

**Key Benefits**

- ▶ 1920 x 1080 native FHD resolution
- ▶ 1.07B colors ( 10-bit )
- ▶ HDMI 1.4 & VGA ;Optional DP, HDMI 2.0 & DVI-D
- ▶ Video decoding capability up to 1080p ( option )
- ▶ Rugged structure ensures high mobility
- ▶ IP65 front protection ( option )
- ▶ Professional-use durability & around-the-clock operation

**Applications**

- Broadcasting / Advertising
- Traffic control / Command center
- Directory / Ticket kiosk
- Surveillance system
- Vehicle mount display
- Bathroom TV

**Options**

**Video Management & Transmission over Network**

- HDMI decoder & extender
- HDMI quad display 1080p
- Multi monitor OSD control module
- 3G / HD / SD-SDI input module
- Portrait mode module
- Auto dimming
- Manual dimming

**Bezel & Frame Customization**

- Dimension
- Color & Treatment
- Screen Printing
- Stainless Steel Bezel

**Touchscreen & Glass Protection**

- Projected Capacitive 10-point Touch
- Infraed 10-point Touch
- IP65 front protection
- Anti-reflective Glass
- Vandal Proof Glass

**DC Power & connector**

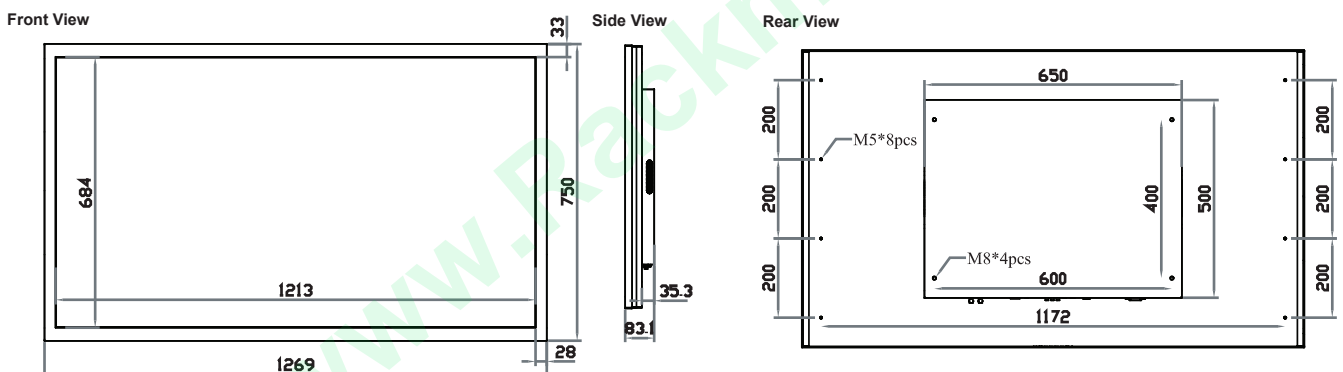
- 12V / 24V / 48V / 110V / 125V / 250VDC
- MIL-type or lockable connector

**Mounting**

- VESA mount kit
- Desktop stand
- Wall mount

**Diagrams ( mm )**

UNIT : mm  
1mm = 0.03937 inch



## Product Specifications

LCD Panel	ID-E55Dw	ID-HE55Dw
Panel size (diagonal)	55"	
Native resolution	1920 x 1080	
Brightness (cd/m <sup>2</sup> )	450	1500
Contrast ratio (typ.)	1200 : 1	4000 : 1
Colors	1.07B, 10-bit	
Viewing angle (L/R/U/D)	89/89/89/89	
Response time (ms)	12	
Dot pitch (mm)	0.315	
Display area (mm)	1209.60H x 680.4V	
Surface treatment	Anti-glare	
Surface hardness	2H	
Backlight type	LED	
MTBF (hrs)	30,000	

Video	
HDMI	HDMI 1.4
VGA	Analog 0.7Vp-p
DVI*	DVI-D single link

Video Option	
Display port	DP1.0 / HDCP 1.3
HDMI	HDMI 2.0 / HDCP 2.2
Composite ( BNC )	NTSC & PAL

Audio	
Audio input :	
Connector	3.5mm stereo jack
Impedance / Power level	30kΩ / 750mV
Audio output :	
Connector	3.5mm stereo jack
Resistance / Power level	30kΩ / 2.8V
Speaker :	
Dual stereo speaker	10W x 2

\*When the audio output is connected, speaker output is OFF

Power	ID-E55Dw	ID-HE55Dw
Input	Auto-sensing 100 to 240VAC, 50 / 60Hz	
Consumption :		
Screen on	Max. 100W	Max. 335W
Power saving mode	Max. 9W	Max. 9W
Power button on	Max. 2W	Max. 2W

Environment	
Operating temp.	0 to 55°C degree
Storage temp.	-20 to 60°C degree
Operating humidity	10-90%, non-condensing
Storage humidity	5 -90%, non-condensing
Operating altitude	16,000 ft
Non-operating altitude	40,000 ft
Shock	10G acceleration ( 11ms duration )
Vibration	10-300Hz 0.5G RMS random vibration

Design	ID-E55Dw / HE55Dw
Protection	front cover
Front panel	Black, RAL 9005
Rear casing	Black, RAL 9005

Mounting	ID-E55Dw / HE55Dw
VESA mount	600 x 400 mm
Universal mount	-
Desktop stand	option
Wall mount	option

Physical	ID-E55Dw / HE55Dw
Product (W x D x H) :	
mm	1269 x 83.1 x 750
inch	50 x 3.3 x 29.5
Net weight	37 kg / 81.4 lb

Compliance	
EMC	FCC & CE certified
Safety	CE / LVD & UKCA
Environment	REACH & RoHS3 / WEEE

DVI-D / VGA input	HDMI input	Display port input
<b>PC signal :</b> 1920 x 1080 x 60Hz 1360 x 768 x 60Hz 1280 x 1024 x 60 / 75Hz 1280 x 960 x 60Hz 1280 x 768 x 60 / 75Hz 1152 x 864 x 75Hz 1024 x 768 x 60 / 70 / 75Hz 848 x 480 x 60Hz 800 x 600 x 60 / 72 / 75Hz 720 x 400 x 70Hz 640 x 480 x 60 / 72 / 75Hz 640 x 400 x 70Hz 640 x 350 x 70Hz	<b>PC signal :</b> Same as VGA  <b>HDMI 1.4 :</b> 1920 x 1080 x 50 / 60Hz 1920 x 1080 x 25 / 30Hz 1280 x 720 x 50 / 60Hz 720 x 480 x 50 / 60Hz	<b>PC signal :</b> 1920 x 1080 x 60Hz 1600 x 1200 x 60Hz 1360 x 768 x 60Hz 1280 x 768 x 60 / 75Hz 1280 x 768 x 60Hz 1024 x 768 x 60 / 70 / 75Hz 800 x 600 x 60 / 72 / 75Hz 720 x 400 x 70Hz 640 x 480 x 60 / 72 / 75Hz
<b>Audio signal :</b> 2ch Linear PCM	<b>Audio signal :</b> 2ch Linear PCM	<b>Audio signal :</b> 2ch Linear PCM