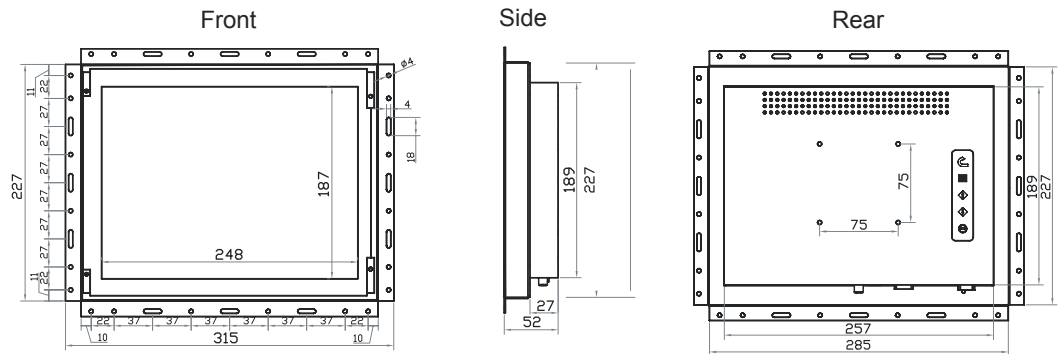


ID-12P 12.1" Open Frame LCD Panel

Dimension Drawings (mm)



Applications

- Industrial process control
- Point of sales / Kiosk
- Security / Surveillance
- Touchscreen display panel

Options

- Touchscreen
- S-Video, RCA & BNC input
- DC power input (12 / 24 / 48 VDC)
- Audio input with speaker
- TV tuner with remote controller
- Standard remote controller for AV, VGA input

Design features

- Industrial open frame kit
- OSD control keys to optimize the display
- Universal mounting for various applications
- Modularized design for flexible integration

Specifications

LCD Panel

Panel Grading	Class A TFT LCD panel
Panel Size (in.)	12.1"
Optimum Resolution	800 x 600
Display Color	262K
Brightness-nits (cd/m ²)	400
Contrast Ratio	500 : 1
Pixel Pitch (mm)	0.308 x 0.308
Viewing Angle (L/R/U/D)	65 / 65 / 50 / 60
OSD Control	Brightness, Contrast, Phase & Clock, Color, H & V position, Auto-tune & Recall
Connector(s)	D-Sub 15 pin VGA analog
LCD Panel MTBF (hrs)	50,000
Power	100~240VAC via AC adapter
Mounting	VESA-mount, Open frame kit and Optional OEM mounting design
Dimensions (mm)	315 x 52 x 257 (W x D x H)



Operating Temperature	0° to 50° C
Storage Temperature	-5° to 60° C
Humidity	5-90%, non-condensing
Shock	10G peak acceleration (11ms duration)
Vibration	5-500Hz, 1G RMS random vibration

Ordering information

Model no.	Description
ID-12P	12.1" open frame LCD panel with VGA input
ID-12PAV	12.1" open frame LCD with VGA, S-Video+RCA input
ID-12PBNC	12.1" open frame LCD with VGA, S-Video+BNC input
ID-12PDC12	12.1" open frame LCD with VGA input, 12V DC input
ID-12PDC24	12.1" open frame LCD with VGA input, 24V DC input
ID-12PDC48	12.1" open frame LCD with VGA input, 48V DC input