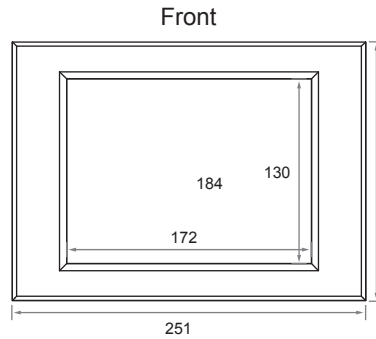


# ID-08A 8.4" Front Aluminum LCD Panel

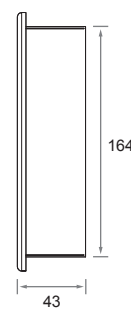
## Dimension Drawings (mm)



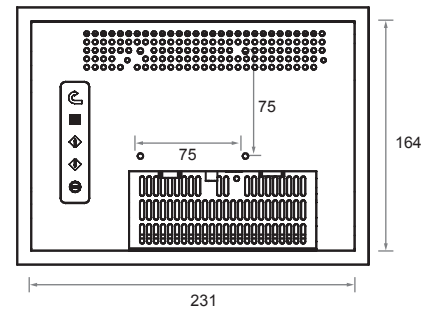
8.4"



Side



Rear



### Applications

- Embedded display unit
- Industrial automation LCD panel
- Gaming, lottery & amusement display
- Touchscreen display panel

### Options

- Touchscreen
- S-Video, RCA & BNC input
- DC power input ( 12 / 24 / 48 VDC )
- Audio input with speaker
- TV tuner with remote controller
- Standard remote controller for AV, VGA input
- NEMA4 / IP65 2mm Protective Glass

### Design features

- 6mm aluminum front bezel with 45° chamfer
- OSD control keys to optimize the display
- Rugged construction against external impact
- Modularized design saves maintenance cost

## Specifications

LCD Panel		Operating Temperature	0° to 50° C
Panel Grading	Class A TFT LCD panel	Storage Temperature	-5° to 60° C
Panel Size (in.)	8.4"	Humidity	5~90%, non-condensing
Optimum Resolution	800 x 600	Shock	10G peak acceleration (11ms duration)
Display Color	262K	Vibration	5-500Hz, 1G RMS random vibration
Brightness-nits (cd/m <sup>2</sup> )	220		
Contrast Ratio	500 : 1		
Pixel Pitch (mm)	0.213 x 0.213		
Viewing Angle (L/R/U/D)	65 / 65 / 65 / 45		
OSD Control	Brightness, Contrast, Phase & Clock, Color, H & V position, Auto-tune & Recall		
Connector(s)	D-Sub 15 pin VGA analog		
LCD Panel MTBF (hrs)	50,000		
Power	100~240VAC via AC adapter		
Mounting	VESA-mount, Mounting bracket and Optional OEM mounting design		
Dimensions (mm)	251 x 43 x 184 (W x D x H)		
		<b>Ordering information</b>	
		Model no.	Description
		ID-08A	8.4" front aluminum LCD panel with VGA input
		ID-08AAV	8.4" front Al. LCD panel with VGA, S-Video+RCA input
		ID-08ABNC	8.4" front Al. LCD panel with VGA, S-Video+BNC input
		ID-08ADC12	8.4" front Al. LCD panel with VGA input, 12V DC input
		ID-08ADC24	8.4" front Al. LCD panel with VGA input, 24V DC input
		ID-08ADC48	8.4" front Al. LCD panel with VGA input, 48V DC input
		-IP65	Add NEMA4 / IP65 Protective Glass