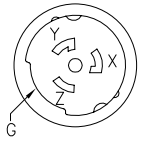


NOTES:

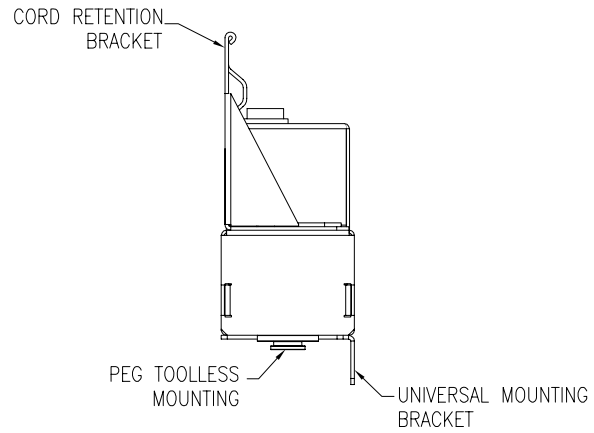
1. ALL DIMENSIONS ARE IN INCHES [MILLIMETERS].
2. NET WEIGHT IS 19.33 LBS [8.79 kg]
3. LENGTH OF THE CORD IS 120 INCHES [3050 mm].
4. UNIVERSAL MOUNTING BRACKET IS AN ALTERNATIVE MOUNTING METHOD TO THE TOOLLESS MOUNT FOR NON APC RACKS.
5. BRACKET KITS TO MOUNT TO SPECIFIC COMPETITORS RACKS ARE AVAILABLE AS OPTIONS.
6. INSTALLATION MUST COMPLY WITH ALL APPLICABLE NATIONAL AND LOCAL CODES.

RAH5036-C-35A-CS-A

DETAILS

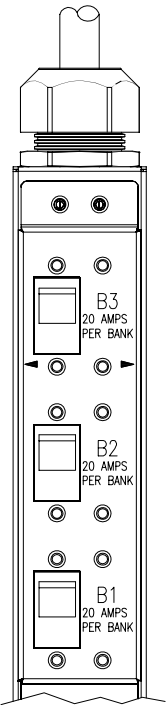
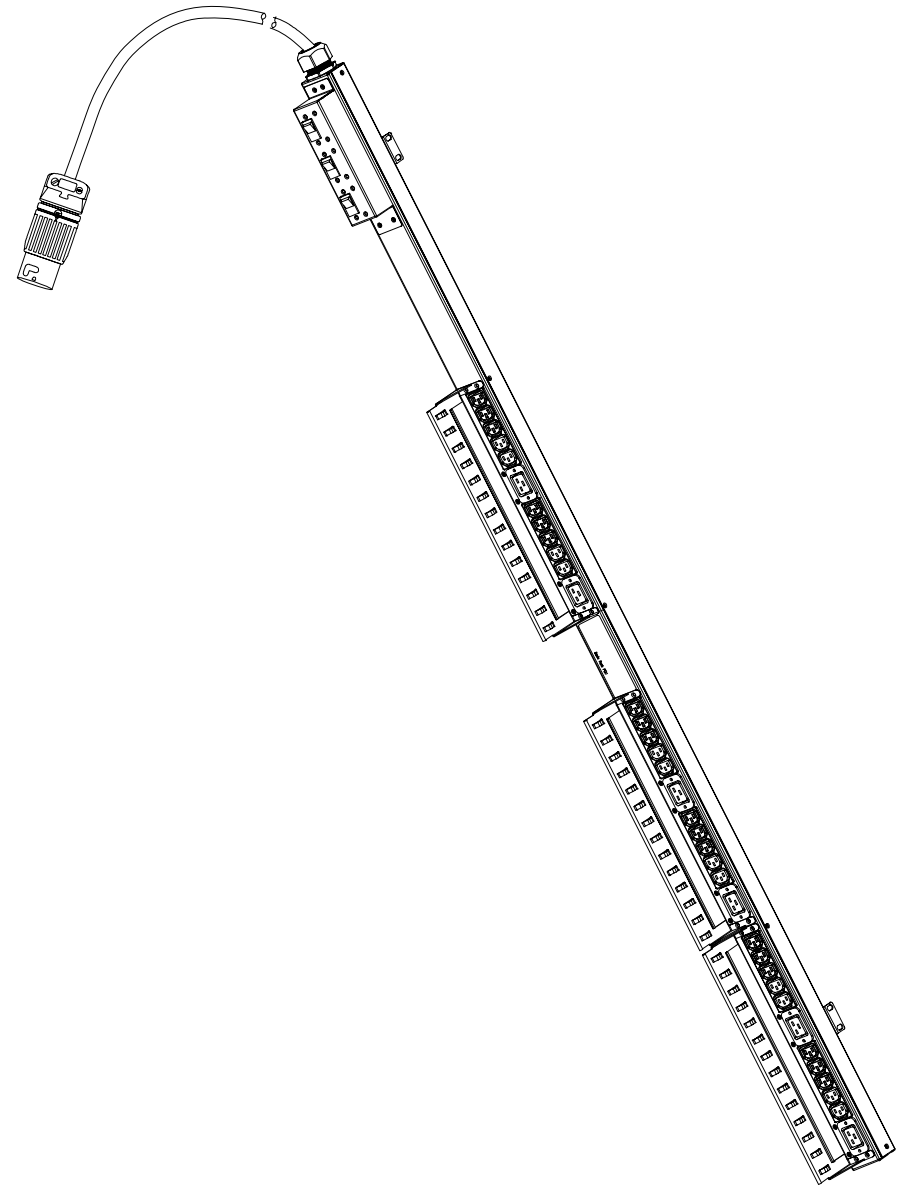


VIEW-A
(CONNECTOR FACE VIEW
CS8365C PLUG-ENLARGED)

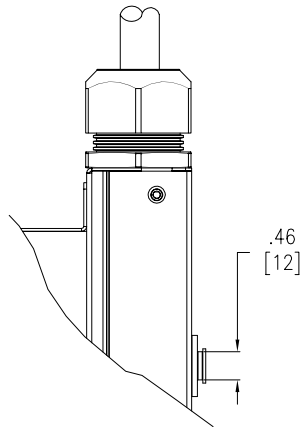


VIEW-B (ENLARGED)

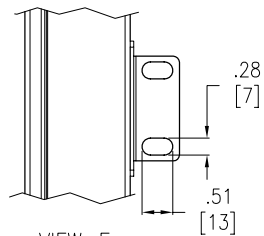
ISOMETRIC VIEW



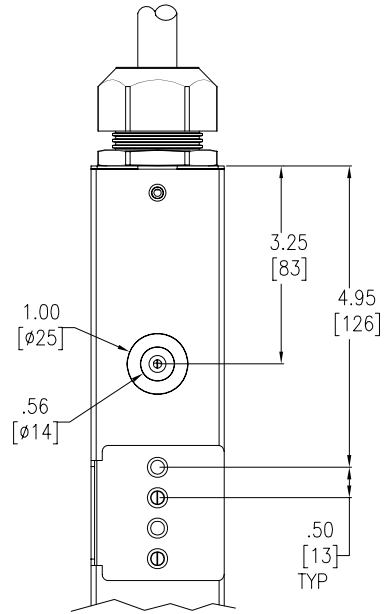
VIEW C (ENLARGED)



VIEW-D (ENLARGED)



VIEW-E
(MOUNTING BRACKET ENLARGED)



VIEW-F (ENLARGED)