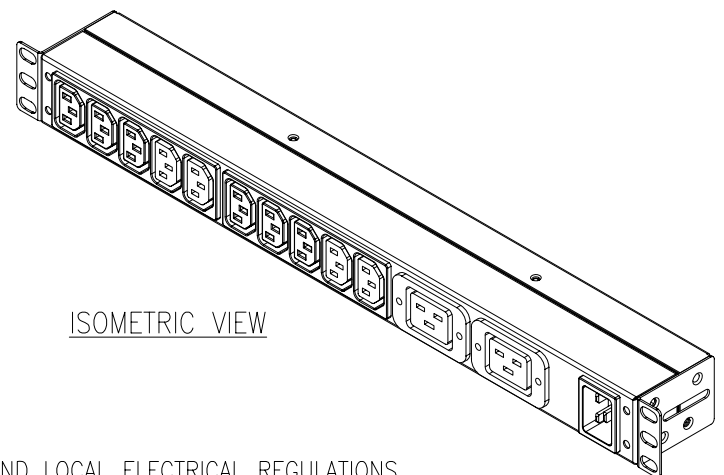
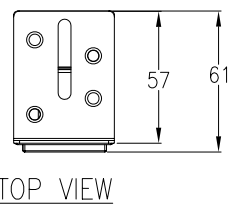
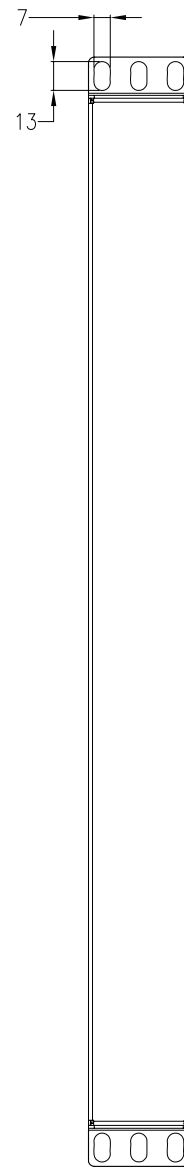
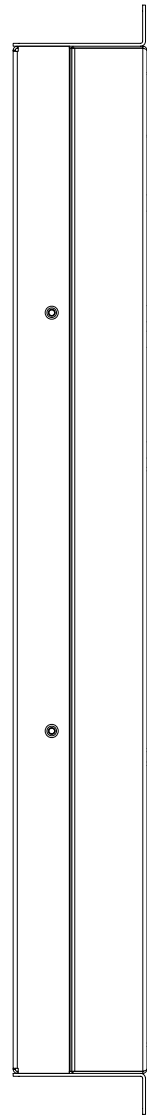
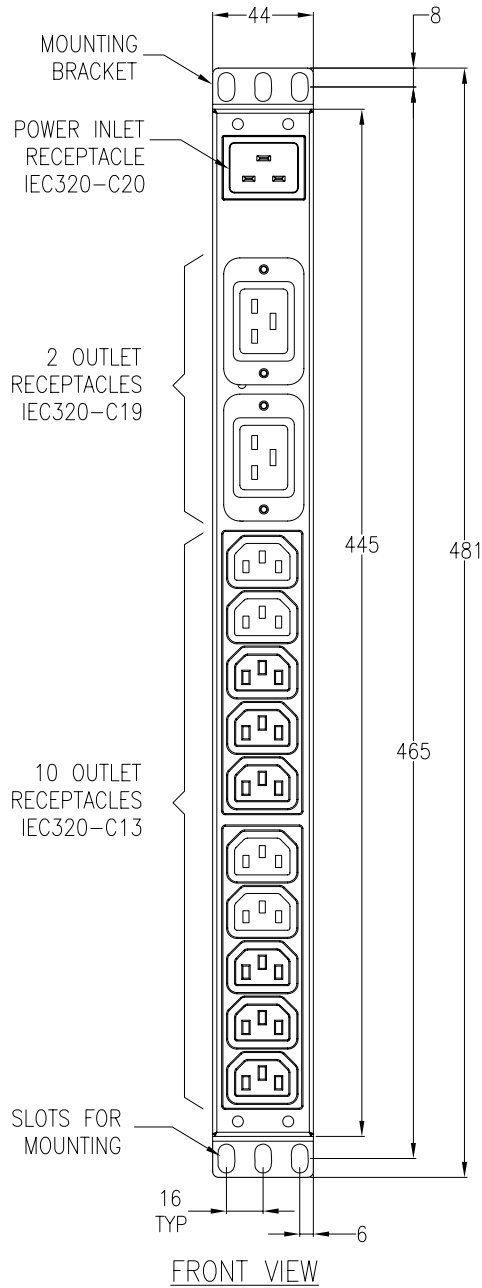


MOUNTING OPTION-1

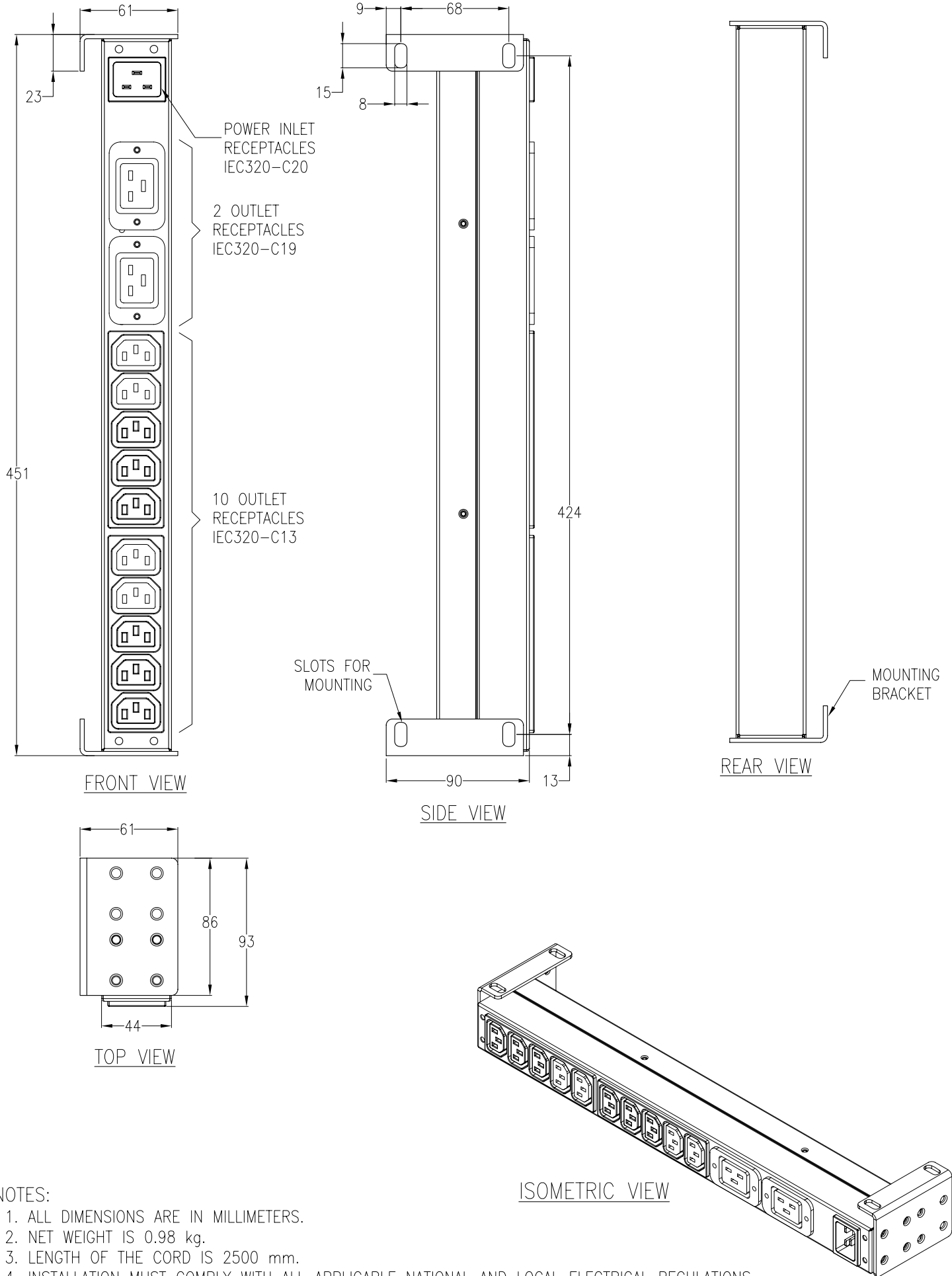


NOTES:

1. ALL DIMENSIONS ARE IN MILLIMETERS.
2. NET WEIGHT IS 0.98 kg.
3. LENGTH OF THE CORD IS 2500 mm.
4. INSTALLATION MUST COMPLY WITH ALL APPLICABLE NATIONAL AND LOCAL ELECTRICAL REGULATIONS.

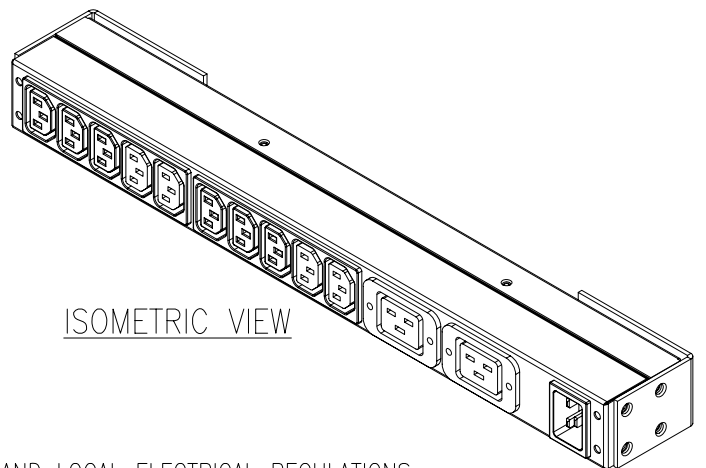
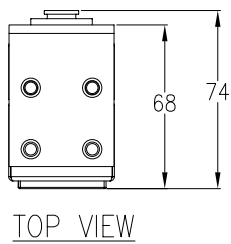
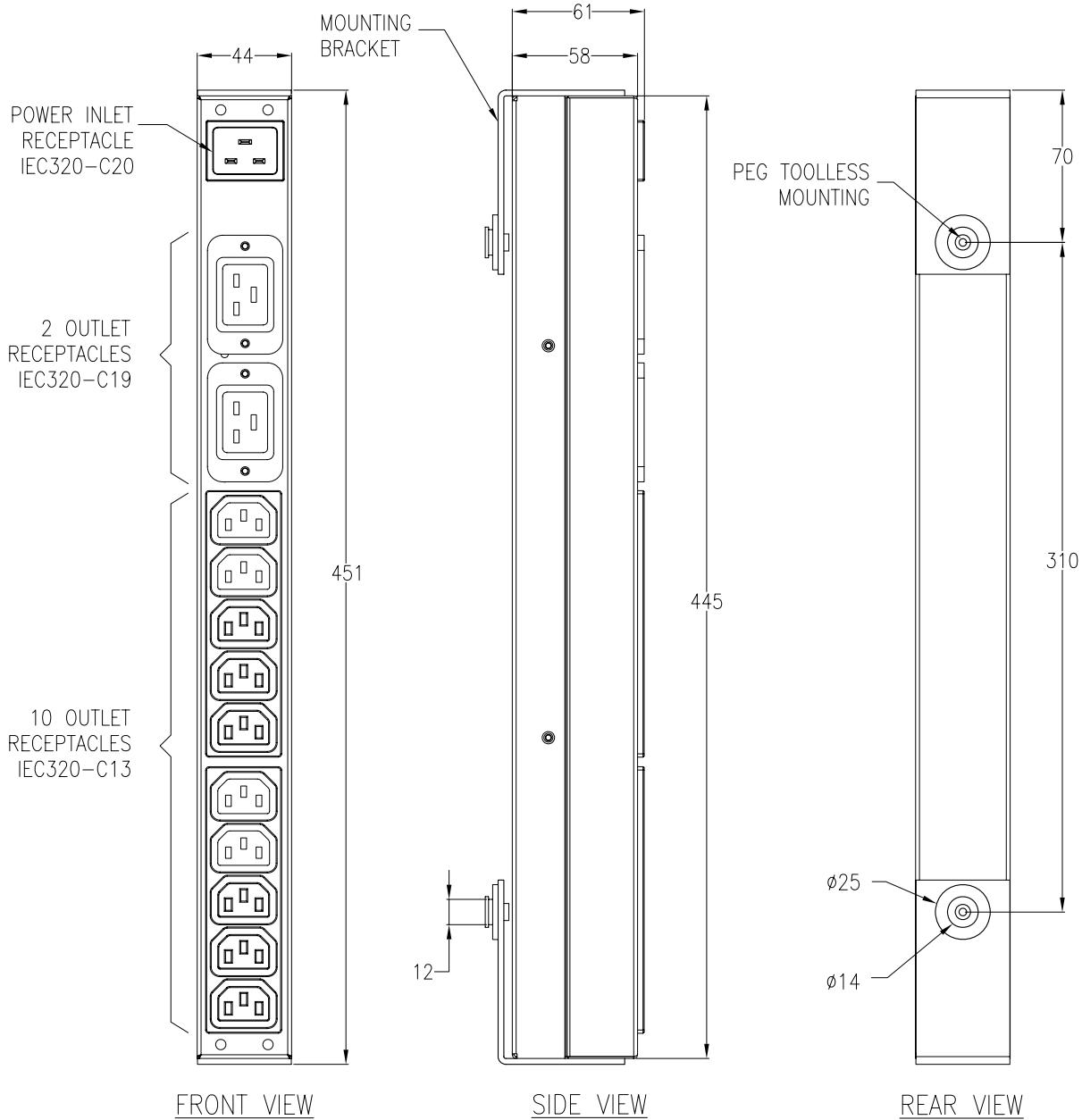
RA5112-C-16A-C20

MOUNTING OPTION-2



RA5112-C-16A-C20

MOUNTING OPTION-3



NOTES:

1. ALL DIMENSIONS ARE IN MILLIMETERS.
2. NET WEIGHT IS 0.98 kg.
3. LENGTH OF THE CORD IS 2500 mm.
4. INSTALLATION MUST COMPLY WITH ALL APPLICABLE NATIONAL AND LOCAL ELECTRICAL REGULATIONS.

RA5112-C-16A-C20