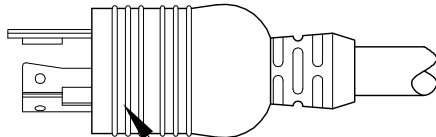
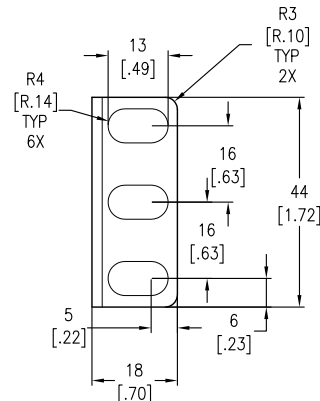


VIEW B
INPUT PLUG

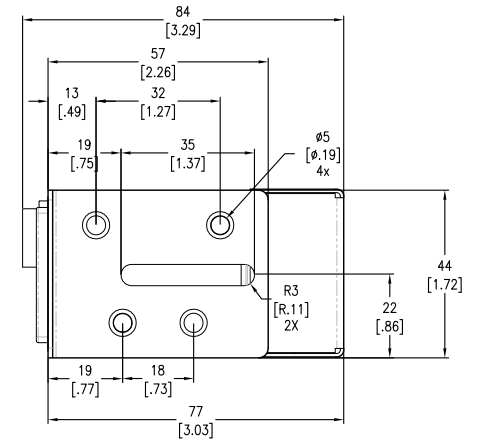


DETAIL A
INPUT PLUG

L6-30P



DETAIL B
MOUNTING BRACKET

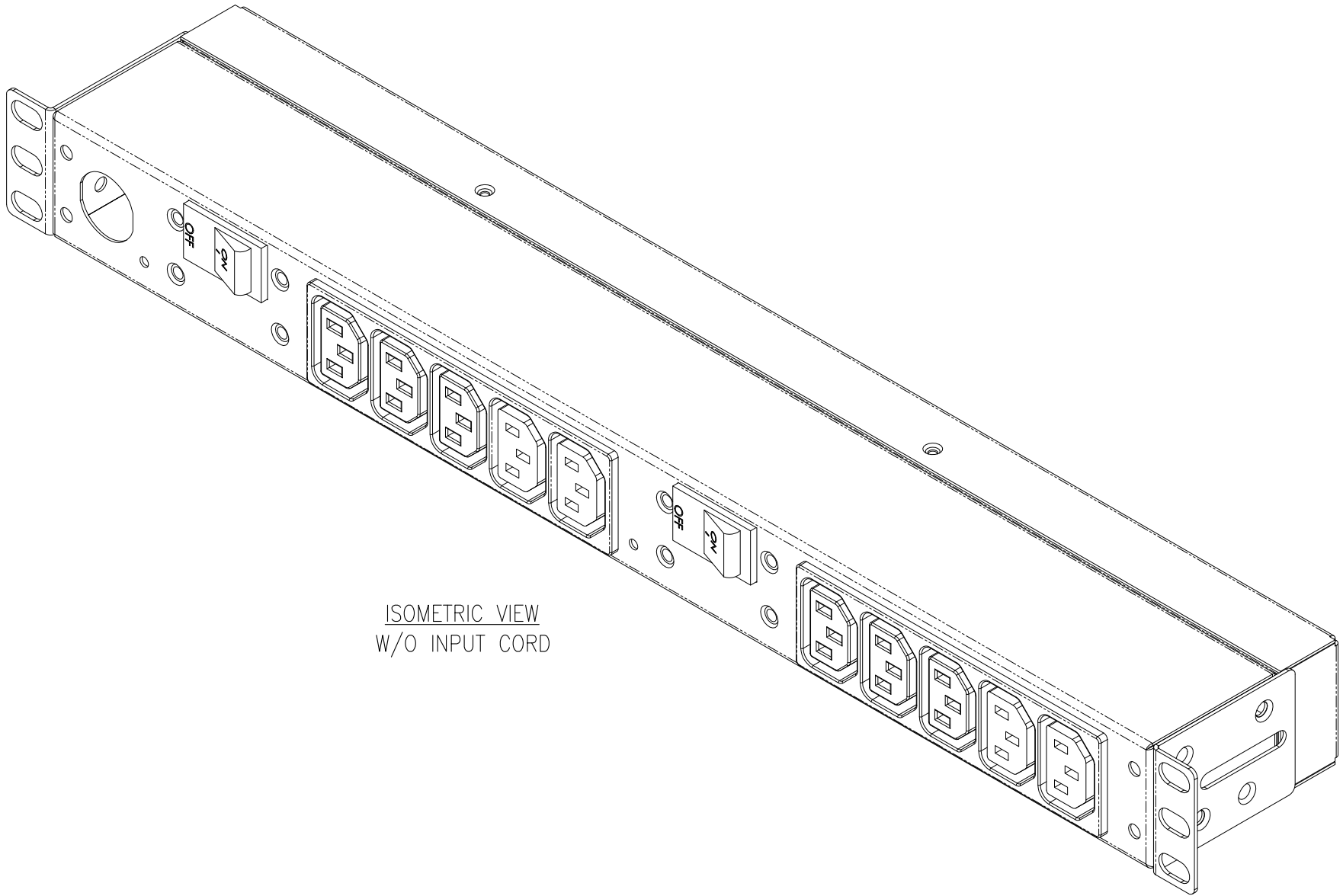


VIEW A
INPUT PLUG

NOTES:

1. INSTALLATION SHALL COMPLY WITH ALL APPLICABLE NATIONAL, STATE AND LOCAL CODES.
2. SEE PRODUCT DOCUMENTATION FOR FURTHER INFORMATION
3. UNLESS OTHERWISE SPECIFIED, ALL DIMENSIONS ARE IN MILLIMETERS [INCHES].
4. NET WEIGHT IS 2.55KG [5.60 LBS]
5. CORD LENGTH IS 3.66 METERS [12 FT]
6. BRACKET KITS TO MOUNT IN SPECIFIC COMPETITORS RACKS ARE AVAILABLE AS OPTIONS.

RA5110-C13-30A-L630



ISOMETRIC VIEW
W/O INPUT CORD

NOTES:
1. SEE SHEET 1

RA5110-C13-30A-L630

 **Synergy Global Technology Inc**
www.RackmountMart.com