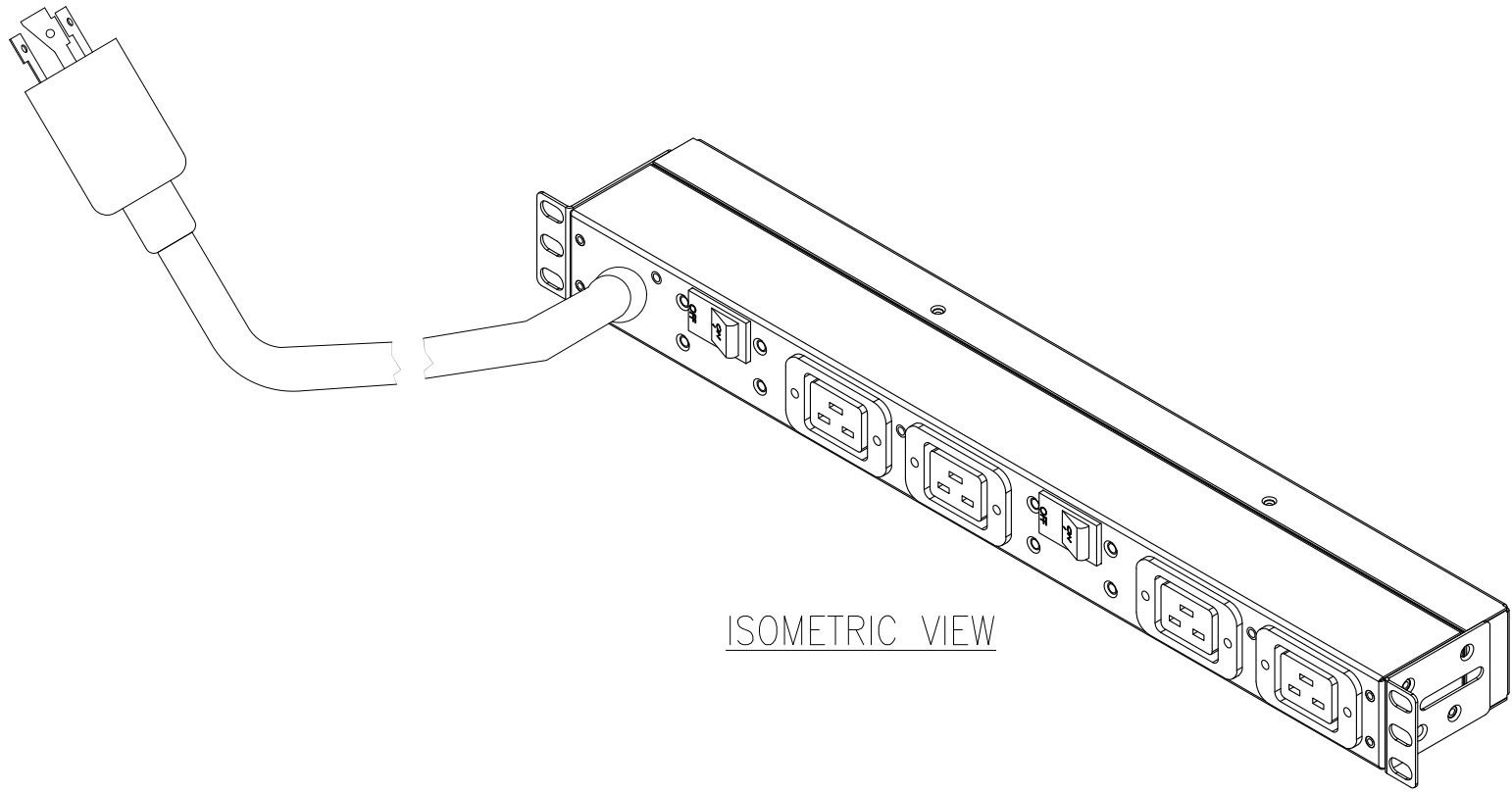


NOTES:

1. INSTALLATION SHALL COMPLY WITH ALL APPLICABLE NATIONAL, STATE AND LOCAL CODES.
2. PLEASE REFER TO APC PRODUCT MANUAL.
3. ALL DIMENSIONS ARE IN INCHES [MILLIMETERS].
4. NET WEIGHT IS 6.00 LBS, [2.72 kg].
5. UNIT CAN BE MOUNTED HORIZONTALLY OR VERTICALLY.

RA5104-C19-30A-L630



ISOMETRIC VIEW