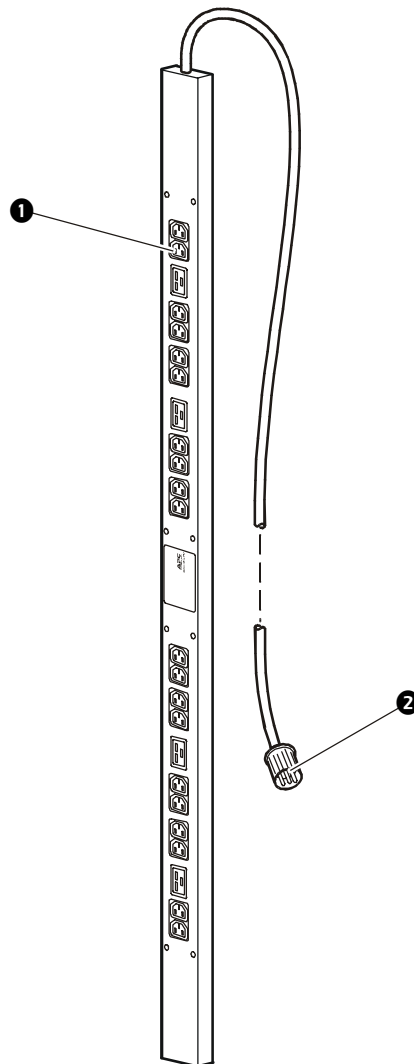


Rack Power Distribution Unit

General Information

Description

This booklet provides information on installing and operating the Rack Power Distribution Units (PDUs).



RA5024-520-20A-L520 **RA5024-C-20A-L620**

- | | | |
|----------|----------------------|--|
| 1 | 24 NEMA 5-20 outlets | 20 IEC 320 C13 outlets,
4 IEC 320 C19 outlets |
| 2 | NEMA L5-20 plug | NEMA L6-20 plug |

Inventory

Quantity	Item
2	Cord retention tray (with 8 flat-head screws and 24 wire ties)
2	Mounting brackets (with 4 flat-head screws)
1	Warranty registration card

Receiving inspection

Inspect the package and contents for shipping damage, and make sure that all parts were sent. Report any damage immediately to the shipping agent, and report missing contents, damage, or other problems immediately to us.

Please recycle

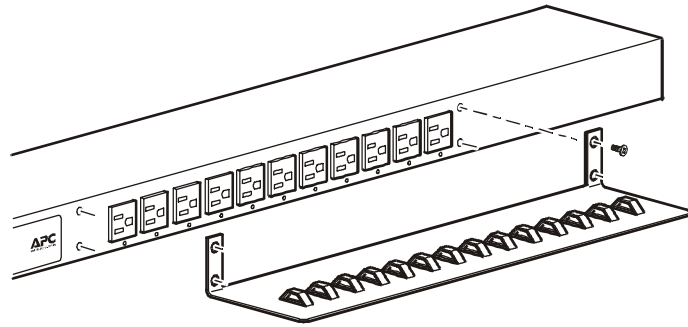


The shipping materials are recyclable. Please save them for later use, or dispose of them appropriately.

How to Install the Rack PDU

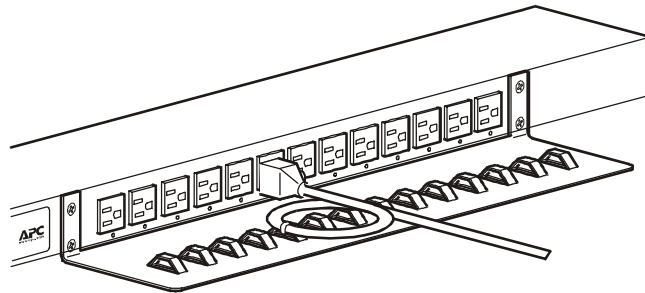
Attach the cord retention trays

Attach the cord retention trays to the Rack PDU, using four flat-head screws (provided) per tray.



Attach cords to the tray

Attach a cord to the tray by looping the cord and securing it to the tray, using a wire tie (provided).



Note

Each cord must be secured to the tray so that you can unplug it from the Rack PDU without removing the wire tie.

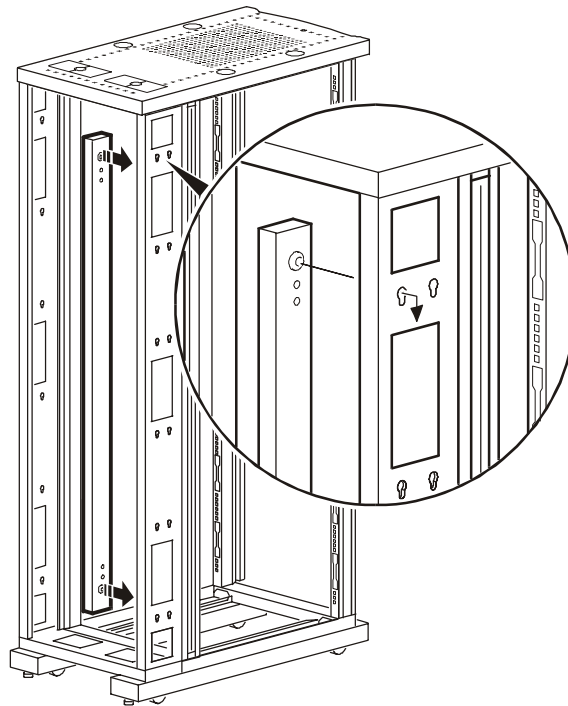
Mounting options

You can install the Rack PDU in one of two ways: using toolless mounting pegs (provided) or the mounting brackets (provided).

- To install the Rack PDU using the toolless mounting method, install it in the rear of the NetShelter VX Enclosure, in the cable channel directly behind the rear vertical mounting rails.
- To install the Rack PDU using the mounting brackets, install it on a vertical mounting rail on your rack or enclosure.

Toolless mounting

1. Slide the mounting pegs into the holes located in the channel in the rear panel of the enclosure.
2. Snap the Rack PDU into place by pushing it downward until it locks into position.



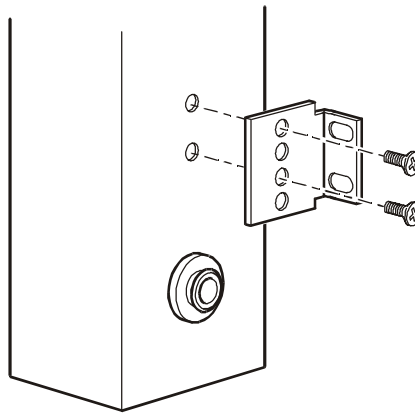
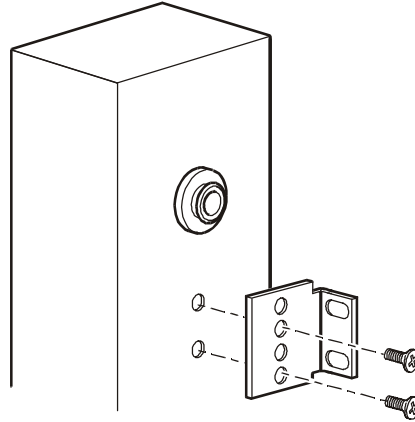
Note

You can mount two Rack PDUs on one side of the enclosure by using the toolless mounting method.

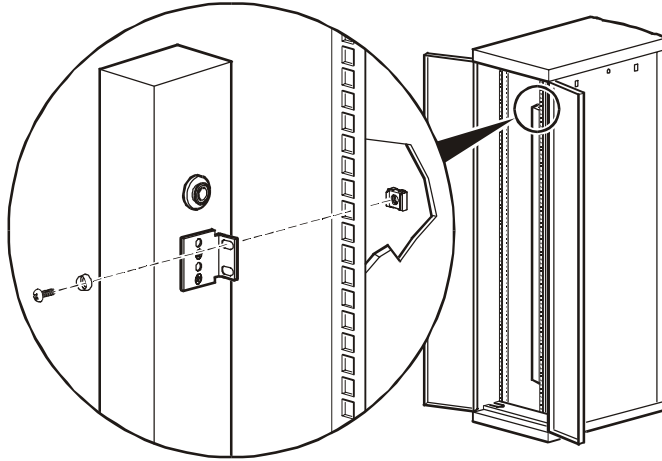
Bracket-mounting

To mount the Rack PDU vertically in a NetShelter[®] or any standard EIA-310 rack or enclosure:

1. Attach the vertical-mounting brackets to the Rack PDU.



2. Install the Rack PDU on a vertical mounting rail in your rack or enclosure.



Specifications

Electrical

	RA5024-520-20A-L520	RA5024-C-20A-L620
Nominal input voltage	120 V	208 V
Acceptable input voltage	± 10% Nominal input voltage	
Input frequency	47–63 Hz	
Cord length	10 ft	
Input connectors	NEMA L5-20 plug	NEMA L6-20 plug
Output connectors	24 NEMA 5-20 outlets	20 IEC 320 C13; 4 IEC 320 C19 outlets
Maximum total current draw	16 A	

Physical

Size (H × W × D)	63.75 × 2.19 × 1.73 in (161.92 × 5.56 × 4.39 cm)
Weight	10 lb (4.54 kg)

Environmental

Elevation (above MSL)	
Operating	0–15 000 ft (0–4500 m)
Storage	0–50 000 ft (0–15 000 m)
Temperature	
Operating	–5 to 45° C (23 to 115° F)
Storage	–25 to 65° C (–13 to 149° F)
Humidity	
Operating	5–95% RH, Non-condensing
Storage	5–95% RH, Non-condensing

Compliance

Safety verification	UL, cUL 60950
---------------------	---------------
