

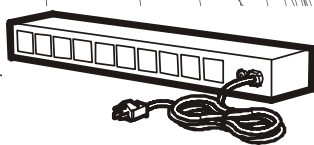


Synergy Global Technology Inc

www.RackmountMart.com

Installation

Basic Rack Power Distribution Unit



Contents

Preliminary Information	1
Overview	1
Receiving	1
Inventory	1
Please recycle	1
How to Install the Rack PDU	2
Mounting options	2
Toolless mounting	2
Bracket mounting	3

Preliminary Information

Overview

This booklet provides information for installing Basic Rack Power Distribution Units (Rack PDUs).

Receiving

Inspect the package and contents for shipping damage, and make sure that all parts were sent. Immediately report any shipping damage to the shipping agent. Report missing contents, product damage, or other problems with the product to us.

Inventory

Quantity	Item
1	Basic Rack PDU
2	Vertical-mounting brackets (870-8473)
8	8-32 flat-head screws

Please recycle



The shipping materials are recyclable. Please save them for later use, or dispose of them appropriately.

How to Install the Rack PDU

Mounting options

You can install the Rack Power Distribution Unit (Rack PDU) in one of two ways: using toolless mounting pegs (provided) or the vertical-mounting brackets (provided).

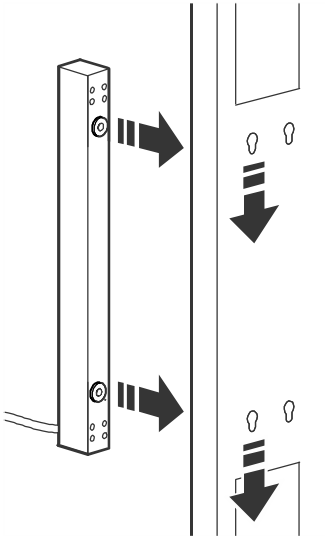
- To install the Rack Power Distribution Unit (Rack PDU) using the toolless mounting method, install it in the rear of the NetShelter[®] VX Enclosure, in the cable channel directly behind the rear vertical-mounting rails.
- To install the Rack Power Distribution Unit (Rack PDU) using the mounting brackets, install it on a vertical-mounting rail in the rack or enclosure.

Toolless mounting



Note: In order to mount the Rack PDU using the toolless mounting option, you must install it in a NetShelter VX Enclosure.

1. Slide both mounting pegs into the holes located in the cable channel in the rear panel of the enclosure.
2. Snap the Rack PDU into place by pushing it downward until it locks into position.



Note: You can mount two PDUs on one side of the enclosure by using the toolless mounting method.

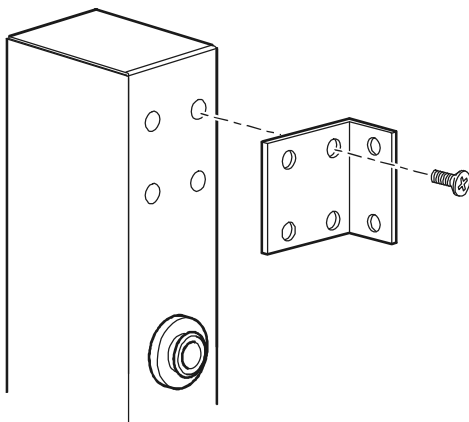
Bracket mounting

To mount the Main Module vertically in a NetShelter or any standard EIA-310-D rack or enclosure:

1. Attach the vertical-mounting brackets to the Main Module, using four 8-32 flat-head screws per bracket.



Note: Use only supplied screws.



2. Attach the PDU to a vertical-mounting rail in the rear of the enclosure using two additional screws per bracket (not provided).

