



LCD1U19-29 is cost efficient industrial level input solution, easy to install and use. It also optimizes your space utilization by maintaining your system in just 1U rack space.

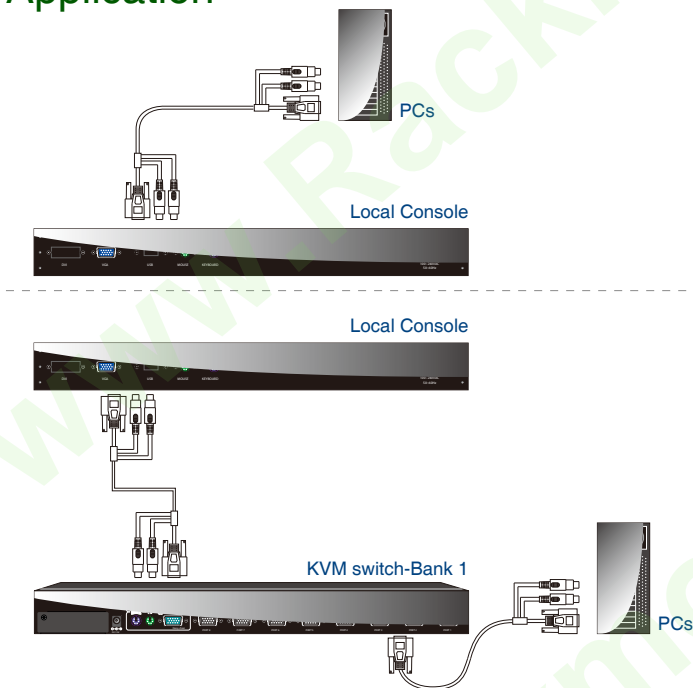
Single Rail	18.5" TFT LCD	Full HD	18 Various Keyboard	HDMI Input
-------------	---------------	---------	---------------------	------------

Full HD
1920x1080

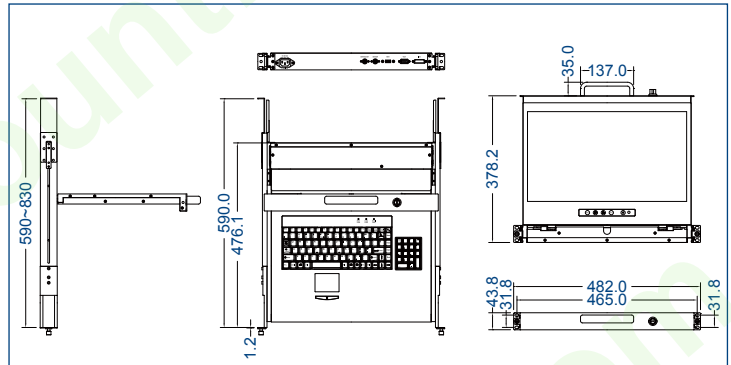
Features

- Support 1920 x 1080 Full HD resolution
- Single rail easy to install and use
- Support 18 various keyboard languages
- Bright Active Matrix TFT display
- OSD function (On Screen Display) for LCD display
- Durable keyboards (touchpad or trackball)

Application



Dimension (Single Port)



Specification

Model Name	LCD1U19-29	
Number of ports	1	
Dimension	476.1 x 482.0 x 43.8 mm / 18.63 x 18.98 x 1.72 inches	
Net Weight	12.5 Kg / 27.6 lbs	
Display Size	18.5 inches	
Panel Type	Active Matrix TFT LCD	
Resolution Capabilities	Maximum Resolution up to 1920 x 1080 (Full HD)	
Pixel Pitch	Supports 0.213 mm x 0.213 mm	
Viewing Angle (CR>10)	Right-Left View 178° (Typ) Up-Down View 178° (Typ)	
Contrast Ratio	1000 : 1	
Brightness	White 350 cd/m ² (Typ)	
Back Light	Dual Lamps for Back Light	
Response Time	Rising Time 10 ms, Decay Time 10 ms	
Operating System	Dos, Windows (3.1, 9x, 2000, NT4, ME, XP, 2003 Server) Linux, Novell 3.12-6, HP UX, SUN	
Connectors	PC Port / Daisy Chain Connectors	1 x VGA HDBB 15-pin 2 x PS/2 Mini Din 6-pin
	Power Connector	1 x AC Inlet
Signal Cable	VGA	
Keyboard Mouse	106 key PS/2 keyboard with touch pad	
Sync	45 ~ 80 KHz	
Power Source	100 ~ 240 VAC input	
Power Consumption	16.5W for Panel	
Temperature	Operate -20 ~ 70 °C / -4 ~ 158 °F Storage -20 ~ 70 °C / -4 ~ 158 °F	
Humidity	10% ~ 90% RH	
Chassis Construction	Heavy duty steel materials	
Keyboard Language	US, UK, German, French, Spanish, Italian, Hebrew Portuguese, Dutch, Swiss, Belgium, Swedish, Norwegian, Danish, Japanese, Mandarin, Russian, Arabic	

Options (Single Port)

- Color (Beige / OEM color)
- Cherry keyboard with trackball(PS/2 only)
- DC power (12V / 24V / 48V / 110V / 125V)
- USB Keyboard / Mouse
- Rear bracket extension up to 1030mm
- Audio function
- DVI Input
- HDMI Input
- Front USB HUB