

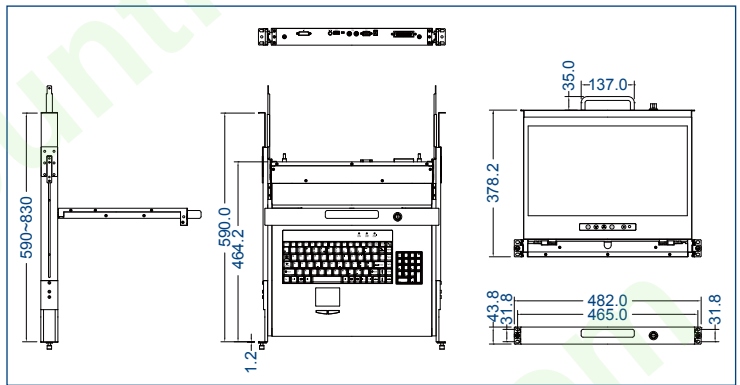


LCD1U19-28 is cost efficient industrial level input solution, easy to install and use. It also optimizes your space utilization by maintaining your system in just 1U rack space.

Single Rail	Modular Design KVM Switch	18.5" TFT LCD	Full HD	18 Various Keyboard	HDMI Input
-------------	---------------------------	---------------	---------	---------------------	------------

Full HD
1920x1080

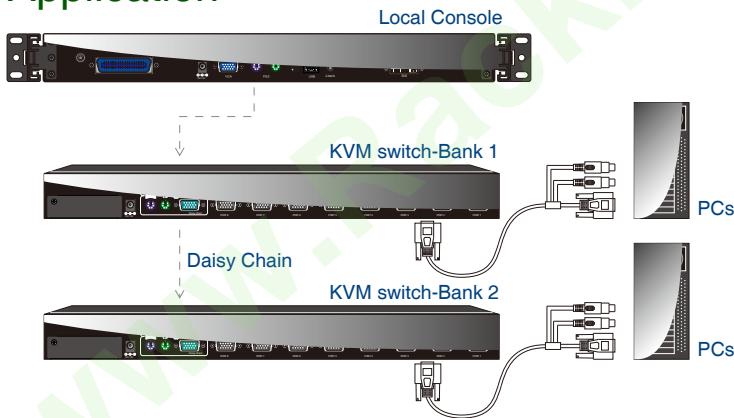
Dimensions



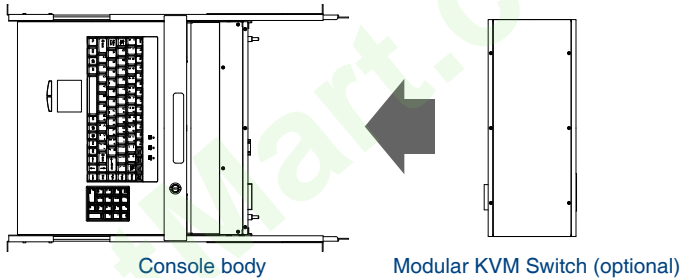
Features

- Support 1920 x 1080 Full HD resolution
- Support 18 various keyboard languages
- OSD function (On Screen Display) for LCD display
- Durable keyboards (touchpad or trackball)

Application



Usage Diagram



I/O Diagram



- | | |
|------------------|-----------------------------|
| 1. KVM dock | 6. PS/2-USB Select |
| 2. DC in | 7. USB Keyboard Mouse port |
| 3. VGA port | 8. Audio line in (optional) |
| 4. PS/2 keyboard | 9. DVI port (optional) |
| 5. PS/2 mouse | |

* Regarding the optional KVM switch modules specification, please refer the datasheet of modular KVM switch.

Options

- Finger Print Scanner
- DVI Port
- HDMI Input

Specifications

Model Name	LCD1U19-28
System Connections	1
Dimension	464.2 x 482.0 x 43.8 mm / 18.5 x 19.0 x 1.7 inches
Resolution Capabilities	max. 1920 x 1080 (Full HD)
Display Size	18.5 inches Full HD
Panel Type	TFT LCD
Pixel Pitch	Supports 0.213 (H)mm x 0.213 (V)mm
Active Display Area	Horizontal: 480.96 mm Vertical: 230.04 mm
Viewing Angle (CR>10)	Right-Left View 178° (Typ) Up-Down View 178° (Typ)
Contrast Ratio	1000 : 1
Brightness	350 cd/m ²
Back Light	Dual Lamps for Back Light
Response Time	Rise Time 10 ms , Falling Time 10 ms
Power Consumption	Total 16.5W (Max.)
Operating System	Dos, Unix, Linux, OSX, Windows (XP, 7, 8, Server 2012 R2)
Keyboard Language	US, UK, German, French, Spanish, Italian, Dutch, Portuguese, Swiss, Belgium, Swedish, Norwegian, Danish, Russian, Hebrew, Arabic, Japanese, Mandarin