



### Key Benefits

- ▶ 1920 x 1080 native Full HD resolution
- ▶ 16.7M colors (8-bit)
- ▶ High brightness panel 1000nits ( option )
- ▶ DVI-D / VGA video input
- ▶ HDMI / Display port video input ( option )
- ▶ Video decoding capability up to 1080p ( option )
- ▶ Rugged structure ensures high mobility
- ▶ Universal mount
- ▶ Professional-use durability & around-the-clock operation

### Applications

- Broadcasting / Advertising
- Traffic control / Command center
- Directory / Ticket kiosk
- Surveillance system
- Vehicle mount display
- Bathroom TV

## Options

### Video Management & Transmission over Network

- HDMI Decoder Module 1080p over IP
- HDMI Receiver Module 1080p
- Multi Monitor OSD Control Module over serial
- 3G / HD / SD-SDI Input Module
- Auto / Manual Brightness Dimming Module (for High Bright model)

### Bezel & Frame Customization

- Dimension
- Color & Treatment
- Screen Printing
- Stainless Steel Bezel

### Touchscreen & Glass Protection

- Resistive 1-point Touch
- Projected Capacitive 10-point Touch
- Anti-reflective Glass
- Vandal Proof Glass

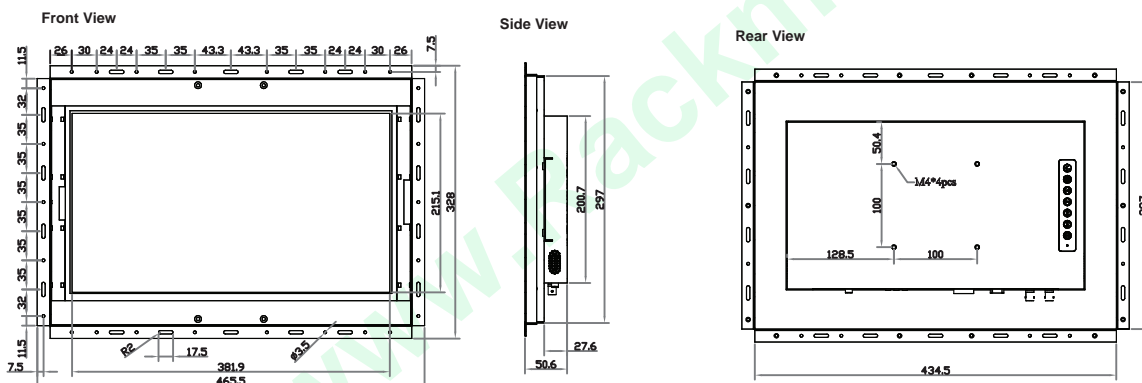
### DC Power & connector

- 12V / 24V / 48V / 110V / 125V / 250VDC
- MIL-type or lockable connector

### Mounting

- VESA mount kit

## Diagrams ( mm )



## Product Specifications

LCD Panel	ID-2-E17Pw	ID-2-HE17Pw
Panel size (diagonal)	17.3"	
Native resolution	1920 x 1080	
Brightness (cd/m <sup>2</sup> )	300	1000
Contrast ratio (typ.)	1000 : 1	600 : 1
Colors	16.7 M, 8-bit	16.7M, 6-bit
Viewing angle (L/R/U/D)	85/85/85/85	80/80/60/80
Response time (ms)	25	40
Dot pitch (mm)	0.1989	
Display area (mm)	381.888H x 214.812V	
Surface treatment	Anti-glare, Hard-coating	Hard-coating
Surface hardness	3H	
Backlight type	LED	
MTBF (hrs)	15,000	50,000

Video	
VGA	Analog 0.7Vp-p
DVI	DVI-D single link

Video Option	
Display port	DP1.0 / HDCP 1.3
HDMI	HDMI 1.4 / HDCP 1.4
Composite (BNC)	NTSC & PAL

Audio ( option )	
Audio input :	
Connector	3.5mm stereo jack
Impedance / Power level	30kΩ / 750mV
Audio output :	
Connector	3.5mm stereo jack
Resistance / Power level	30kΩ / 2.8V
Speaker :	
Dual stereo speaker	2W x 2

\*When the audio output is connected, speaker output is OFF

Power	ID-2-E17Pw	ID-2-HE17Pw
Input	Auto-sensing 100 to 240VAC, 50 / 60Hz	
Consumption :		
Screen on	Max. 14W	Max. 39W
Power saving mode	Max. 2W	Max. 2W
Power button on	Max. 1W	Max. 1W

Environment	
Operating temp.	0 to 55°C degree
Storage temp.	-20 to 60°C degree
Operating humidity	10~90%, non-condensing
Storage humidity	5~90%, non-condensing
Operating altitude	16,000 ft
Non-operating altitude	40,000 ft
Shock	10G acceleration ( 11ms duration )
Vibration	10~300Hz 0.5G RMS random vibration

Design	ID-2-E17Pw / HE17Pw
Protection	Open frame
Front panel	Black, RAL 9005
Rear casing	Black, RAL 9005

Mounting	ID-2-E17Pw / HE17Pw
VESA mount	100 x 100 mm
Universal mount	bundled
Desktop stand	option
Wall mount	option

Physical	ID-2-E17Pw / HE17Pw
Product (W x D x H) :	
mm	465.5 x 50.6 x 328
inch	18.3 x 2 x 12.9
Net weight	3.4 kg / 7.5 lb

Compliance	
EMC	FCC & CE
Safety	CE / LVD & UKCA
Environment	REACH & RoHS3 / WEEE

Applicable Format			
DVI-D / VGA Input	PC Signal	:1920 x 1080 x 60Hz	
		:1680 x 1050 x 60Hz	
		:1440 x 900 x 60Hz	
		:1360 x 768 x 60Hz	
		:1280 x 1024 x 60Hz	
		:1280 x 768 x 60Hz	
		:1280 x 720 x 60Hz	
		:1152 x 864 x 60Hz	
		:1024 x 768 x 60Hz	
		:800 x 600 x 60Hz	
		:640 x 480 x 60Hz	
		Audio Signal	:2ch Linear PCM
		HDMI Input	PC Signal
HDMI 1.4			
:1920 x 1080 x 50 / 60Hz ( 1080p )			
:1920 x 1080 x 25 / 30Hz ( 1080i )			
:1280 x 720 x 50 / 60Hz ( 720p )			
Audio Signal	:2ch Linear PCM		
Display port Input	PC Signal	:1920 x 1080 x 60Hz	
		:1680 x 1050 x 60Hz	
		:1440 x 900 x 60Hz	
		:1360 x 768 x 60Hz	
		:1280 x 1024 x 60Hz	
		:1280 x 768 x 60Hz	
		:1280 x 720 x 60Hz	
		:1152 x 864 x 60Hz	
		:1024 x 768 x 60Hz	
		:800 x 600 x 60Hz	
		:640 x 480 x 60Hz	
		Audio Signal	:2ch Linear PCM