

**Key Benefits**

- ▶ 1440 x 900 native resolution
- ▶ 16.7 M colors
- ▶ DVI-D + VGA video input
- ▶ Video decoding capability up to 1080p ( option )
- ▶ Rugged structure ensures high mobility
- ▶ IP65 front protection ( option )
- ▶ Professional-use durability & around-the-clock operation
- ▶ 1000 nits High Brightness panel (option)

**Applications**

- Broadcasting / Advertising
- Traffic control / Command center
- Directory / Ticket kiosk
- Surveillance system
- Vehicle mount display
- Bathroom TV

**Options****Video Management & Transmission over Network**

- HDMI decoder & extender
- HDMI quad display 1080P
- Multi Monitor OSD Control Module
- 3G / HD / SD-SDI Input Module
- Auto / Manual Brightness Dimming Module (for High Bright model)

**Bezel & Frame Customization**

- Dimension
- Color & Treatment
- Screen Printing
- Stainless Steel Bezel

**Touchscreen & Glass Protection**

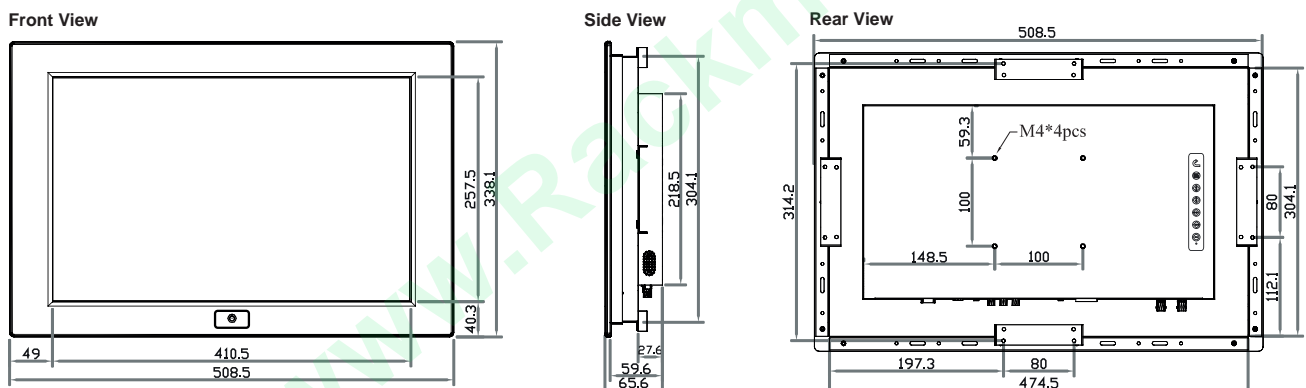
- Resistive 1-point Touch
- IP65 front protection
- Anti-reflective Glass
- Vandal Proof Glass

**DC Power & connector**

- 12V / 24V / 48V / 110V / 125V / 250VDC
- MIL-type or lockable connector

**Mounting**

- VESA mount kit
- Desktop stand
- Wall mount

**Diagrams ( mm )**

## Product Specifications

LCD Panel	Standard	High Brightness (option)
Brightness (cd/m <sup>2</sup> )	250	1000
Contrast ratio (typ.)	1000 : 1	
MTBF (hrs)	30,000	50,000
Panel size (diagonal)	19"	
Native resolution	1440 x 900	
Colors	16.7M	
Viewing angle (L/R/U/D)	85/85/80/80	80/80/80/80
Response time (ms)	5	
Dot pitch (mm)	0.2835	
Display area (mm)	408.24H x 255.15V	
Surface treatment	Anti-glare	Haze 25% Hard-coating
Surface hardness	3H	
Backlight type	LED	

Video	
VGA	Analog 0.7Vp-p
DVI	DVI-D single link

Video Option	
HDMI	HDMI 1.3 / HDCP 1.3
Composite ( BNC )	NTSC & PAL
S-Video ( 4-pin )	NTSC & PAL

Audio	
Audio input :	
Connector	3.5mm stereo jack
Impedance / Power level	30kΩ / 750mV
Audio output :	
Connector	3.5mm stereo jack
Resistance / Power level	30kΩ / 2.8V
Speaker :	
Dual stereo speaker	2W x 2

\*When the audio output is connected, speaker output is OFF

Power	Standard	High Brightness (option)
Input	Auto-sensing 100 to 240VAC, 50 / 60Hz	
Consumption :		
Screen on	Max. 20W	Max. 34W
Power saving mode	Max. 4W	Max. 4W
Power button on	Max. 1W	Max. 1W

Environment	
Operating temp.	0 to 55°C degree
Storage temp.	-20 to 60°C degree
Operating humidity	20-90%, non-condensing
Storage humidity	5 -90%, non-condensing
Operating altitude	16,000 ft
Non-operating altitude	40,000 ft
Shock	10G acceleration ( 11ms duration )
Vibration	10-300Hz 0.5G RMS random vibration

Design	ID-19Aw	ID-19AwN
Protection	6mm front bezel	NEMA 4 / IP65
Front panel	Black, RAL 9005	
Rear casing	Black, RAL 9005	

Mounting	ID-19Aw / ID-19AwN
VESA mount	100 x 100 mm
Universal mount	-
Desktop stand	option
Wall mount	option

Physical	ID-19Aw / ID-19AwN
Product (W x D x H) :	
mm	508.5 x 65.6 x 338.1
inch	20 x 2.6 x 13.3
Net weight	7 kg / 15.4 lb

Compliance	
EMC	FCC & CE certified
Safety	CE / LVD certified
Environment	RoHS3 & REACH compliant

VGA / DVI input	
PC signal	1440 x 900 x 60Hz 1280 x 1024 x 60 / 75Hz 1280 x 960 x 60Hz 1280 x 768 x 60 / 75Hz 1152 x 864 x 75Hz 1024 x 768 x 60 / 70 / 75Hz 848 x 480 x 60Hz 800 x 600 x 60 / 72 / 75Hz 720 x 400 x 70Hz 640 x 480 x 60 / 72 / 75Hz 640 x 400 x 70Hz 640 x 350 x 70Hz
Audio signal	2ch Linear PCM

HDMI input	
PC signal	Same as VGA
HDMI 1.3 / 1.2	1280 x 720 x 50 / 60Hz ( 720p ) 720 x 480 x 50 / 60Hz ( 576p / 480p )
Audio signal	2ch Linear PCM