

## Universal open frame mounting



## Display Benefits

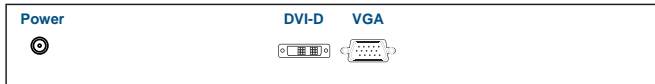
- ▶ 19" LCD with resolution 1280 x 1024
- ▶ Green LED-backlit panel technology
- ▶ Rugged construction against external impact

## Options

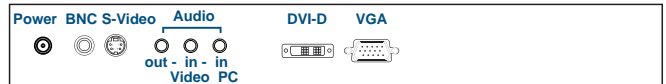
- 3G / HD / SD-SDI Broadcast-grade input
- MC Multi-display control solution
- Projected Capacitive ( 4-point touch )
- Resistive / Capacitive ( single point touch )
- S-Video + Composite ( BNC ) or Audio input
- HDMI or DVI-D ( either one for AV2.2 upgrade )
- MIL-type or lockable connector
- DC power : 12V / 24V / 48V / 110 ~ 125V
- Quad display for CCTV
- TV - Analog



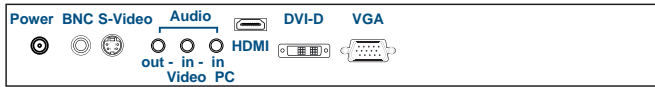
### Basic I/O



### AV2.2D upgrade I/O



### AV3.0 upgrade I/O\* with advanced features



### AV2.2H upgrade I/O



\*Casing dimensions will be changed

## Specifications

### • LCD Panel

Manufacturer :	<b>AUO</b>
Size (diagonal) :	19" TFT
Max resolution :	1280 x 1024
Brightness (cd/m2) :	250
Backlight :	LED
Colors :	16.7 M
Contrast ratio (typ) :	1000 : 1
Viewing angle (H/V) :	170° x 160°
Active area (mm) :	376 x 301
MTBF (hrs) :	30,000
Signal input :	VGA or DVI-D

### • Speaker :

Built-in Dual Stereo Speakers 2W x 2  
( Bundled with AV2.2 upgrade )

### • Weight

Net : 5.7 kgs ( 12.5 lbs )

### • Mounting :

Universal mount / VESA mount

### • Environmental

Operating :	0 to 55°C Degree
Storage :	-5 to 60°C Degree
Relative humidity :	5~90%, non-condensing
Shock :	10G acceleration ( 11 ms duration )
Vibration :	5~500Hz 1G RMS random vibration

### • Casing Color :

Black ( RAL 9005 )

### • Regulatory

Safety :	FCC & CE certified
Environmental :	RoHS2 & REACH compliant

### • Power

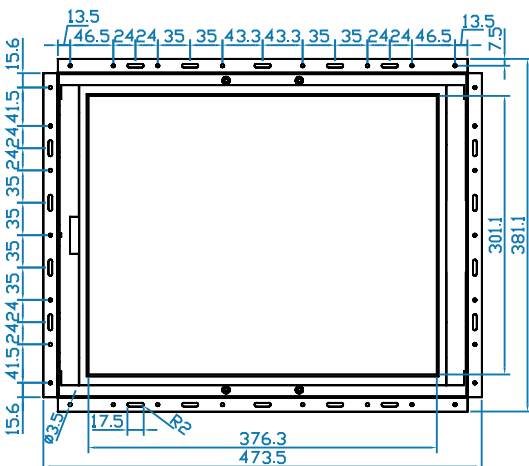
Input :	Auto-sensing 100 to 240VAC, 50 / 60Hz
Consumption :	Max. 48 Watt, Standby 5 Watt

### • Dimensions

Product : 473.5 x 57.6 x 381.1 mm / 18.6 x 2.3 x 15 inch

## Diagrams ( mm )

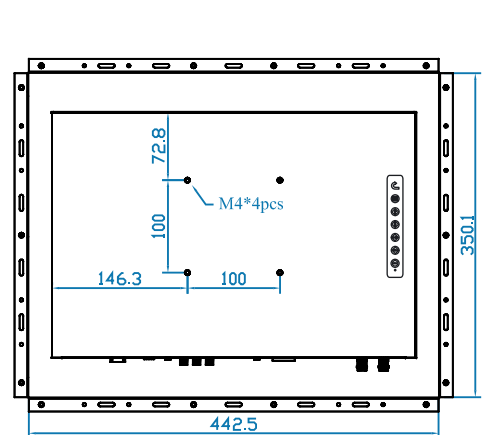
### Front View



### Side View



### Rear View



\*\*Dimension will be changed if Multi-touch required