



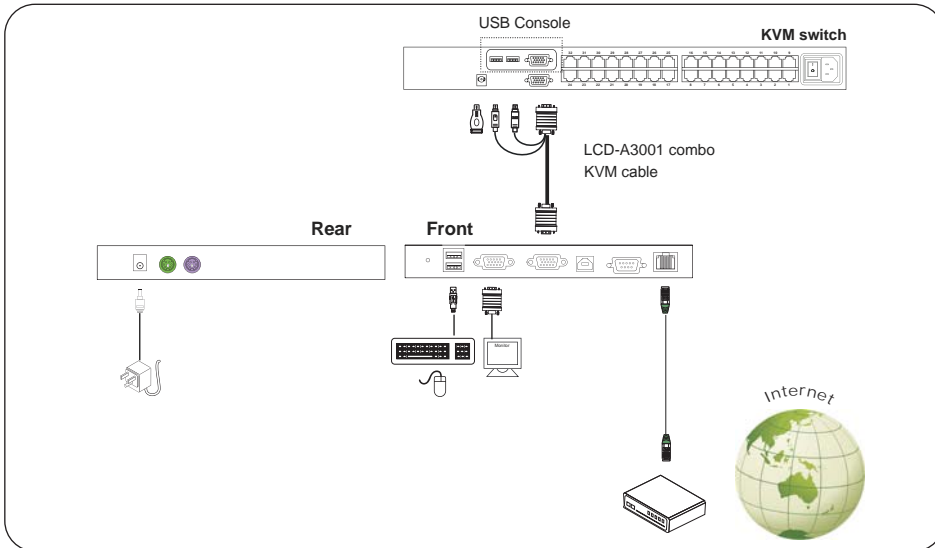
Specification

IP Connection	1 x RJ-45 Ethernet 10/100
Console Connection	1 x DB-15 VGA, up to 1600 x 1200 2 x USB type connector for keyboard & mouse 2 x PS/2 mini Din 6-pin for keyboard & mouse
PC Connection	1 x DB-15 combo KVM port
Virtual Media	USB type B receptacle
Serial	1 x DB9 male
Power Input	12V power adapter
Power Consumption	Max. 11W
Operation Temperature	0 to 55°C degree
Storage Temperature	-20 to 60°C degree
Operating Humidity	20~90%, non-condensing
Storage Humidity	5 ~90%, non-condensing
Operating Altitude	16,000 ft
Non-operating Altitude	40,000 ft
Shock	10G acceleration (11ms duration)
Vibration	5~500Hz 1G RMS random vibration
Dimension	203.5 x 113.3 x 27.3 mm
Weight	1.7 kg / 3.74 lb
Environmental	RoHS2 & REACH compliant

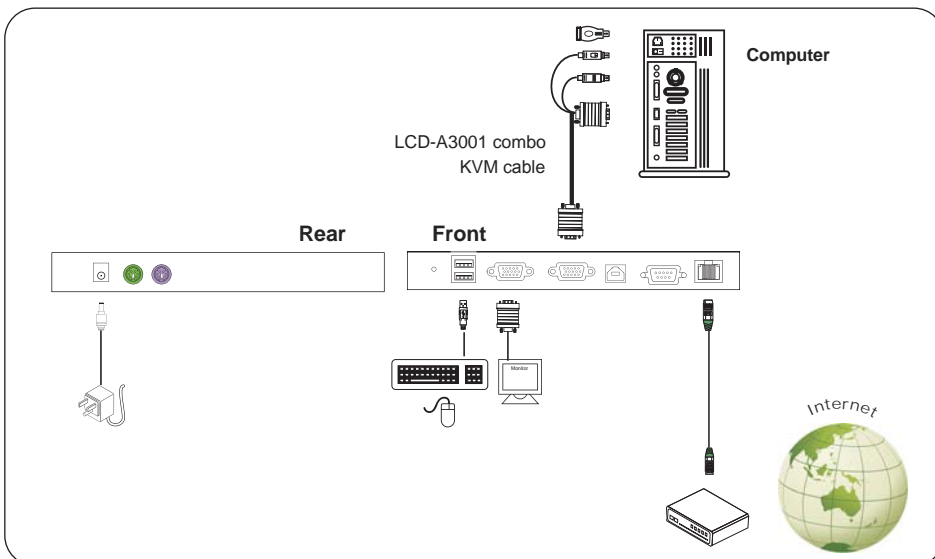
IP Combo KVM Extender Benefits

- ▶ Compatible with all branded KVM switches
- ▶ IP Remote access from any location via web browser
- ▶ Maintaining servers across the world up to BIOS level

Application < I > - Connection to KVM console port over IP



Application < II > - Connector to computer over IP



For detailed product specifications and options, please download the user manual from product page.