



### Key Benefits

- ▶ 15" LED, 1920 x 1080 native HD resolution
- ▶ 16.7 M colors ( 8-bit ) / 400 cd/m<sup>2</sup> brightness
- ▶ PIP Sub-screen & PBP Dual-screen viewing efficiency
- ▶ DVI-D + VGA video input
- ▶ Video decoding capability up to 1080p ( option )
- ▶ Rugged structure ensures high mobility
- ▶ Professional-use durability & around-the-clock operation
- ▶ Universal mount

### Applications

- Broadcasting / Advertising
- Traffic control / Command center
- Directory / Ticket kiosk
- Surveillance system
- Vehicle mount display
- Bathroom TV

## Options

### Video Management & Transmission over Network

- Embedded HDMI Decoder Module 1080p over IP
- Embedded HDMI Extender Module 1080p over network
- Embedded Multi Monitor OSD Control Module over serial
- Embedded 3G / HD / SD-SDI Input Module
- Embedded Brightness Dimming Module
- HDMI 1.3 / S-Video + BNC

### Bezel & Frame Customization

- Dimension
- Color & Treatment
- Screen Printing
- Stainless Steel Bezel

### Touchscreen & Glass Protection

- Projected Capacitive 10-point Touch
- 5-Wire Resistive 1-point Touch
- Anti-reflective Glass
- Vandal Proof Glass

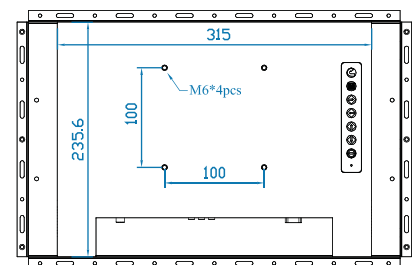
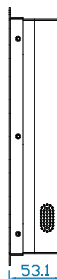
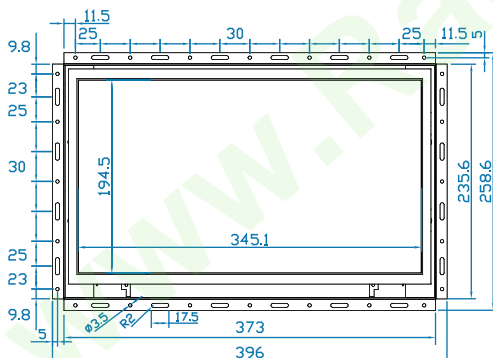
### DC Power & connector

- 12V / 24V / 48V / 110V / 125V / 250VDC
- MIL-type or lockable connector

### Mounting

- VESA mount kit

## Diagrams ( mm )



## Product Specifications

LCD Panel	
Panel size (diagonal)	15.6-inch widescreen TFT color LCD
Native resolution	1920 x 1080
Brightness (cd/m <sup>2</sup> )	400
Contrast ratio (typ.)	700 : 1
Colors	16.7 M, 8-bit
Viewing angle (L/R/U/D)	80/80/70/70
Response time (ms)	16
Dot pitch (mm)	0.17925
Display area (mm)	344.16H x 193.59V
Surface treatment	Anti-glare
Surface hardness	3H
Backlight type	LED
MTBF (hrs)	50,000

Video	
VGA	Analog 0.7Vp-p
DVI	DVI-D single link

Video Option	
HDMI	HDMI 1.3 / HDCP 1.3
Composite ( BNC )	NTSC & PAL
S-Video ( 4-pin )	NTSC & PAL

Audio Option	
Audio input :	
Connector	3.5mm stereo jack
Impedance / Power level	30kΩ / 750mV
Audio output :	
Connector	3.5mm stereo jack
Resistance / Power level	30kΩ / 2.8V
Speaker :	
Dual stereo speaker	2W x 2

\*When the audio output is connected, speaker output is OFF

Power	
Input	Auto-sensing 100 to 240VAC, 50 / 60Hz
Consumption :	
Screen on	Max. 29W
Power saving mode	Max. 9W
Power button on	Max. 2W

Environment	
Operating temp.	0 to 55°C degree
Storage temp.	-20 to 60°C degree
Operating humidity	20~90%, non-condensing
Storage humidity	5 ~90%, non-condensing
Operating altitude	16,000 ft
Non-operating altitude	40,000 ft
Shock	10G acceleration ( 11ms duration )
Vibration	10~300Hz 0.5G RMS random vibration

Design	ID-E15Pw
Protection	-
Front panel	open frame
Rear casing	Black, RAL 9005

Mounting	ID-E15Pw
VESA mount	100 x 100 mm
Universal mount	bundled
Desktop stand	-
Panel mount	-

Physical	ID-E15Pw
Product (W x D x H) :	
mm	396 x 53.1 x 258.6
inch	15.6 x 2.1 x 10.2
Net weight	3.5 kg / 7.7 lb
Chassis color	Black
Chassis materials	Aluminum

Compliance	
EMC	FCC & CE certified
Safety	CE / LVD certified
Environment	RoHS2 & REACH compliant

Applicable Format		
DVI-D / VGA Input	PC signal	1920 x 1080 x 60Hz
		1360 x 768 x 60Hz
		1280 x 1024 x 60 / 75Hz
		1280 x 960 x 60Hz
		1280 x 768 x 60 / 75Hz
		1152 x 864 x 75Hz
		1024 x 768 x 60 / 70 / 75Hz
		848 x 480 x 60Hz
		800 x 600 x 60 / 72 / 75Hz
		720 x 400 x 70Hz
HDMI input	PC signal	640 x 480 x 60 / 72 / 75Hz
		640 x 400 x 70Hz
		640 x 350 x 70Hz
		2ch Linear PCM
		Same as VGA
	HDMI 1.3	1920 x 1080 x 50 / 60Hz ( 1080p )
		1920 x 1080 x 25 / 30Hz ( 1080i )
		1280 x 720 x 50 / 60Hz ( 720p )
		720 x 480 x 50 / 60Hz ( 576p / 480p )
		2ch Linear PCM