



Toll Free: 1-888-865-6888

Tel: 510-226-8368 Fax: 510-226-8968

Email: sales@RackmountMart.com

23.8" Dual LCD Display Drawer (dual rail)

LCD2U24-2H-01



This manual, covering various aspects of the equipment such as installation and setup, which will help you make full use of this LCD Drawer. Please read this manual carefully, install and operate the equipment according to the manual to avoid damage.

Product package includes following items:

- 1 * Dual screen LCD drawer;
- 1 * AC Power Cord
- 1 * Rack installation bracket (one pair)
- 1 * USER'S manual (CD)
- 2 * 1.8 Meter VGA cable
- 2 * 1.8 Meter DVI cable
- 1 * 1.8 Meter Audio cable

Please check items above. If any item is missing or damaged, please contact your dealer promptly.

Table of Contents

1	Introduction	-4-
	1.1 Overview	-4-
	1.2 Functions & Features	-4-
	1.3 Hardware Requirement	-4-
	1.3.1 Host Requirement	-4-
	1.3.2 Cables	-4-
	1.4 Product Specifications	-5-
	1.5 LCD Specifications	-5-
	1.6 Front View	-6-
	1.7 Rear View	-7-
2	Installation	-8-
	2.1 Rack Installation	-8-
	2.2 Operation	-9-
	2.3 Standard Installation	-10-
	2.4 LCD OSD Menu Setup	-11-
3	Certificates	-12-

1 Introduction

1.1 Overview

23.8" dual LCD display drawer integrates with 2 x LCD display and in a drawer type worktable and provides a convenient space-saving display mode. Dual rail design allows LCD screen and keyboard tray operated independently.

With a graphic card, screen can be cloned or extended to each screen; or can display independently. With screen extended function, people can be multi-tasking in different screens.

1.2 Function & Features

23.8" dual LCD display drawer is 2U height, supported resolution up to 1920 x 1200. It can be installed into 19 inch rack cabinet . No need to install additional software or hardware

1.3 Hardware Requirement

1.3.1 Hosts Requirement:

- (1) DVI, VGA graphic card

Note: the max. resolution of the integrated LCD display is 1920x1200. Make sure the resolution of any connected computer does not exceed this resolution.

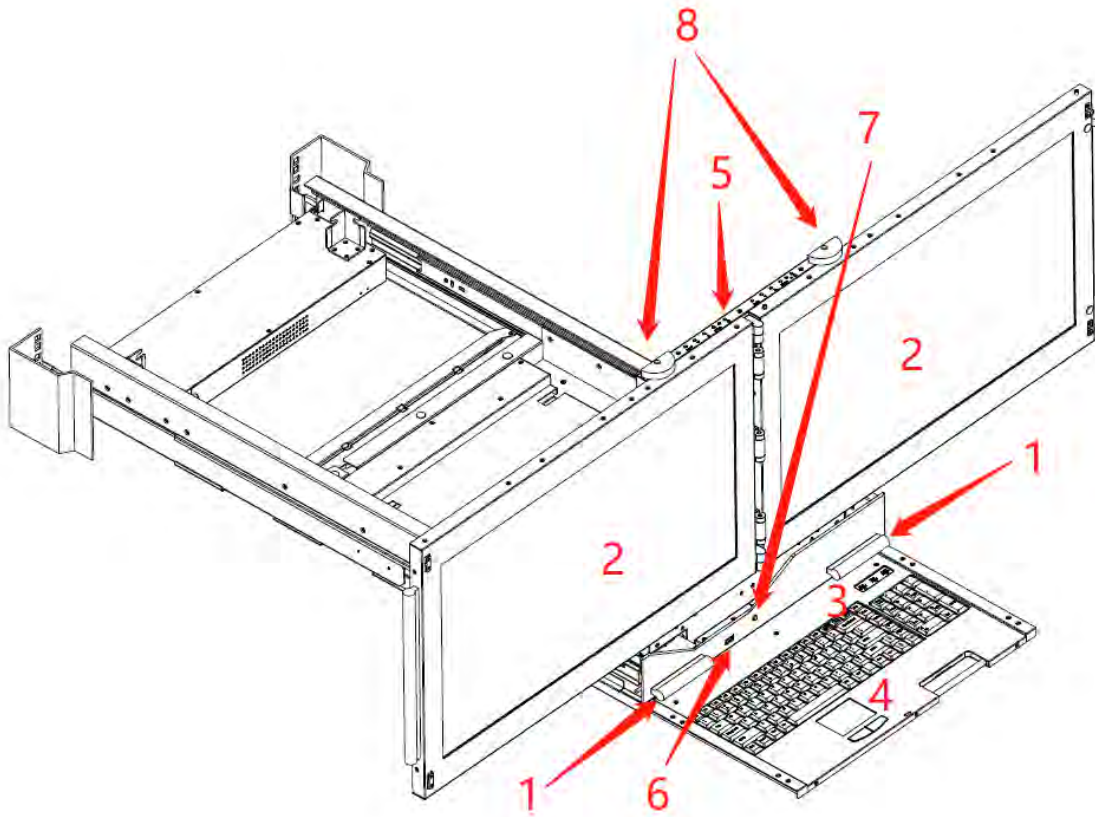
1.3.2 Cables

- (1) 2x DB-15 VGA cable male to male
- (2) 2x DVI-D Cable male to male
- (3) 1x Audio Cable

1.4 Product Specifications

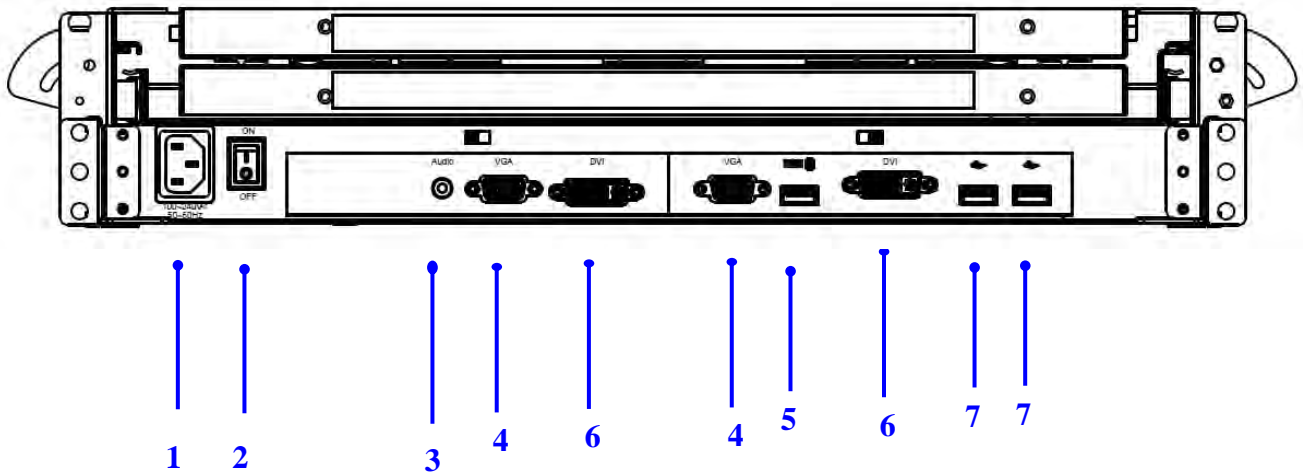
Model	LCD2U24-2H-01	
Brightness	250cd/m2	
Contrast	1000:1	
Angle of visibility	178°(H),178°(V)	
Color display	16.7M	
Video resolution	1920 x 1080 (native) support up to 1920 x 1200	
Local Control Terminal (Master)	DVI-D	24 pin DVI-D female connector
	VGA	HD-15 female connector
	Audio	3.5mm stereo jack
Local Control Terminal (Slave)	DVI-D	24 pin DVI-D female connector
	VGA	HD-15 female connector
Power supply	100-240V AC 50/60Hz via IEC Type power cord	
Housing	Metal housing	
Weight	28Kg	
Dimension(W x H x D)	443 x 88 x 762 mm	

1.6 Front View



NO	Par	Function Description
1	Handle to lock/release rail sliding	
2	LCD display	
3	Keyboard	
4	Touchpad	
5	LCD OSD button	LCD button to control Screen Display position and image setting.
6	Front USB2.0 HUB port	
7	Keyboard tray locker	
8	Lockers to stable LCD screens in operating position	

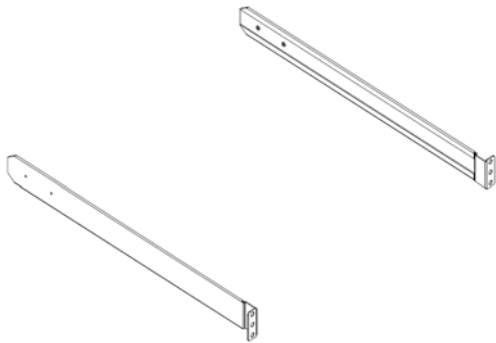
1.7 Rear View



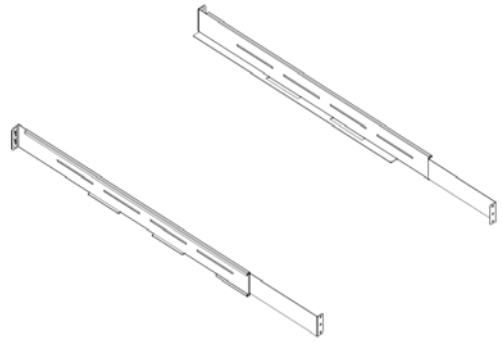
No	Component	Function Description
1	AC Power port	Standard IEC Type AC Inlet
2	Power Switch	Rock switch, turn on/off equipment main power.
3	Audio port	For audio function.
4	VGA port	Connect to server or KVM.
5	USB port	Connect to server or KVM.
6	DVI port	Connect to server or KVM.
7	USB 2.0	For USB peripheral device

2 Installation

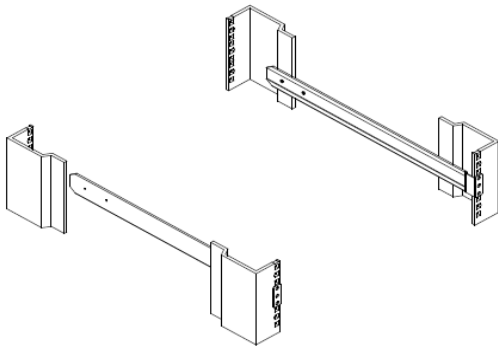
2.1 Rack Installation



Rear mounting bracket (L&R)

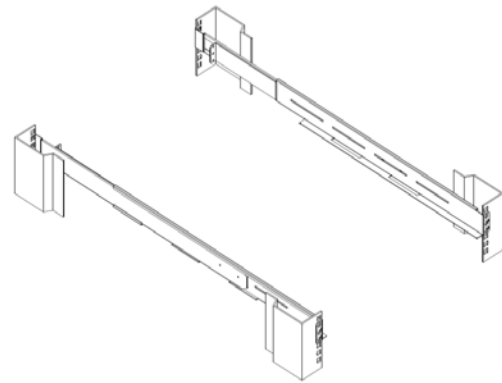


Front mounting bracket (L&R)



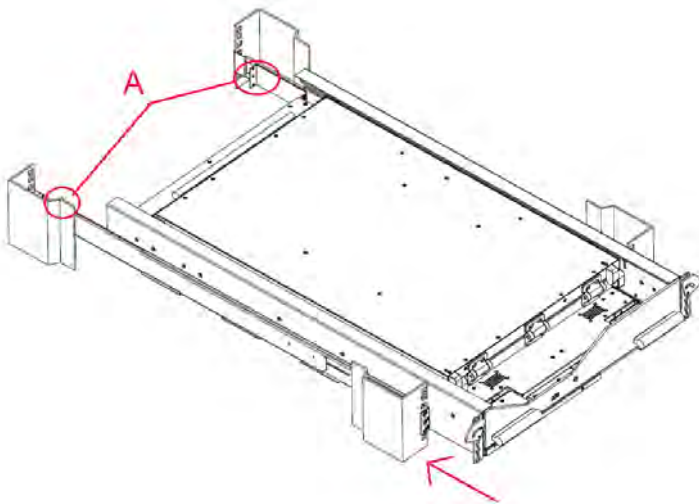
Step 1 Back View

- Rear mounting bracket, screw M6 *4pcs



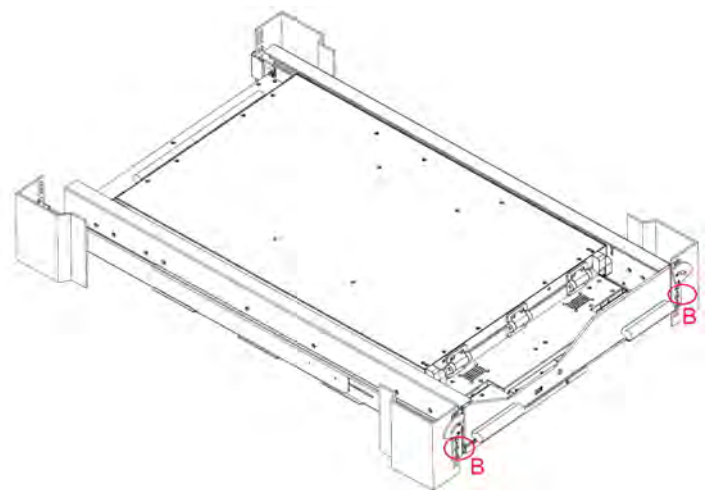
Step 2 Front View

- Insert the left and right front mounting brackets into rear mounting bracket, screw M6 * 4pcs



Step 3 Front View

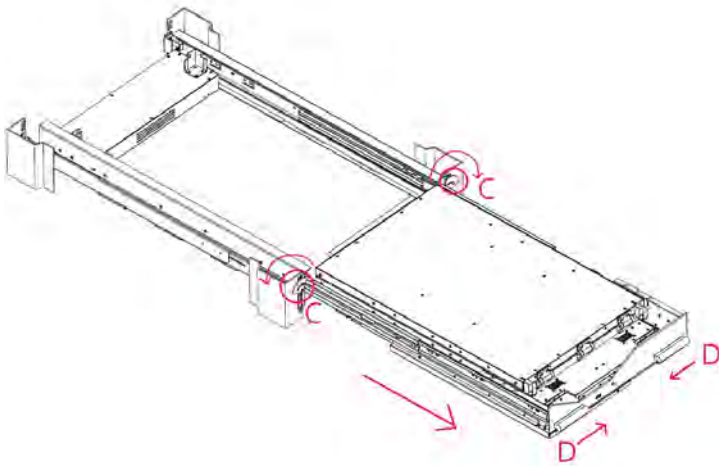
- Slide chassis into mounting bracket
- Screw M4 *4pcs at Point A



Step 4 Front View

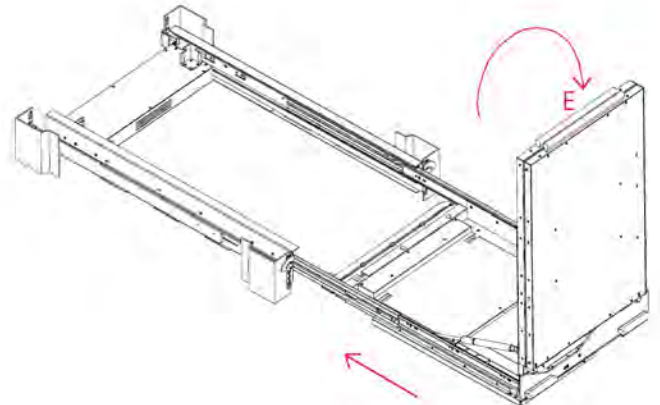
- Screw M4 *2pcs at Point B

2.2 Operation



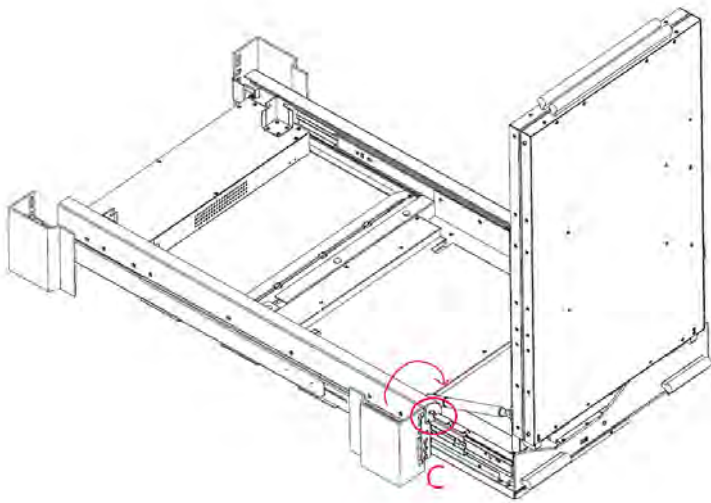
Step 1

- Unlock locker C
- Unlock handle D and holding them to slide out LCD panels



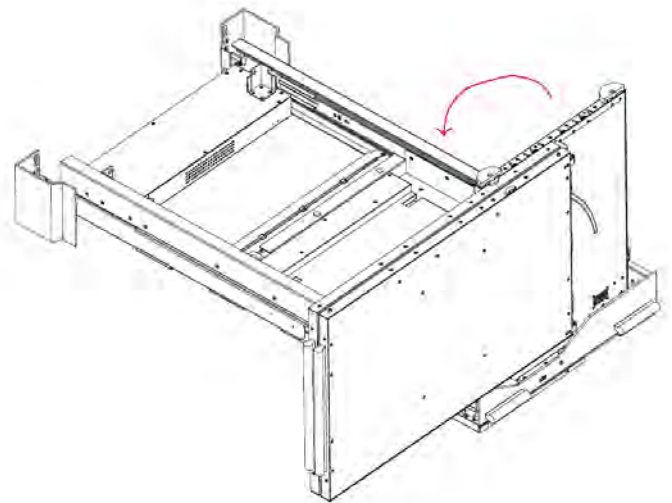
Step 2

- Hold handle E and lift up LCD panels
- Slide in the rails to the suitable position



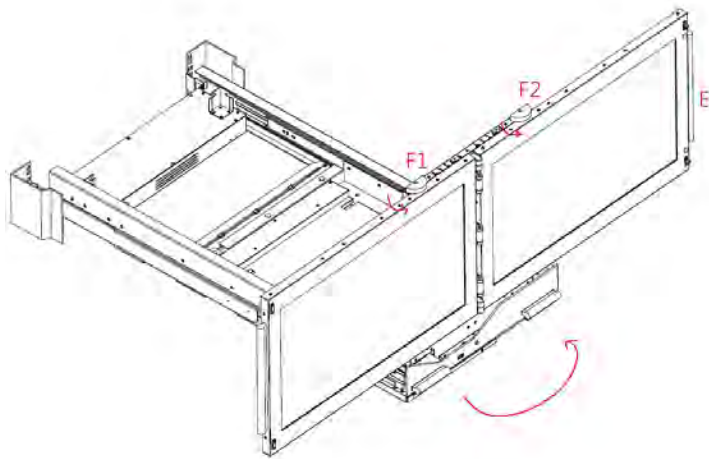
Step 3

- Use locker C to stabilize the rails



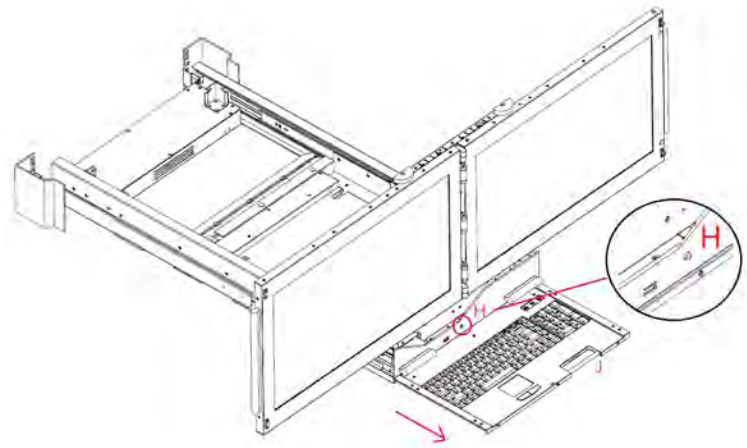
Step 4

- Rotate screens anti-clockwise



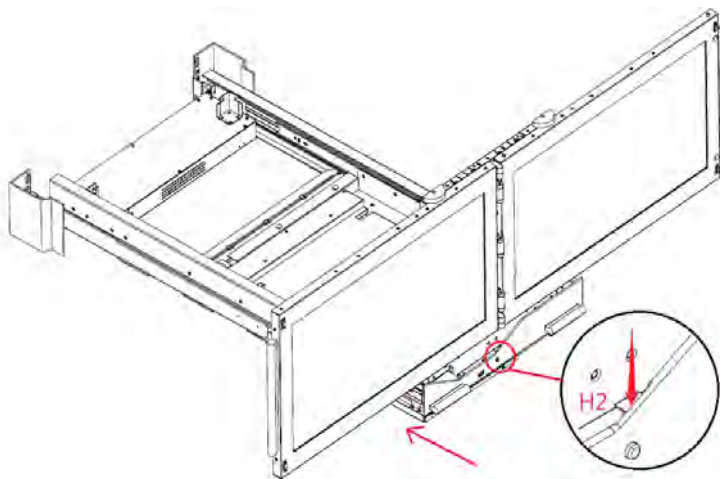
Step 5

- Use locker F1 to stabilize the left screen
- Open the other screen to the right
- Use locker F2 to stabilize the right screen



Step 6

- Press button H to unlock the keyboard tray
- Hold handle J and slide out the keyboard



Step 7

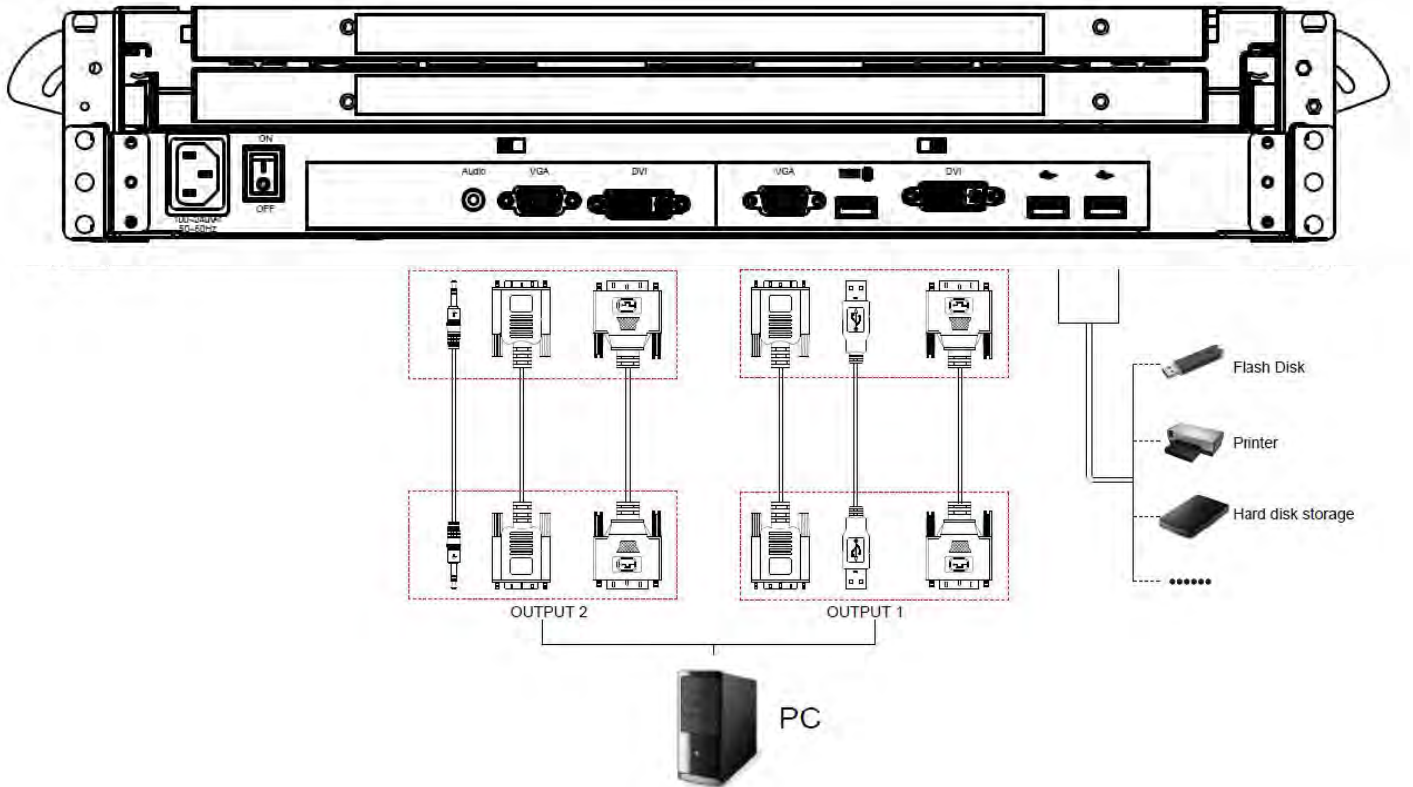
- After operation, slide in the keyboard tray, and press locker H2 to stable keyboard in closed position
- Follow Step 5--->4--->3--->2--->1 to storage the LCD drawer into the rack cabinet

2.2 Standard Installation

Please follow the installation drawing and instructions below for standard installation:

- * Please Shutdown the Power of Equipment Needs to be Connected
- * Please Pay Attention to Earthing of Equipment

The standard installation is completed, and LCD drawer can be powered on. Then power on connected hosts.



2.3 LCD OSD Menu Setup

OSD Control buttons

LCD OSD can establish and setup LCD display. Setup instructions of four buttons are as follows:

Button	Functions
POWER	Turn on or off the LCD Display
MENU	Activate OSD menu, select a menu and press MENU key to confirm the selection and enter the submenu.
▲	Press this key to increase setting or scroll up the menu bar
▼	Press this key to Decrease setting or scroll down the menu bar
AUTO	press the auto key to select video source

OSD Control Operation

Main Menu



3 Certificates

FCC

This product has been tested and is proved to meet requirements of Grade B electronic devices and specifications of Section 15 of FCC certification. Please observe following two conditions in operation that:

- (1) The equipment will not generate any harmful interruption.
- (2) If the equipment is interrupted, it may cause unnecessary operations.

CE

This equipment complies with regulations of EN55022:CLASS B.

RoHS

The whole package including products, packaging materials and documents meet RoHS equipments.

The company reserves the right to modify product specifications without prior notice and assumes no responsibility for any error which may appear in this publication.

All brand names, logo and registered trademarks are properties of their respective owners.

Copyright 2022 Synergy Global Technology Inc. All rights reserved.