

NOTE:
22.5 MAX RAIL TO RAIL
12.5 MIN RAIL TO RAIL

WEB PRINT		UNLESS OTHERWISE SPECIFIED: DIMENSIONS ARE IN INCHES TOLERANCES: FRACTIONAL $\pm 1/8$ ANGULAR: BEND ± 1 DEGREE TWO PLACE DECIMAL $\pm .03$ THREE PLACE DECIMAL $\pm .01$		NAME	DATE	TITLE: 6U LINIER WM SWINGOUT CABINET- GLASS DOOR
		Surface Area	MATERIAL	DRAWN		
NEXT ASSY	USED ON	FINISH	COMMENTS:	ENG APPR.		SIZE DWG. NO. REV
APPLICATION		DO NOT SCALE DRAWING		MFG APPR.		A WB1209
				Q.A.		SCALE: 1:10 WEIGHT: 41.58 SHEET 1 OF 2

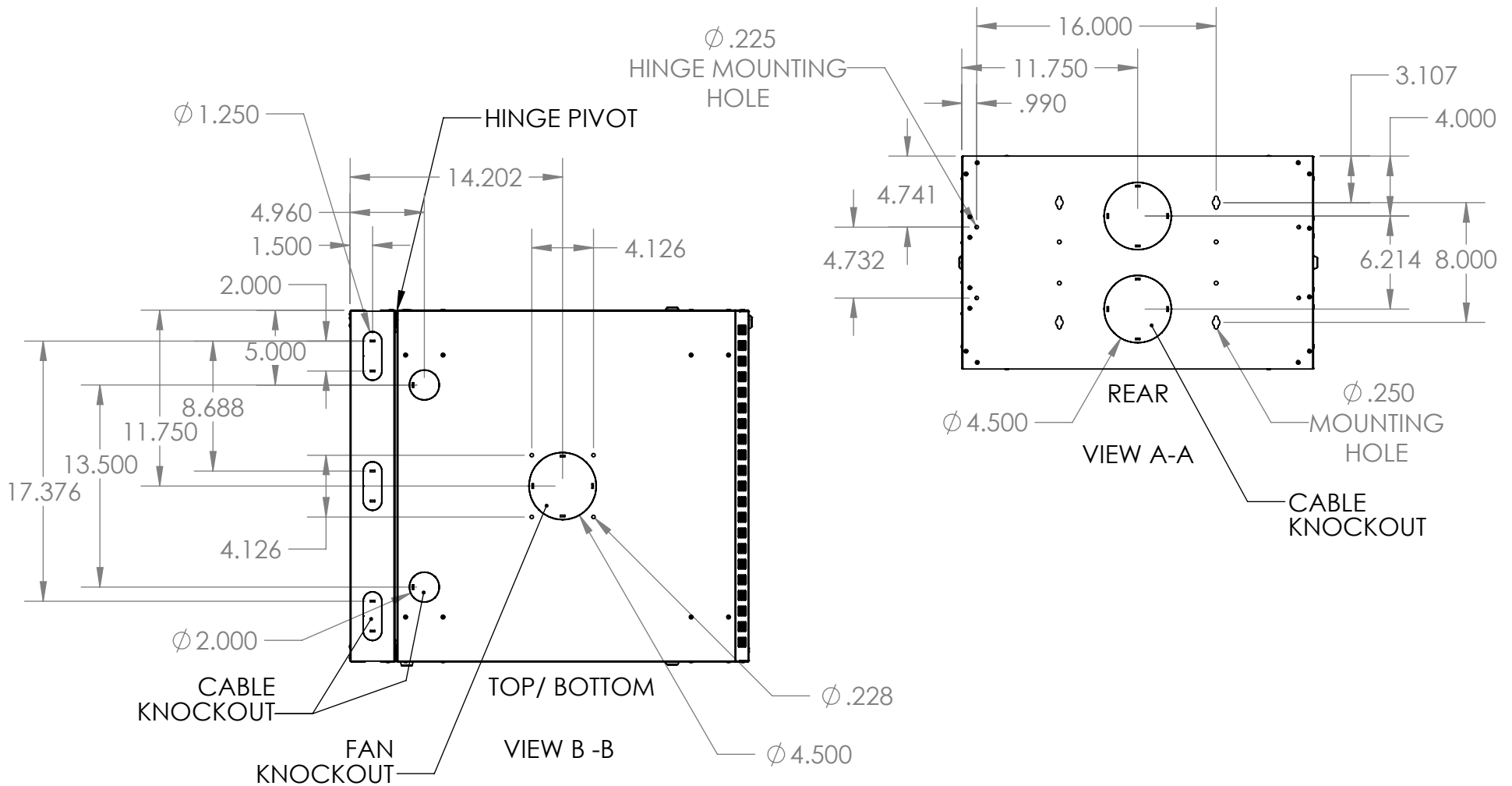
5

4

3

2

1



UNLESS OTHERWISE SPECIFIED:
 DIMENSIONS ARE IN INCHES
 TOLERANCES:
 FRACTIONAL $\pm 1/8$
 ANGULAR: BEND ± 1 DEGREE
 TWO PLACE DECIMAL $\pm .03$
 THREE PLACE DECIMAL $\pm .01$

WEB PRINT		Surface Area
		MATERIAL
NEXT ASSY	USED ON	FINISH
APPLICATION		DO NOT SCALE DRAWING

	NAME	DATE
DRAWN		
CHECKED		
ENG APPR.		
MFG APPR.		
Q.A.		
COMMENTS:		

TITLE:
**6U LINIER WM SWINGOUT
 CABINET- GLASS DOOR**

SIZE	DWG. NO.	REV
A	WB1209	
SCALE: 1:10	WEIGHT: 41.58	SHEET 2 OF 2