

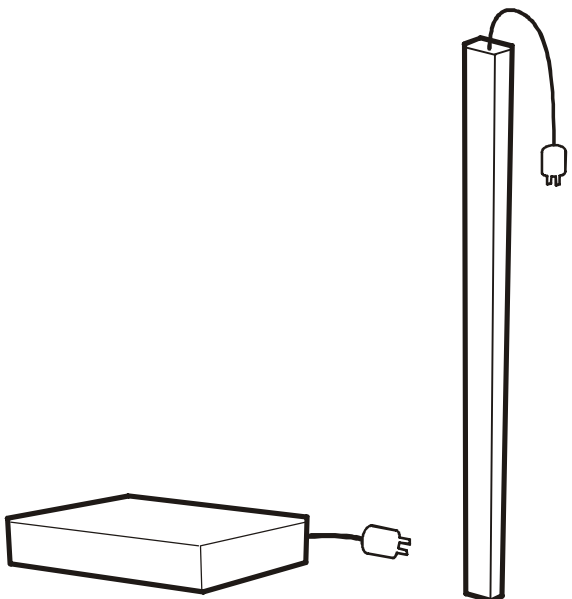


Synergy Global Technology Inc

www.RackmountMart.com

Installation

Basic Rack Power Distribution Unit



Contents

Preliminary Information	1
Features	1
Receiving inspection	1
Please recycle	1
How to Install the Rack PDU	2
Attach the cord retention trays	2
Attach cords to the tray	2
Mounting options	3
Toolless mounting	3
Bracket-mounting	4

Preliminary Information

Features

This booklet provides information on installing and operating Basic Rack PDU.

Receiving inspection

Inspect the package and contents for shipping damage, and make sure that all parts were sent. Report any damage immediately to the shipping agent, and report missing contents, damage, or other problems immediately to us.

Please recycle

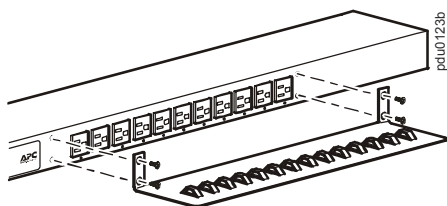


The shipping materials are recyclable. Please save them for later use, or dispose of them appropriately.

Install the Rack PDU

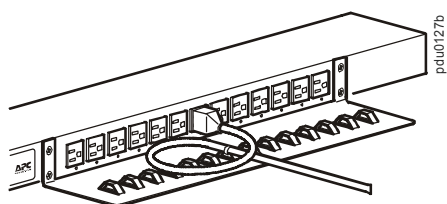
Attach the cord retention trays

Attach the cord retention trays to the Rack PDU, using four flat-head screws (provided) per tray.



Attach cords to the tray

Attach a cord to the tray by looping the cord and securing it to the tray, using a wire tie (provided).



Note

Each cord must be secured to the tray so that you can unplug it from the PDU without removing the wire tie.



Note

When installing the PDUs, ensure that the power cord plug is accessible, and that the PDU is connected to a grounded outlet.

Mounting options

You can install the Rack PDU in one of two ways: using toolless mounting pegs (provided) or mounting brackets (provided). The 1-U and 2-U horizontal Rack PDUs must be mounted using the horizontal mounting brackets.

Vertical mounting.

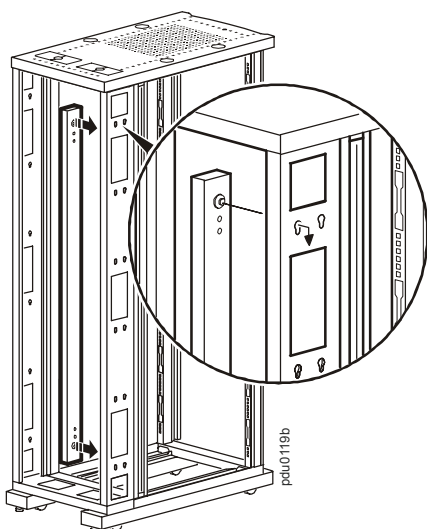
- To install the Rack PDU using the toolless mounting method, install it in the rear of the NetShelter® VX or SX Enclosure, in the cable channel directly behind the rear vertical mounting rails.
- To install the Rack PDU using the mounting brackets, install it on a vertical mounting rail on your rack or enclosure.

Horizontal mounting.

To install the Rack PDU using the horizontal mounting brackets, install the brackets on the Rack PDU and then attach the PDU to the rack using caged nuts (provided with your enclosure).

Toolless mounting

1. Slide both mounting pegs into the holes located in the channel in the rear panel of the enclosure.
2. Snap the Rack PDU into place by pushing it downward until it locks into position.



Note

You can mount two PDUs on one side of the enclosure by using the toolless mounting method.

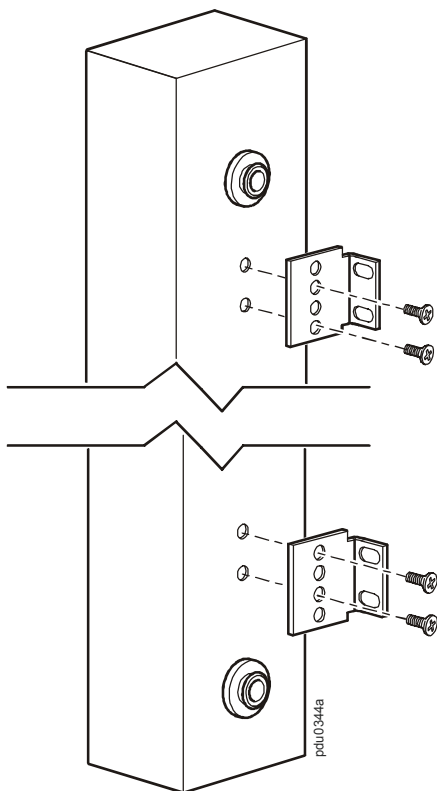
Bracket mounting

Vertical mounting. To mount the Rack PDU vertically in a NetShelter or any standard EIA-310 rack or enclosure:

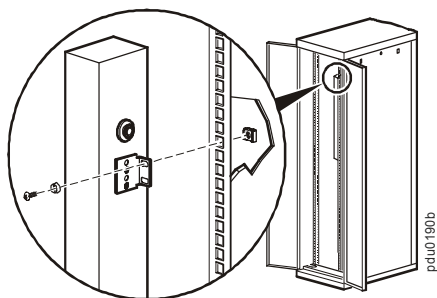
1. Attach the vertical-mounting brackets to the PDU.



Use only the supplied screws.

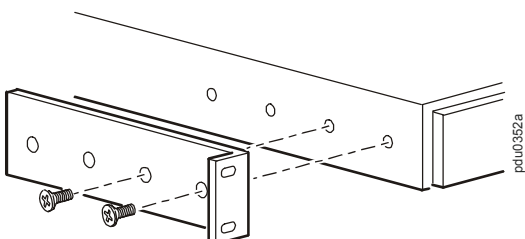


2. Install the Rack PDU on a vertical mounting rail in your rack or enclosure using the supplied screws and caged nuts with your enclosure.



Horizontal mounting. You can mount the Rack PDU in a 19-inch NetShelter or other EIA-310-D standard 19-inch rack:

1. Choose a mounting position for the Rack PDU with either the display or the rear facing out of the enclosure.
2. Attach the mounting brackets to the Rack PDU, using the flat-head screws (provided).



3. Choose a location for the unit:



Note

The unit occupies one U-space. A notched hole (or number, on newer enclosures) on the enclosure's vertical rail indicates the middle of a U-space.

- a. Insert caged nuts (provided with the enclosure) above and below a notched hole on each vertical mounting rail in your chosen location.
- b. Align the mounting holes of the brackets with the installed caged nuts. Insert and tighten screws.

