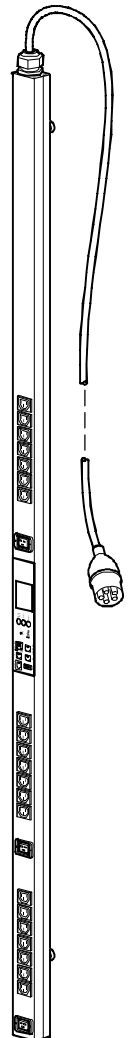


Switched Rack Power Distribution Unit

Specifications

ASH-024-C-20A-IEC

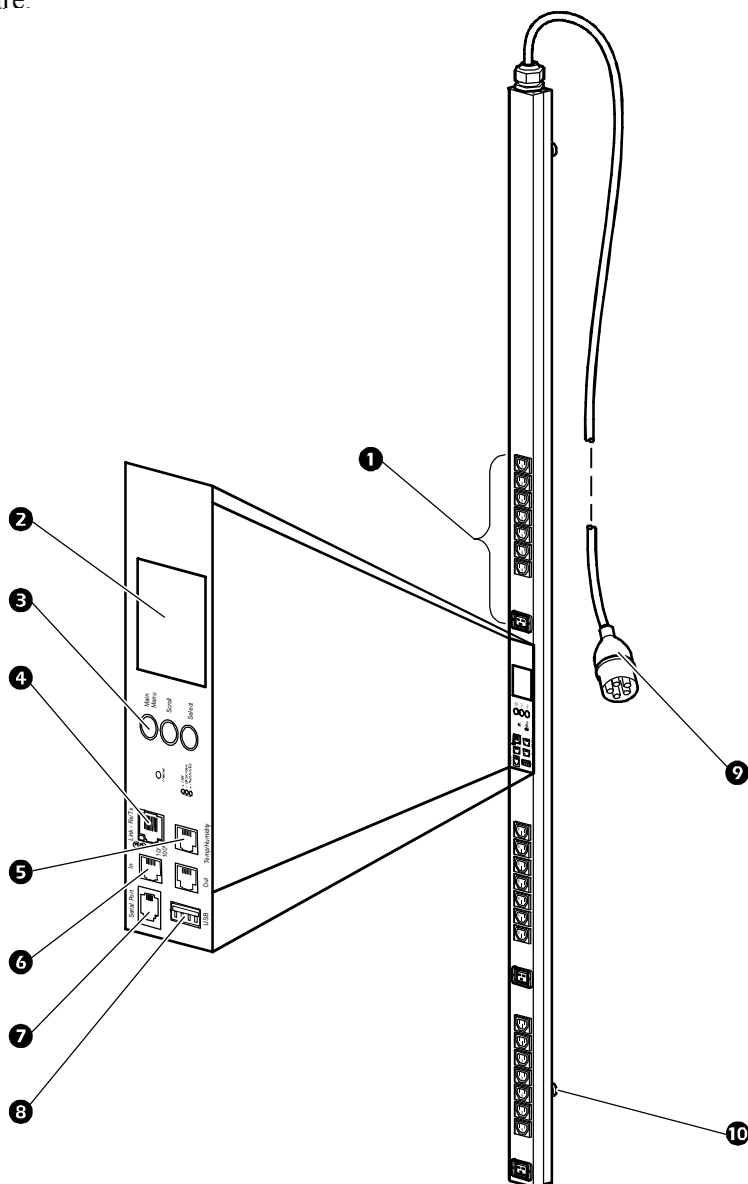


Outlets. The Rack PDU has twenty-one (21) IEC-320-C13 and three (3) IEC-320-C19 locking outlets **1**. A green LED for each outlet turns on when the outlet is energized.

Display interface. The liquid crystal display (LCD) **2** and input buttons **3** allow you to monitor current, power, and voltage measurements of the Rack PDU. Local communication can be established through the serial port **7**, and remote communication through the network port **4**. The USB **8** and CAN **6** ports enable data transfer and communication for future expansion options. The environmental sensor port **5** allows for monitoring of the temperature and humidity of the room or enclosure.

Power cord. The 2-m (6.0-ft) power cord terminates with a 16 A, 5-pin IEC-309 connector **9**.

Toolless mounting. The Rack PDU has two toolless mounting pegs **10** for 0 U mounting capability in a rack or enclosure.



Specifications

Electrical

Acceptable input voltage	380–415 VAC +6%, -10%
Maximum input current (phase)	16 A UL (derated) 16A VDE
Input frequency	50/60 Hz
Input connection	16 A, 5-pin IEC-309
Input power	11.5 kVA UL 11.0 kVA VDE
Output voltage	220–240 VAC
Maximum output current (outlet)	IEC-320-C13: 12 A; IEC-320-C19: 16 A UL (derated) IEC-320-C13: 10 A; IEC-320-C19: 16 A VDE
Maximum output current (phase)	16 A UL (derated) 16 A VDE
Output connections	Twenty-one (21) IEC-320-C13; three (3) IEC-320-C19

Physical

Dimensions (H x W x D) (depth does not include toolless pegs)	177.8 x 5.6 x 4.6 cm (70.5 x 2.2 x 1.8 in)
Power cord length	2 m (6.0 ft)
Shipping dimensions (H x W x D)	200.0 x 16.5 x 11.4 cm (78.8 x 6.5 x 4.5 in)

Environmental

Maximum elevation (above MSL) Operating/Storage	0–3 000 m (0–10,000 ft) / 0–15 000 m (0–50,000 ft)
Temperature Operating/Storage	–5 to 45°C (23 to 115°F) / –25 to 65°C (–13 to 149°F)
Humidity Operating/Storage	5–95% RH, non-condensing

Compliance

EMC verification	EN 55022 Class A, EN 55024, EN 61000-3-2, EN 61000-3-3, FCC Part 15 Class A, ICES-003 Class A
Safety verification	UL, VDE