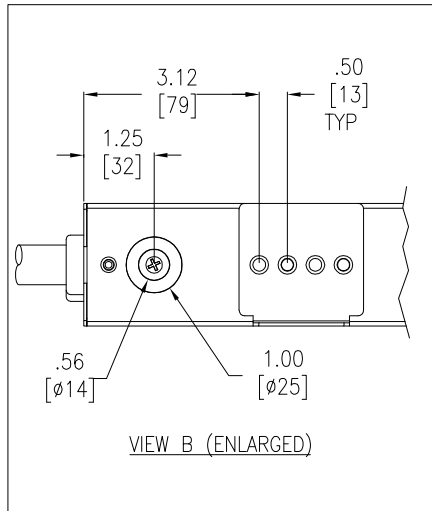
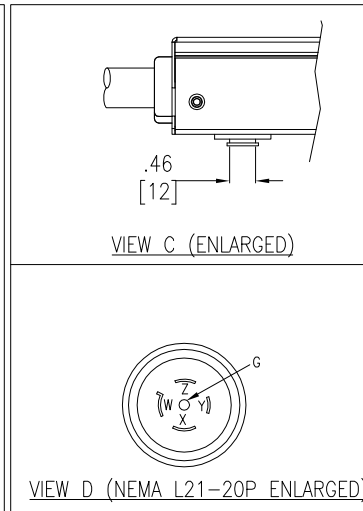


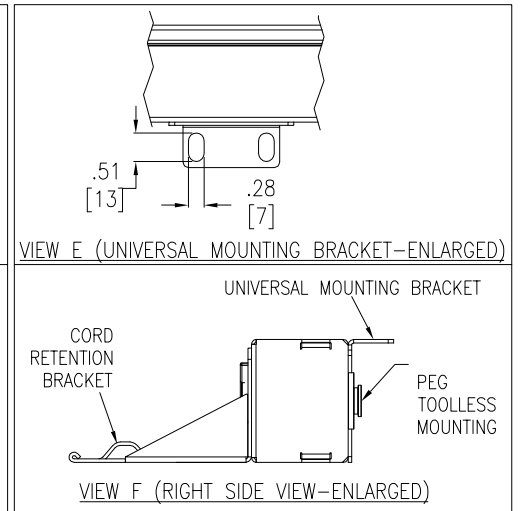
VIEW A (ENLARGED-DISPLAY INTERFACE)



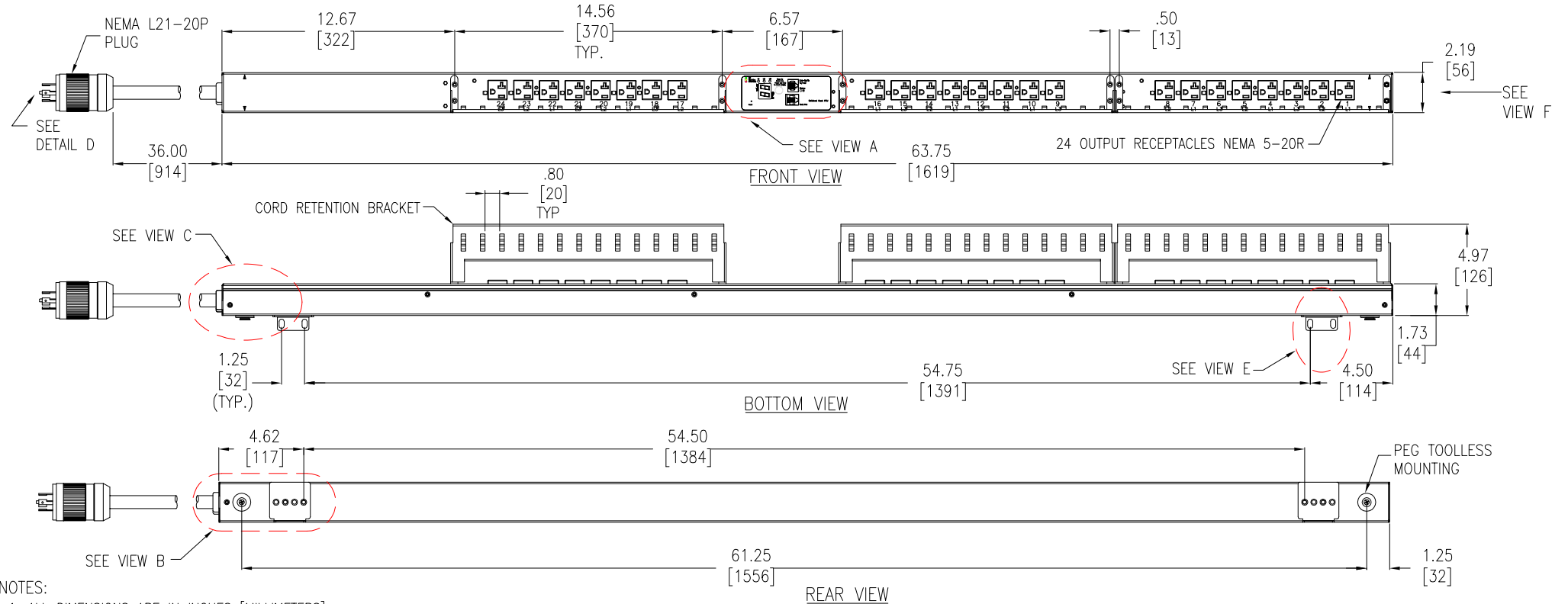
VIEW B (ENLARGED)



VIEW D (NEMA L21-20P ENLARGED)



VIEW F (RIGHT SIDE VIEW-ENLARGED)



NOTES:

1. ALL DIMENSIONS ARE IN INCHES [MILLIMETERS].
2. NET WEIGHT IS 13 LBS [5.9kg]
3. UNIVERSAL MOUNTING BRACKET IS AN ALTERNATIVE MOUNTING METHOD TO THE TOOLLESS MOUNT
4. BRACKET KITS TO MOUNT TO SPECIFIC COMPETITORS RACKS ARE AVAILABLE AS OPTIONS.
5. INSTALLATION MUST COMPLY WITH ALL APPLICABLE NATIONAL AND LOCAL CODES.

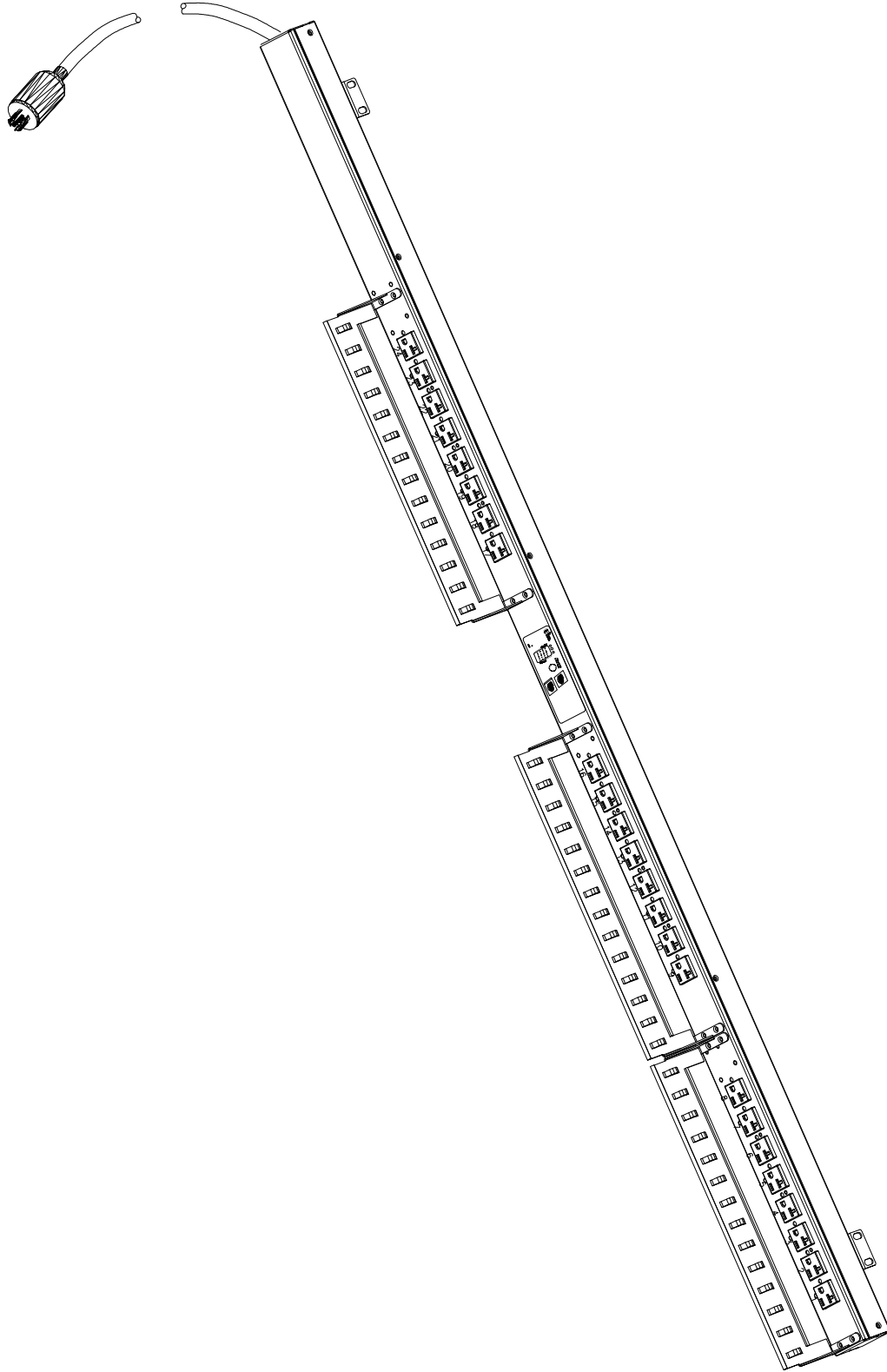
ASH-024-520-20A-L212

TITLE: RACK PDU, SWITCHED
ZERO U, 5.7kW, 120V, INPUT: NEMA L21-20P
OUTPUT: (24)NEMA 5-20R
MAIN MECHANICAL

SHEET 1 OF 2

Synergy Global Technology Inc
www.RackmountMart.com

ISOMETRIC VIEW



ASH-024-520-20A-L212

TITLE: RACK PDU, SWITCHED
ZERO U, 5.7kW, 120V, INPUT: NEMA L21-20P
OUTPUT: (24) NEMA 5-20R
ISOMETRIC VIEW

SHEET 2 OF 2

 **Synergy Global Technology Inc**
www.RackmountMart.com