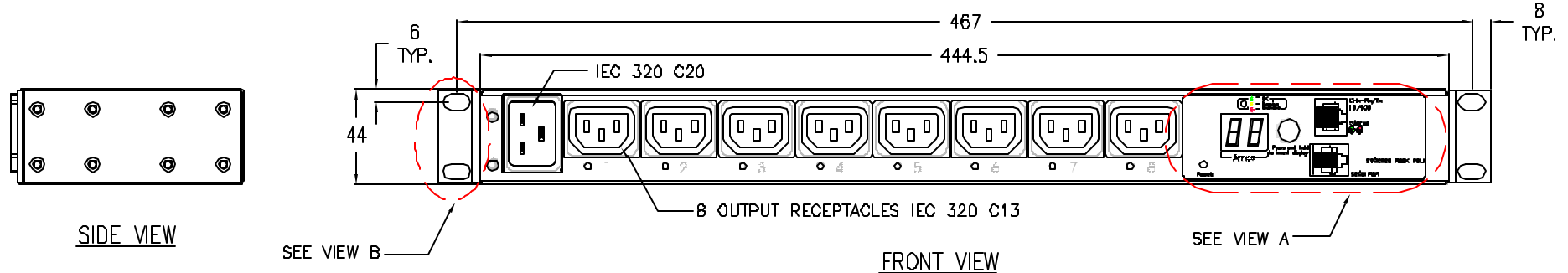

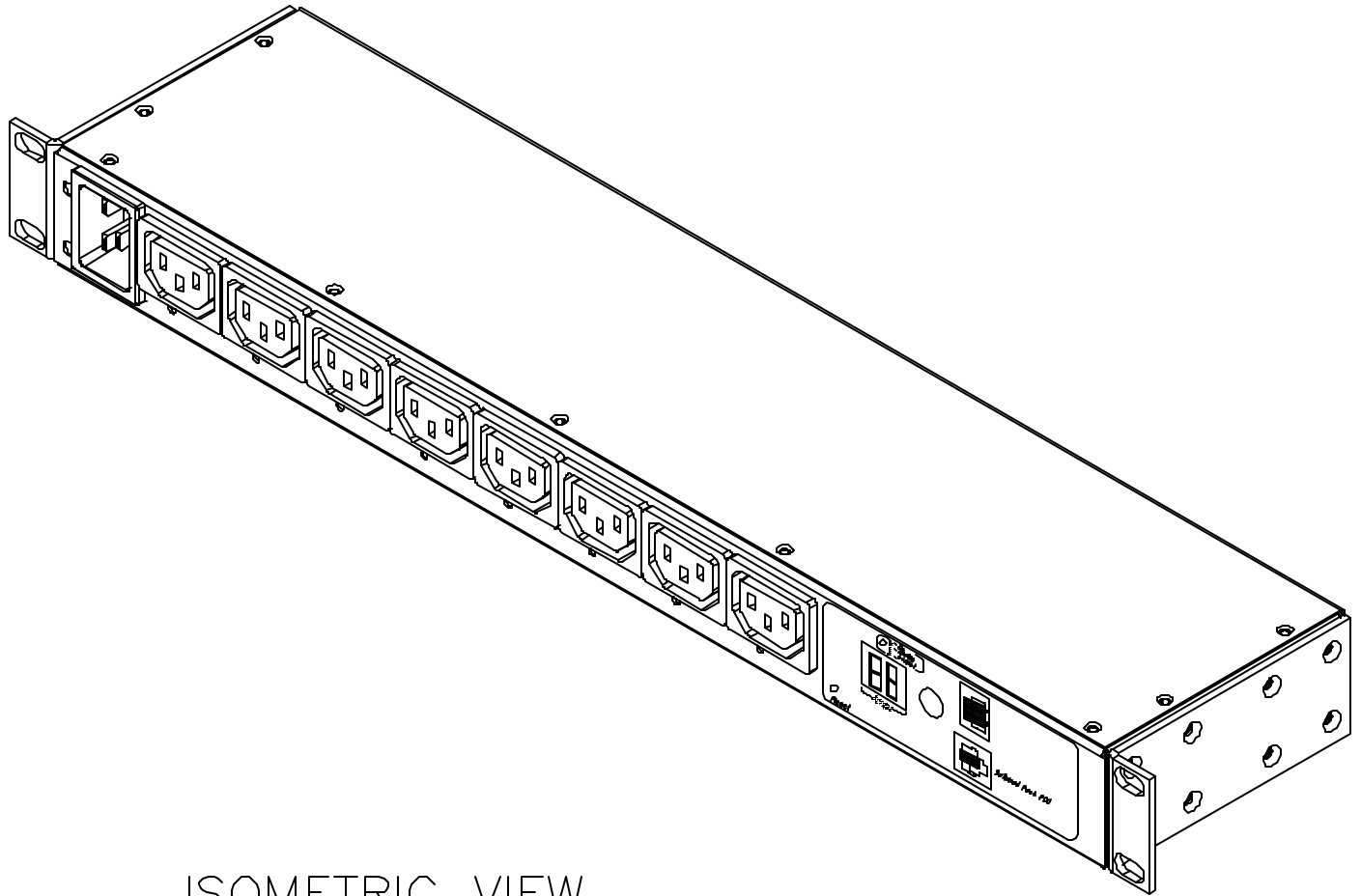


BOTTOM VIEW



- NOTES:**
1. ALL DIMENSIONS ARE IN MILLIMETERS.
 2. NET WEIGHT OF UNIT IS 2.26 kg.
 3. 2.5METERS IEC CORD WITH IEC 320 C20 PLUG IS PROVIDED WITH RM-PDU.
 4. INSTALLATION MUST COMPLY WITH NATIONAL AND LOCAL ELECTRICAL REGULATIONS.

<p>AS-108-C13-20A-C20</p>	<p>TITLE: SWITCHED RACKMOUNT PDU 1PH 16A 208-230V INPUT: IEC320 C20 PLUG OUTPUT: (8) IEC320 C13 MECHANICAL-1</p> <p style="text-align: right; color: red; font-size: small;">PAGE 1 OF 2</p>	 <p>Synergy Global Technology Inc www.RackmountMart.com</p>
----------------------------------	---	---



ISOMETRIC VIEW

AS-108-C13-20A-C20

TITLE: SWITCHED RACKMOUNT PDU
1PH 18A 208-230V
INPUT: IEC320 C20 PLUG
OUTPUT: (8) IEC320 C13
MECHANICAL-2
SHEET 2 OF 2