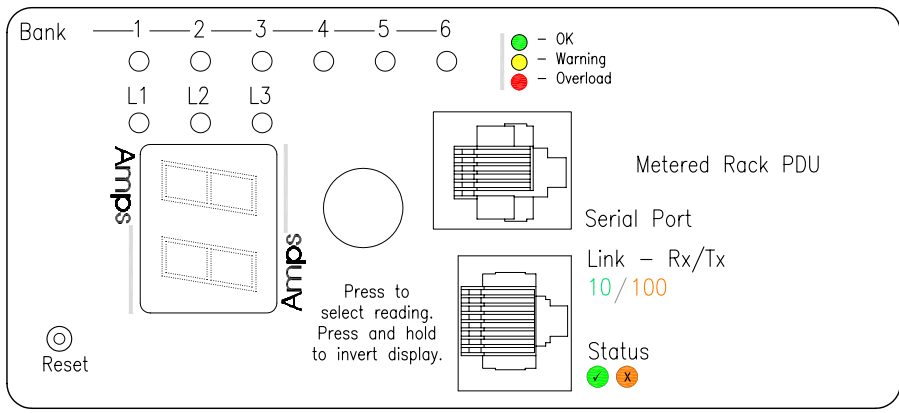
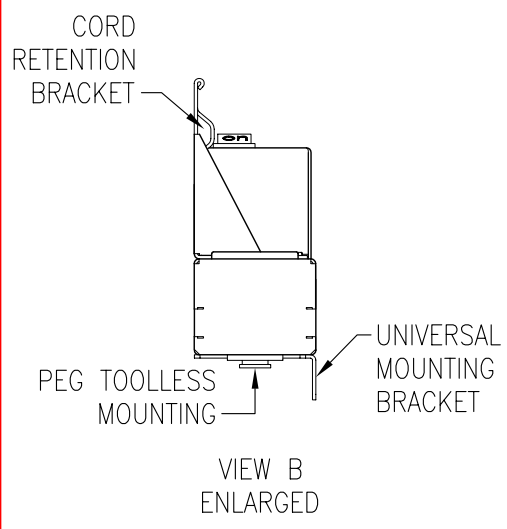


NOTES:

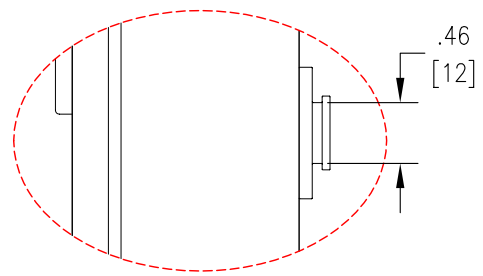
1. INSTALLATION SHALL COMPLY WITH ALL APPLICABLE NATIONAL, STATE, AND LOCAL CODES.
2. PLEASE REFER TO PRODUCT MANUAL FOR FURTHER INFORMATION.
3. ALL DIMENSIONS ARE IN INCHES [MILLIMETERS]
4. NET WEIGHT IS 22.8 LBS [10.34 KG]
5. LENGTH OF CORD IS 120.00 INCHES [3048 mm].
6. UNIVERSAL MOUNTING BRACKET IS AN ALTERNATIVE MOUNTING METHOD TO THE TOOLLESS MOUNT
7. BRACKET KITS TO MOUNT TO SPECIFIC COMPETITORS RACKS ARE AVAILABLE AS OPTIONS.



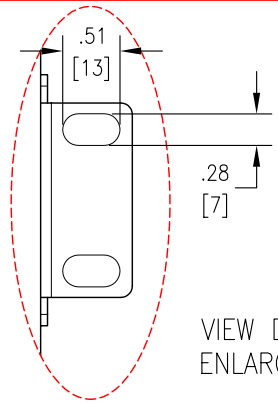
VIEW A
DISPLAY INTERFACE
ENLARGED



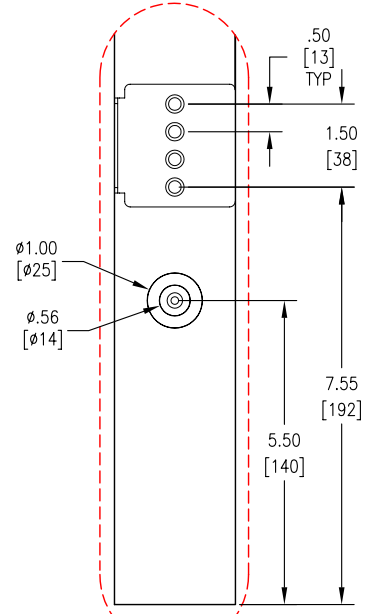
VIEW B
ENLARGED



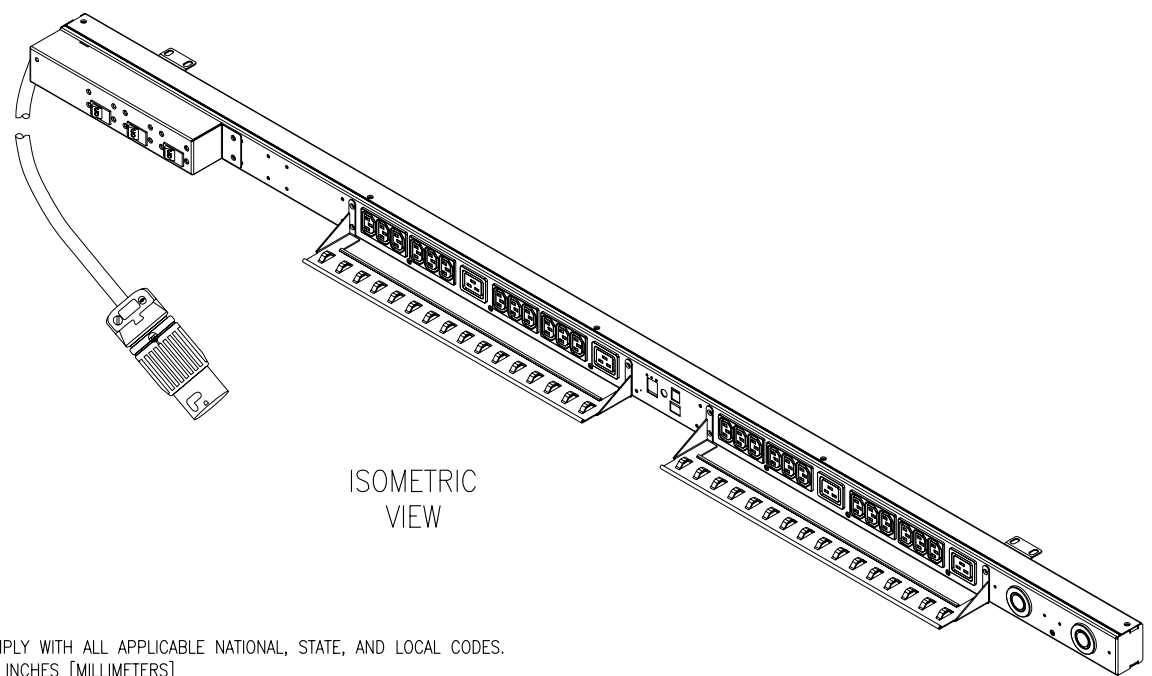
VIEW C - ENLARGED



VIEW D
ENLARGED



VIEW E
ENLARGED



ISOMETRIC
VIEW

- NOTES:
1. INSTALLATION SHALL COMPLY WITH ALL APPLICABLE NATIONAL, STATE, AND LOCAL CODES.
 2. ALL DIMENSIONS ARE IN INCHES [MILLIMETERS]