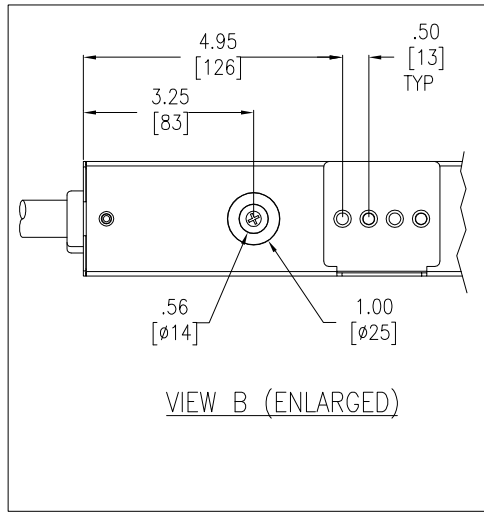
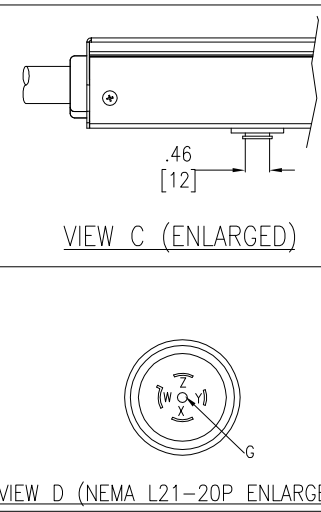


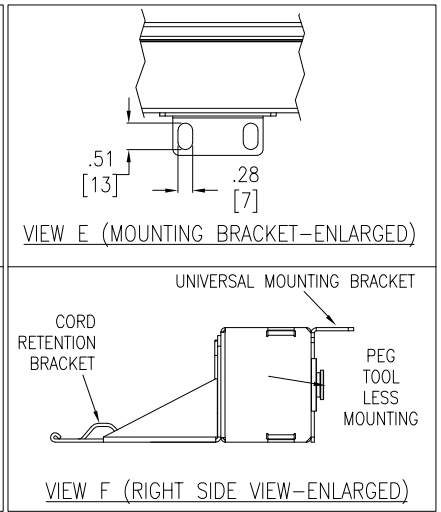
VIEW A (ENLARGED-DISPLAY INTERFACE)



VIEW B (ENLARGED)

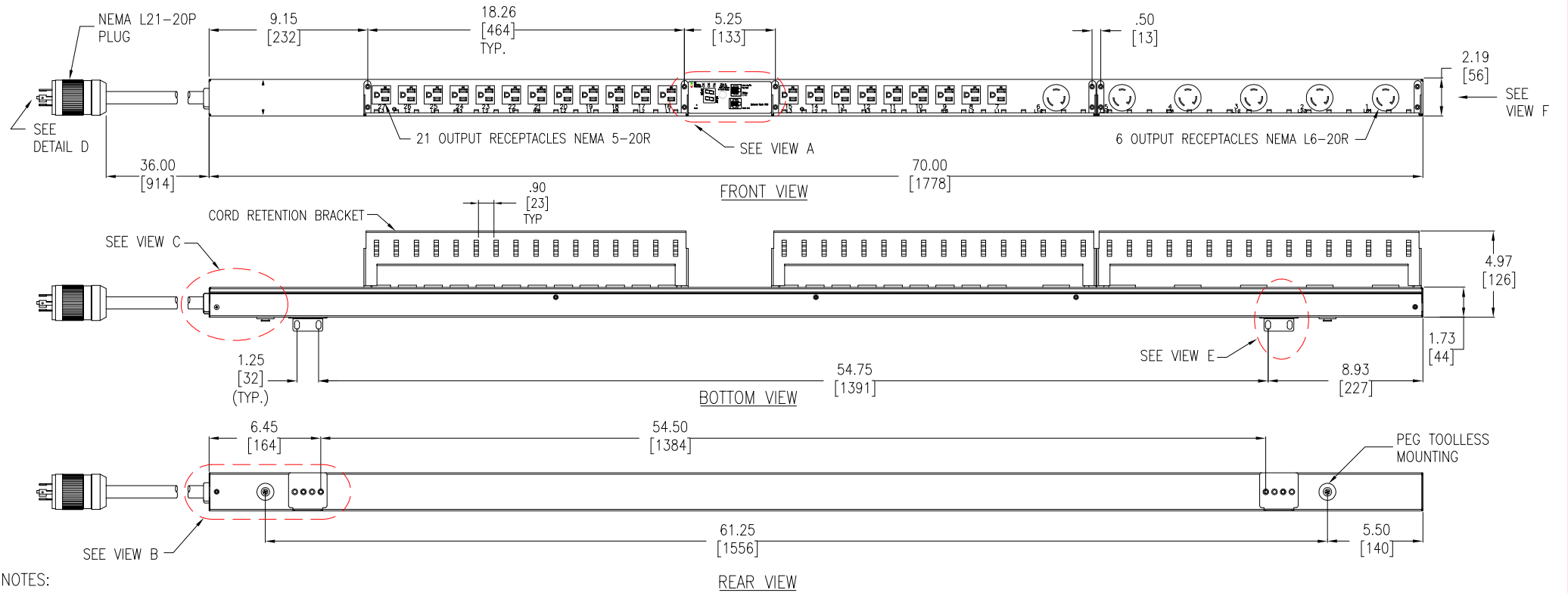


VIEW C (ENLARGED)



VIEW E (MOUNTING BRACKET-ENLARGED)

VIEW F (RIGHT SIDE VIEW-ENLARGED)



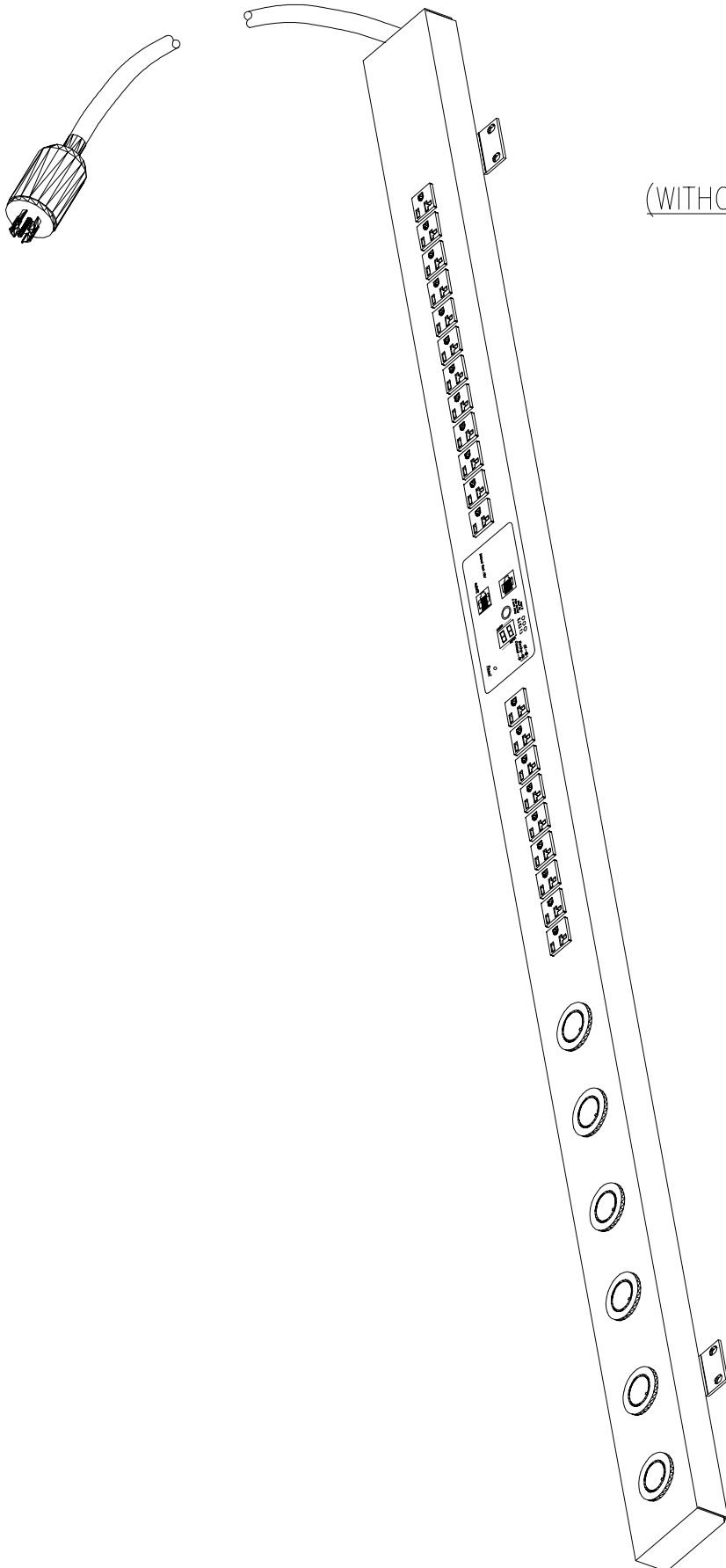
- NOTES:
1. ALL DIMENSIONS ARE IN INCHES [MILLIMETERS].
  2. NET WEIGHT IS 12 LBS [5.5kg]
  3. UNIVERSAL MOUNTING BRACKET IS AN ALTERNATIVE MOUNTING METHOD TO THE TOOLLESS MOUNT
  4. BRACKET KITS TO MOUNT TO SPECIFIC COMPETITORS RACKS ARE AVAILABLE AS OPTIONS.
  5. INSTALLATION MUST COMPLY WITH ALL APPLICABLE NATIONAL AND LOCAL CODES.

ADH-027-N-20A-L212

TITLE: RACK PDU, METERED  
 ZERO U, 5.7kW, 120 & 208V  
 INPUT: NEMA L21-20P  
 OUTPUT: (21) NEMA 5-20R & (6) NEMA L6-20R  
 MAIN MECHANICAL

SHEET 1 OF 2

**Synergy Global Technology Inc**  
[www.RackmountMart.com](http://www.RackmountMart.com)



ISOMETRIC VIEW  
(WITHOUT CORD RETENTION BRACKET)

ADH-027-N-20A-L212

TITLE: RACK PDU, METERED  
ZERO U, 5.7kW, 120 & 208V  
INPUT:NEMA L21-20P  
OUTPUT:(21)NEMA 5-20R & (6)NEMA L6-20R  
ISOMETRIC VIEW

SHEET 2 OF 2