



Synergy Global Technology Inc

www.RackmountMart.com

Toll Free: 1-888-865-6888

Tel: 510-226-8368 Fax: 510-226-8968

Email: sales@RackmountMart.com

User Manual

Widescreen LCD Quad Display Wide 19", 22" screen size

Widescreen LCD Quad Display

Models

LCDR9U22-01

LCDR8U19-09



Widescreen Quad Display Drawer

Models

LCD1U19-017



Options : - DC power

Contents

Chapter 1 **Getting Started**

- Important Safeguards
- Regulatory Notice
- Before Installation
- Unpacking
- Optional Accessories
- Peripheral Products

Widescreen LCD Quad Display

Chapter 2 **LCDR9U22-01 / 8U19-09**

- Package Contents
- Structure Diagram
- Installation
- Connection

Chapter 3 **LCD1U19-017**

- Package Contents
- Structure Diagram
- How to Install “One Man” Installation Slides
- How to Use the Slides
- Connection

Chapter 4 **LCD Specification**

Chapter 5 **Dimensions**

Chapter 6 **Operation**

- On-screen Display Operation
- On-screen Menu

Chapter 7 **Quad Operation**

- Basic System Connection
- Alarm I/O Connection & Operation
- Remote Control Connection & Operation
- Quad Display Connection
- Quad Display On-screen Menu
- VCR Operations
- Quad Display Specification

Chapter 8 **Options**

- DC Power

Chapter 9 **Troubleshooting**

1.1 Important Safeguards

Chapter 1

Please read all of these instructions carefully before you use the device. Save this manual for future reference.

What the warranty does not cover

- Any product, on which the serial number has been defaced, modified or removed.
- Damage, deterioration or malfunction resulting from:
 - Accident, misuse, neglect, fire, water, lightning, or other acts of nature, unauthorized product modification, or failure to follow instructions supplied with the product.
 - Repair or attempted repair by anyone not authorized by us.
 - Any damage of the product due to shipment.
 - Removal or installation of the product.
 - Causes external to the product, such as electric power fluctuation or failure.
 - Use of supplies or parts not meeting our specifications.
 - Normal wear and tear.
 - Any other causes which does not relate to a product defect.
- Removal, installation, and set-up service charges.

Legal Information

First English printing, October 2002

Information in this document has been carefully checked for accuracy; however, no guarantee is given to the correctness of the contents. The information in this document is subject to change without notice. We are not liable for any injury or loss that results from the use of this equipment.

Safety Instructions

- Unplug equipment before cleaning. Don't use liquid or spray detergent; use a moist cloth.
- Keep equipment away from excessive humidity and heat. Preferably, keep it in an air-conditioned environment with temperatures not exceeding 40° Celsius (104° Fahrenheit).
- When installing, place the equipment on a sturdy, level surface to prevent it from accidentally falling and causing damage to other equipment or injury to persons nearby.
- When the drawer is in an open position, do not cover, block or in any way obstruct the gap between it and the power supply. Proper air convection is necessary to keep it from overheating.
- Arrange the equipment's power cord in such a way that others won't trip or fall over it.
- If you are using a power cord that didn't ship with the equipment, ensure that it is rated for the voltage and current labeled on the equipment's electrical ratings label. The voltage rating on the cord should be higher than the one listed on the equipment's ratings label.
- Observe all precautions and warnings attached to the equipment.
- If you don't intend on using the equipment for a long time, disconnect it from the power outlet to prevent being damaged by transient over-voltage.
- Keep all liquids away from the equipment to minimize the risk of accidental spillage. Liquid spilled on to the power supply or on other hardware may cause damage, fire or electrical shock.
- Only qualified service personnel should open the chassis. Opening it yourself could damage the equipment and invalidate its warranty.
- If any part of the equipment becomes damaged or stops functioning, have it checked by qualified service personnel.

Regulatory Notices Federal Communications Commission (FCC)

This equipment has been tested and found to comply with the limits for a Class B digital device, pursuant to Part 15 of the FCC rules. These limits are designed to provide reasonable protection against harmful interference in a residential installation.

Any changes or modifications made to this equipment may void the user's authority to operate this equipment. This equipment generates, uses, and can radiate radio frequency energy and, if not installed and used in accordance with the instructions, may cause harmful interference to radio communications.

However, there is no guarantee that interference will not occur in a particular installation. If this equipment does cause harmful interference to radio or television reception, which can be determined by turning the equipment off and on, the user is encouraged to try to correct the interference by one or more of the following measures:

- Re-position or relocate the receiving antenna.
- Increase the separation between the equipment and receiver.
- Connect the equipment into an outlet on a circuit different from that to which the receiver is connected.

- It is very important to locate the Rackmount LCD Drawer / Display in a suitable environment.
- The surface for placing and fixing the Rackmount LCD Drawer / Display should be stable and level or mounted into a suitable cabinet.
- Make sure the place has good ventilation, is out of direct sunlight, away from sources of excessive dust, dirt, heat, water, moisture and vibration.
- Convenience for connecting the Rackmount LCD Drawer / Display to the related facilities should be well considered too.

1.4 Unpacking

The Rackmount LCD Drawer / Display comes with the standard parts shown on the package contents. Check and make sure they are included and in good condition. If anything is missing, or damage, contact the supplier immediately.

1.5 Optional Accessories

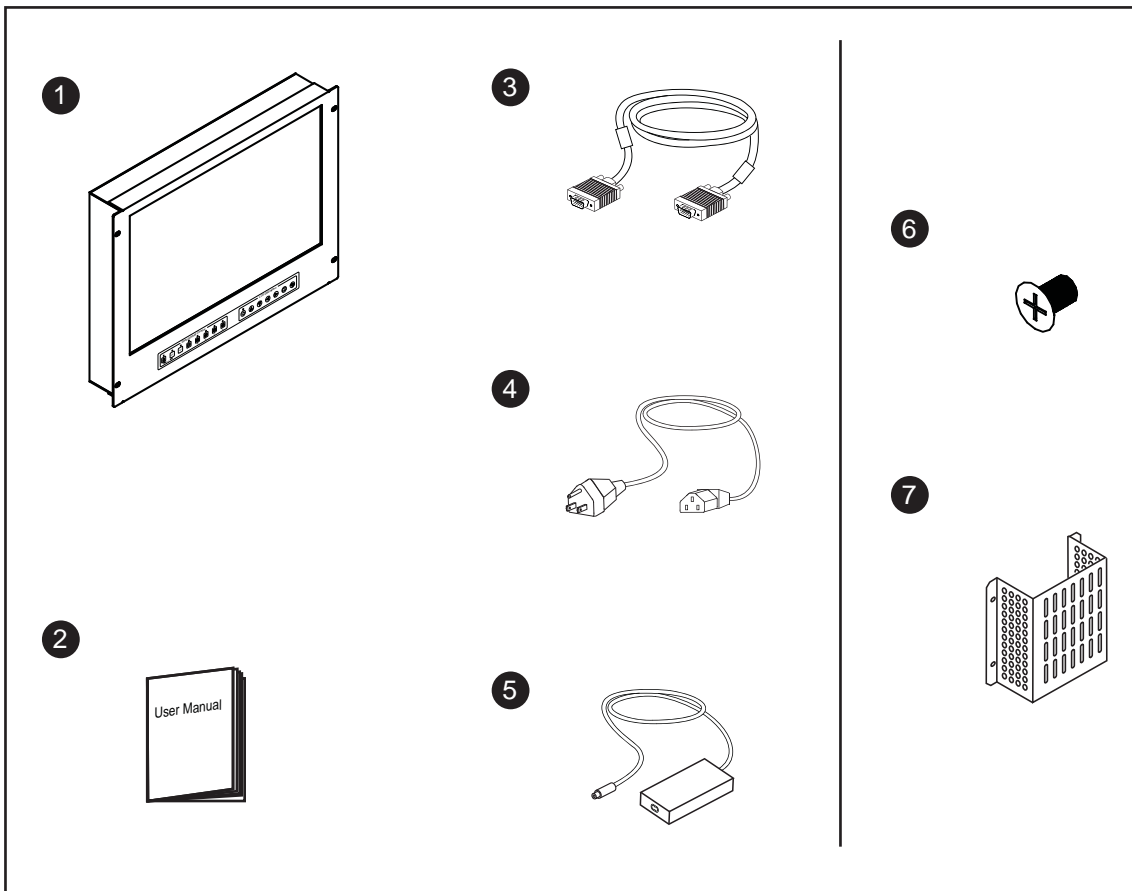
1. Power Cord

- 1.1 IEC power cord
- 1.2 NEMA 5-15 power cord (US)
- 1.3 BS 1363 power cord (UK)
- 1.4 CEE 7/4 power cord (German)
- 1.5 AS 3112 power cord (Australia)



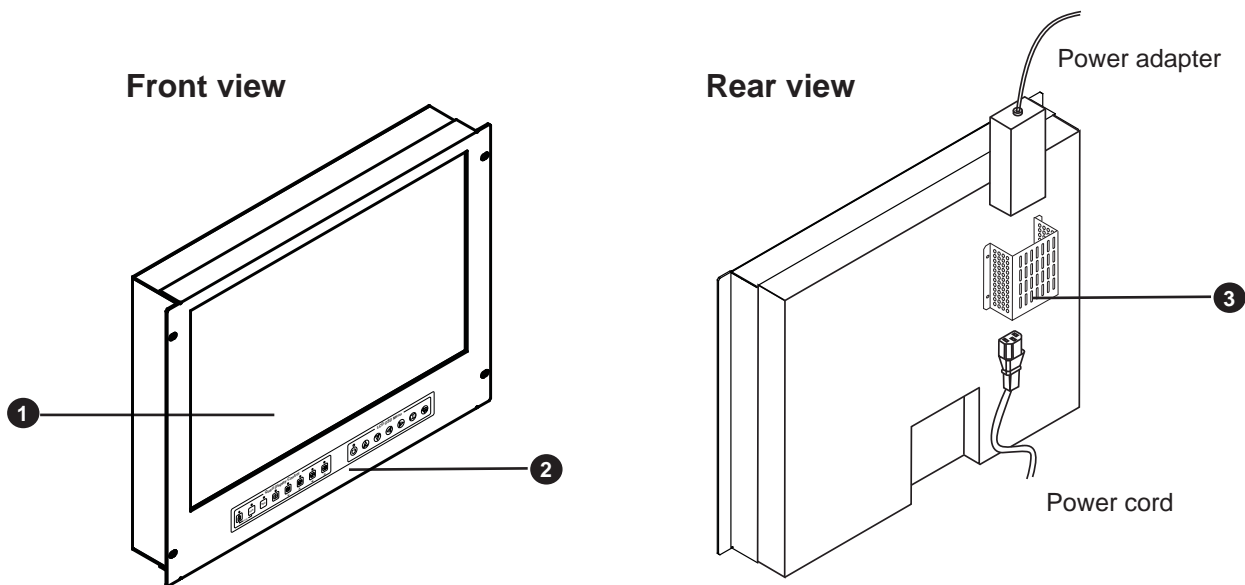
| Item | Model No. | Description |
|-------------------------|------------------------|---|
| Matrix Cat6 KVM | LCDK2006-2 / 3 / 4 | Matrix Cat6 16 port KVM |
| | LCDK2012-31 / 41 / 42 | Matrix IP Cat6 16 port KVM |
| | LCDK2007-2 / 3 / 4 | Matrix Cat6 32 port KVM |
| | LCDK2013-31 / 41 / 42 | Matrix IP Cat6 32 port KVM |
| Matrix DB-15 KVM | LCDK2004- 2 / 3 / 4 | Matrix DB-15 8 port KVM |
| | LCDK2010-31 / 41 / 42 | Matrix IP DB-15 8 port KVM |
| | LCDK2005-2 / 3 / 4 | Matrix DB-15 16 port KVM |
| | LCDK2011-31 / 41 / 42 | Matrix IP DB-15 16 port KVM |
| Combo Cat6 KVM | LCDK2001 / 2002 / 2003 | Combo Cat6 8 port KVM |
| | LCDK1043 / 1045 / 1047 | Combo Cat6 16 port KVM |
| | LCDK1044 / 1046 / 1048 | Combo Cat6 32 port KVM |
| Combo DB-15 KVM | LCDK1020 / 1024 / 1038 | Combo DB-15 8 port KVM |
| | LCDK1021 / 1025 / 1039 | Combo DB-15 16 port KVM |
| PS/2 DB-15 KVM | LCDK1009 / 1010 / 1011 | 4 / 8 / 16 port PS/2 DB-15 KVM |
| Keyboard Drawer | LCDK1002 | Rackmount keyboard drawer (with KVM options) |
| | LCDK1016 | Rackmount keyboard drawer (short depth version) |

LCDR8U19-09 / 9U22-01



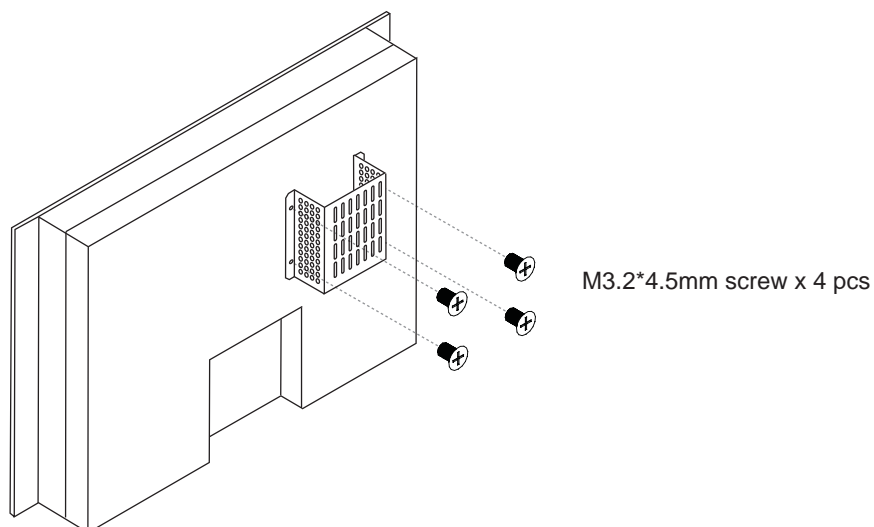
- ① Rackmount LCD display x 1 pc
- ② User manual x 1 pc
- ③ 6' VGA cable (male to male) x 1 pc
- ④ Power cord x 1 pc
- ⑤ Auto switch power adapter x 1 pc
- ⑥ M3.2*4.5mm screw x 4 pcs
- ⑦ Power adapter bracket x 1 pc

LCDR8U19-09 / 9U22-01

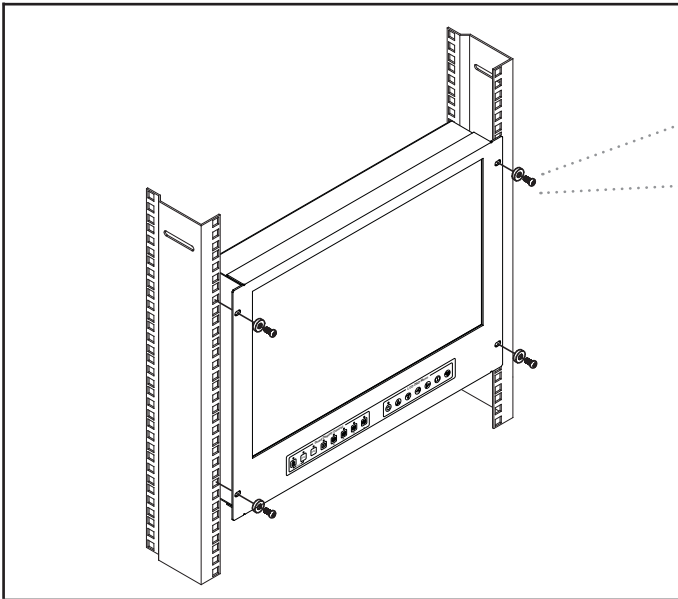


- ① LCD interchangeable module kit
- ② 2-in-1 LCD + Quad display membrane
- ③ Power adapter bracket

Power adapter bracket installation

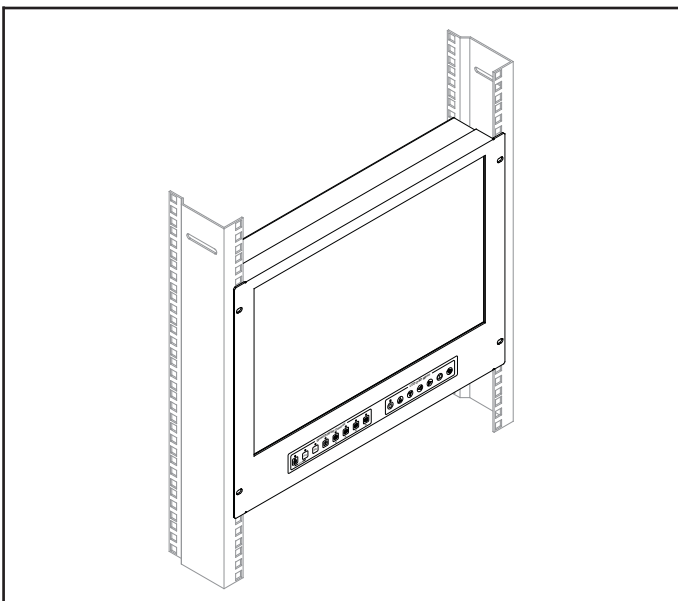


LCDR8U19-09



■ Install each screw shown in **Figure 1**.

Figure 1.



■ Fixed the LCD into the rack.

* M6 screws are not provided.

Figure 2.

LCDR9U22-01

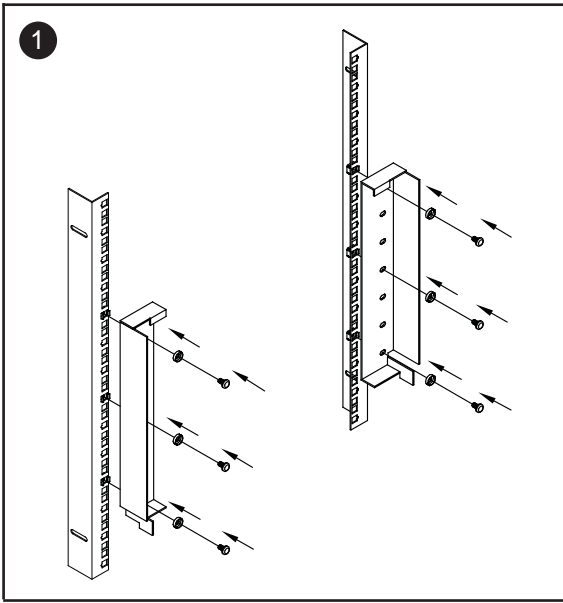


Figure 3.

■ Install each screw shown in **Figure 3**.

* M6 screws is not provided.

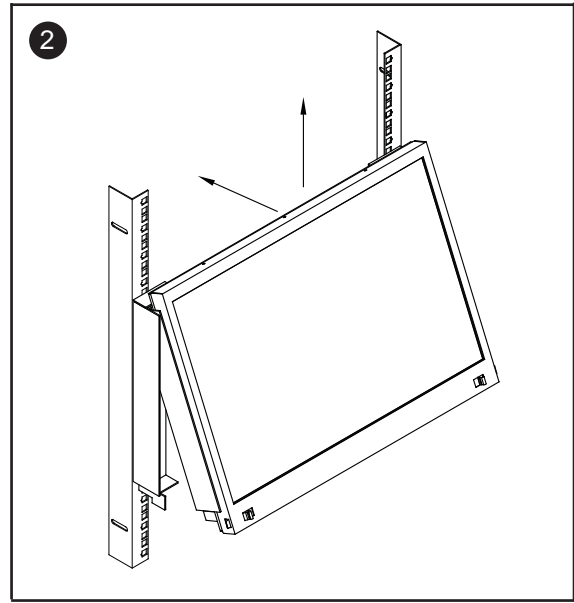


Figure 4.

■ Insert the upper part of the LCD display to the rack shown in **Figure 4**.

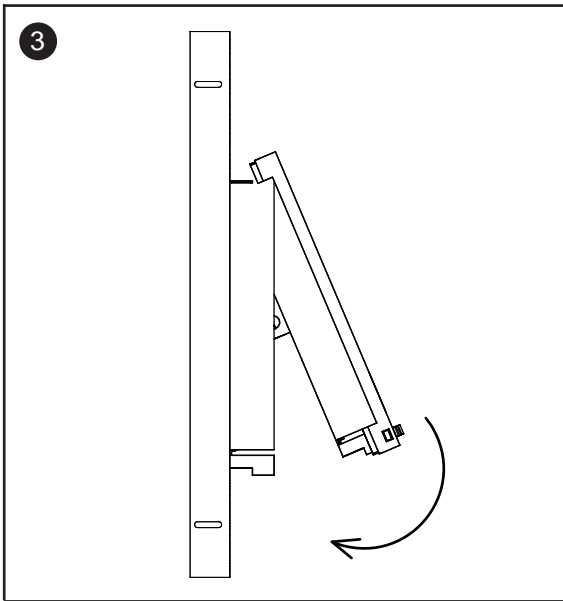


Figure 5.

■ Push the lower part of the LCD into the rack.

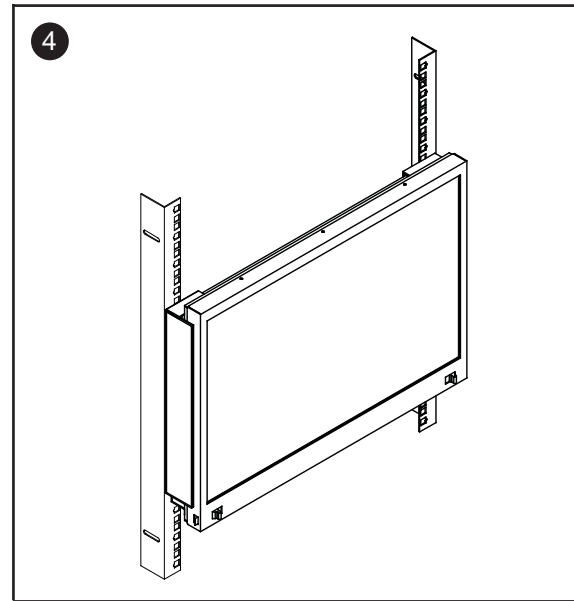
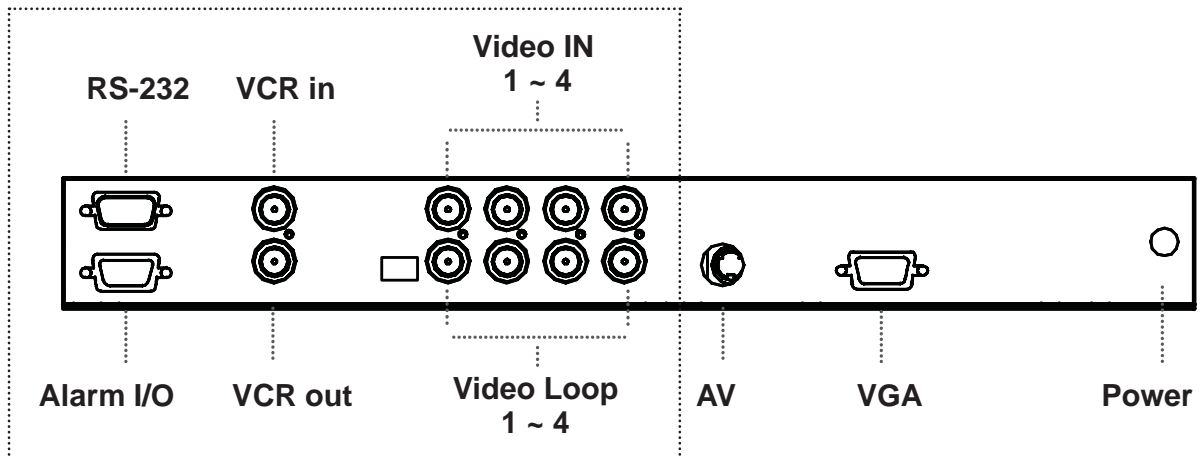


Figure 6.

■ Installation completed.

LCDR8U19-09 / 9U22-01

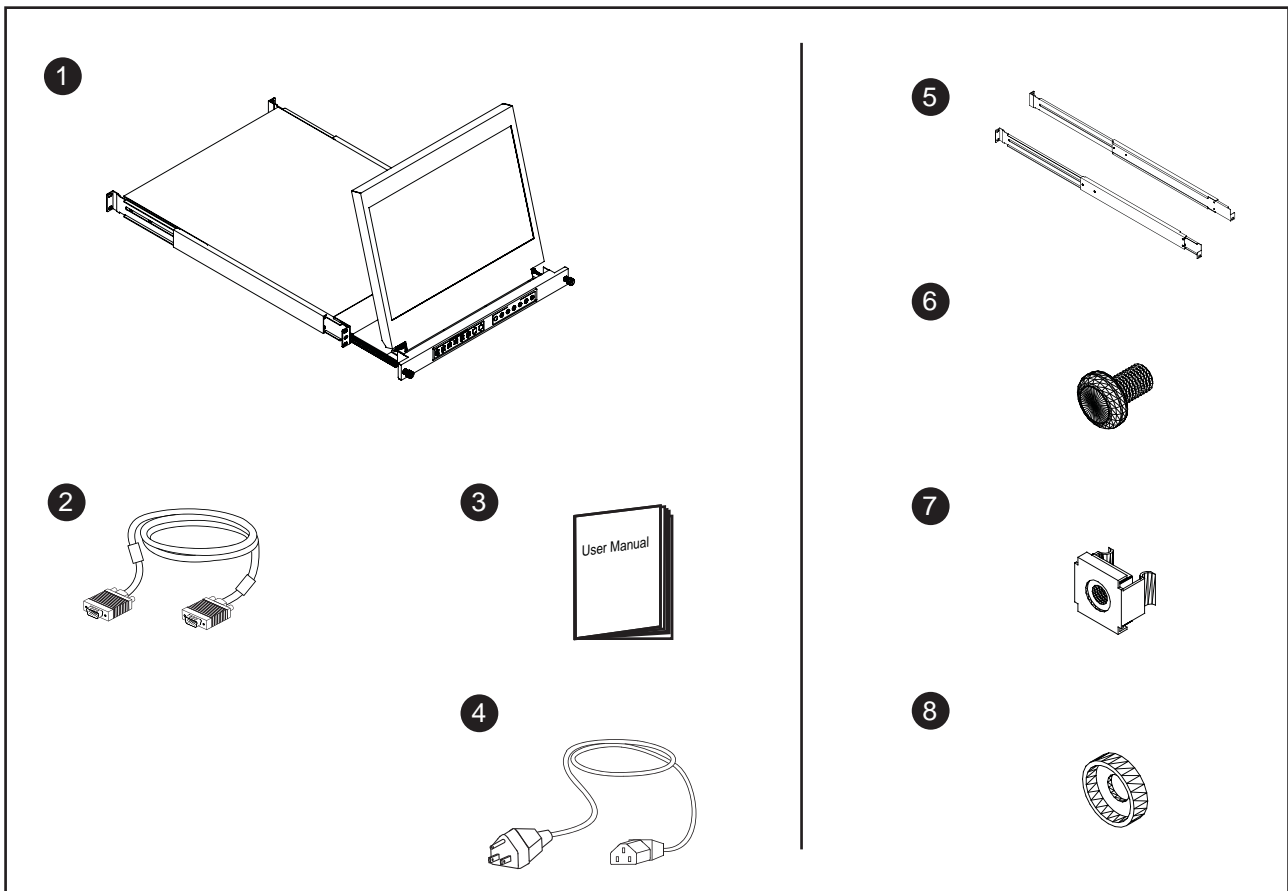


■ Please refer to P.27 - 39



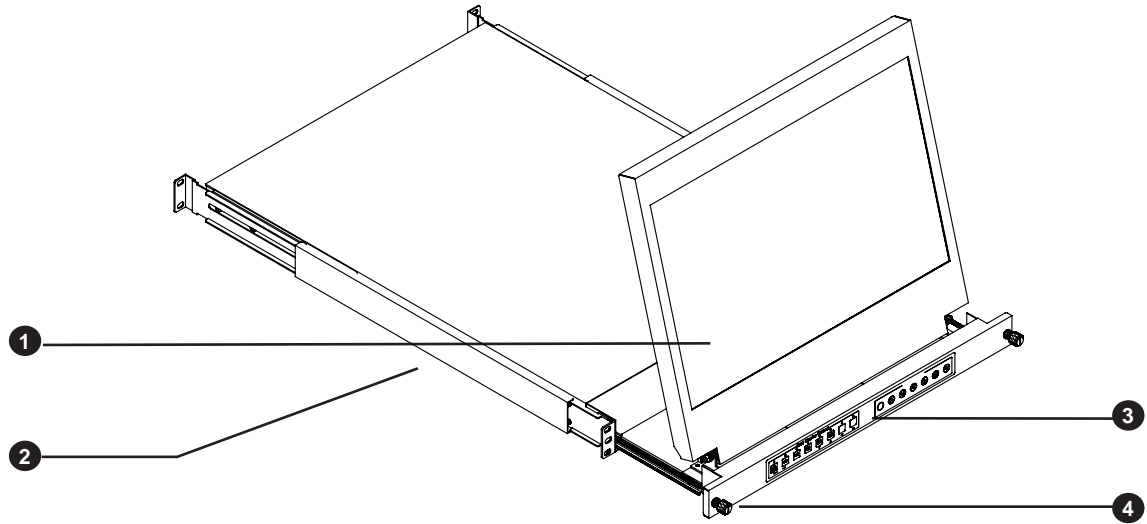
Caution : The Rackmount LCD Drawer & Display are hot-pluggable, but components of connected devices, such as the servers and KVM switch, may not be hot-pluggable. Plugging and unplugging cables while servers and KVM are powered on may cause irreversible damage of the servers, KVM and Rackmount LCD Drawer. Before attempting to connect anything to the Rackmount LCD Drawer, we suggest turning off power to all devices before connecting them. Apply power to connected devices again only after the Rackmount LCD Drawer is receiving power. The company is not responsible for damage caused in this way.

LCD1U19-017



- ① LCD drawer x 1 pc
- ② 6' VGA cable (male to male) x 1 pc
- ③ User manual x 1 pc
- ④ Power cord x 1 pc
- ⑤ Mounting bracket x 2 pcs
- ⑥ M6*15mm screw x 8 pcs
- ⑦ M6 cage nut x 8 pcs
- ⑧ Cup washer x 8 pcs

LCD1U19-017



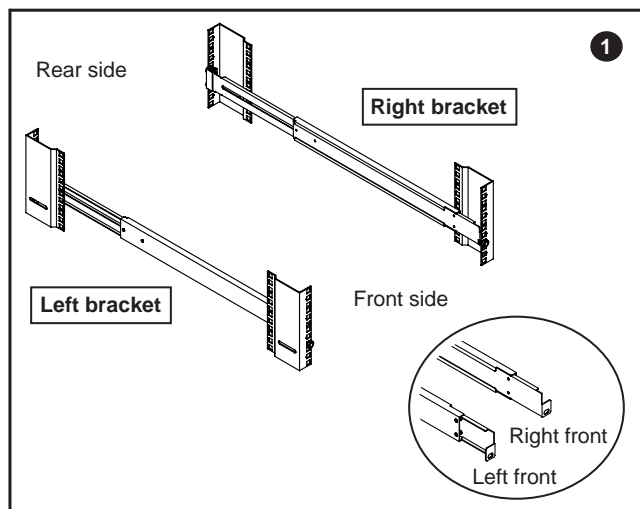
① LCD interchangeable module kit

② "One Man" Installation Slides

③ LCD + Quad display membrane

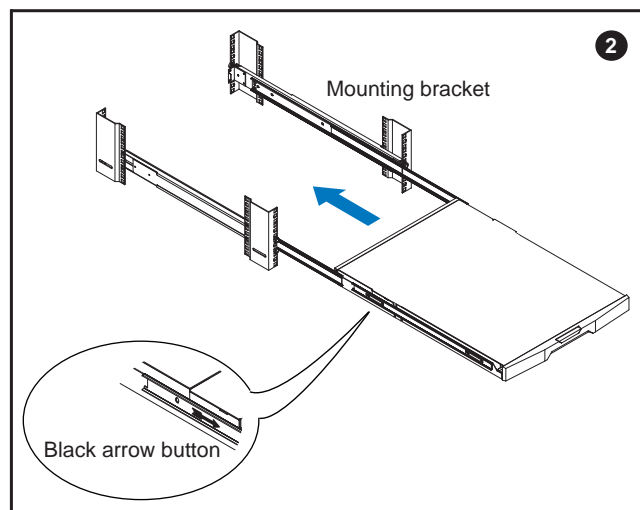
④ Thumb Screw

Install into rack

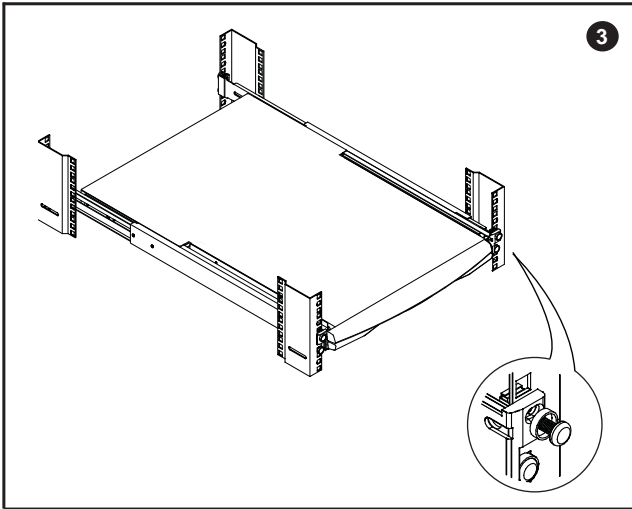


- Attach the left and right mounting bracket to rack 19" mounting rails.
- Adjust the rear mounting bracket to fit your rack.
- M6 screw and cup washer x 6 pcs included.

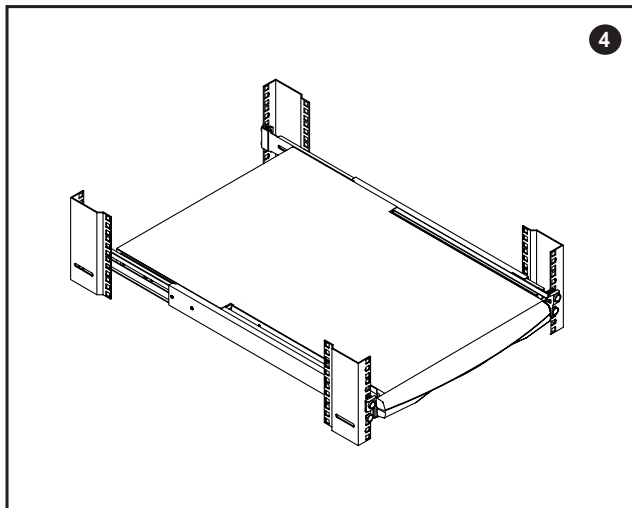
⚠ Caution : Leaving the screws slightly loose, until you complete the installation in step 4



- Pick up the LCD keyboard drawer.
- Insert the LCD keyboard drawer into the mounting bracket.
- Pull and hold the left & right black arrow buttons on the rails.
- Return the LCD keyboard drawer to park position.



- Attach front left and right mounting ears of the LCD keyboard drawer to vertical mounting rails.
- M6 screw and cup washer x 2 pcs included.



Complete the installation

- Tighten all 8 pcs of M6 screw to complete the installation.

3.4 How to Use the Slides

LCD1U19-017

Chapter 3

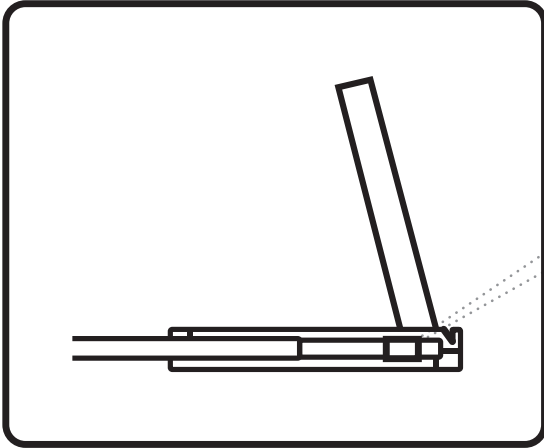


Figure 7.

- A black arrow release button is located on the outside of each slide. (shown in **Figure 7**).

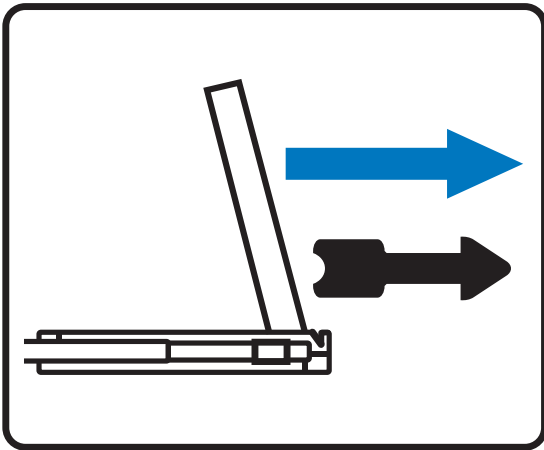


Figure 8.

- Pull and hold the black arrow button on either side of the LCD drawer to unlock. (shown in **Figure 8**).

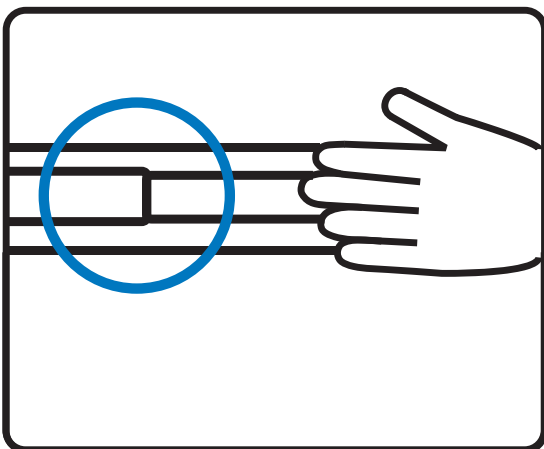

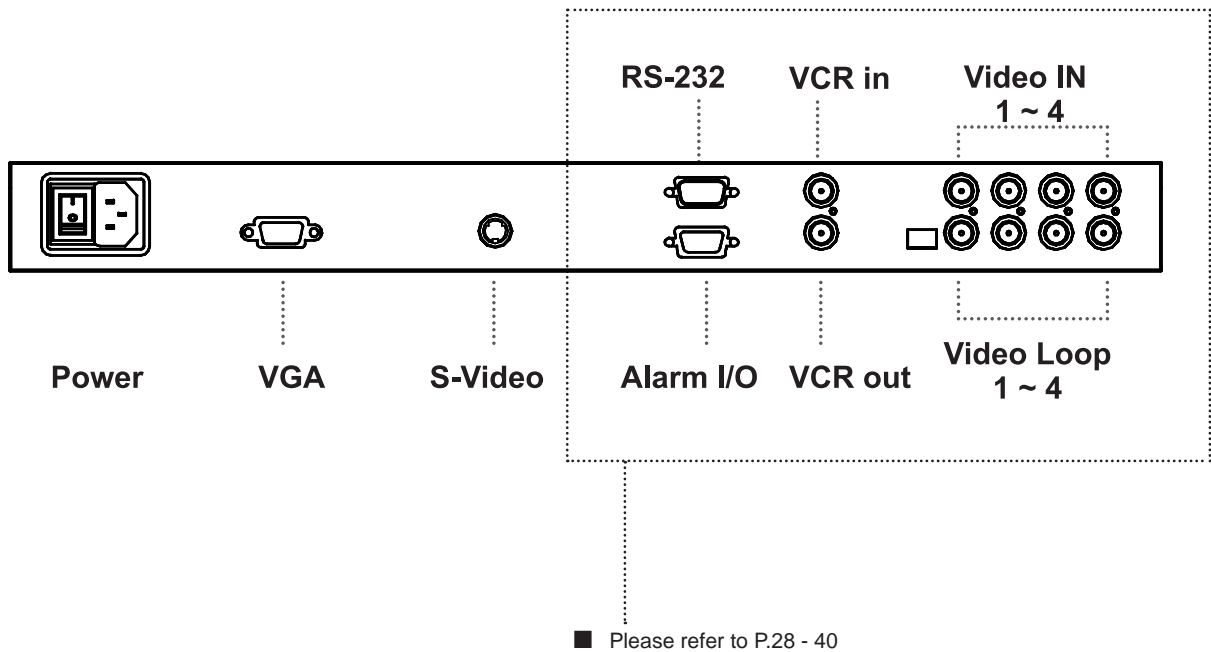


Figure 9.

- Push the LCD drawer into the rack. (shown in **Figure 9**).

 **Caution :** Keep your fingers away from the side stop

LCD1U19-017



Caution : The Rackmount LCD Drawer & Display are hot-pluggable, but components of connected devices, such as the servers and KVM switch, may not be hot-pluggable. Plugging and unplugging cables while servers and KVM are powered on may cause irreversible damage of the servers, KVM and Rackmount LCD Drawer. Before attempting to connect anything to the Rackmount LCD Drawer, we suggest that turn off power to all devices before connecting them. Apply power to connected devices again only after the Rackmount LCD Drawer receiving power. The company is not responsible for damage caused in this way.

LCDR8U19-09 / 9U22-01 / 1U19-017

| Item | Description | |
|---------------------------------|--|------------------------|
| Diagonal Size | Wide 19" TFT | Wide 22" TFT |
| Max. Resolution | 1440 x 990 | 1680 x 1050 |
| Brightness (cd/m ²) | 300 | 300 |
| Color Support | 16.7 M | 16.7 M |
| Contrast Ratio (typ.) | 1000:1 | 1000:1 |
| Viewing Angle (H/V) | 160° x 160° | 170° x 160° |
| Display Area (mm) | 408 x 255 | 474 x 296 |
| Tr Response Time (ms) | 1.3 | 3.6 |
| LCD Panel MTBF (hrs) | 50,000 | 50,000 |
| VGA Signal Input | Analog RGB, 0.7Vp-p | |
| Sync. Type | Separate H/V, Composite, SOG | |
| Resolution | 720 x 400, 70 Hz | |
| | 640 x 480, 60/ 70/ 72/ 75 Hz | |
| | 800 x 600, 60/ 70/ 72/ 75 Hz | |
| | 1024 x 768, 60/ 70/ 75 Hz | |
| | 1152 x 864, 60/ 70/ 75 Hz | |
| | 1280 x 720, 60/ 70/ 75 Hz | 1280 x 720, 60/ 75 Hz |
| | 1280 x 1024, 60/ 70/ 75 Hz | 1280 x 1024, 60/ 75 Hz |
| | 1440 x 900, 60 Hz | 1680 x 1050, 60 Hz |
| Plug & Play DDC | EDID 1.3 | |
| Power Input | Auto-sensing 100 to 240VAC, 50 / 60Hz | |
| Power Consumption | Max. 48 Watt, Standby 5 Watt | |
| Compatibility | Multi-platform - Mix PCs, SUNs, IBMs, HPs & DELLs. | |

Options

| | |
|----------|---|
| DC Power | DC power input with 12V, 24V, 48V selection |
|----------|---|

Environmental

| | |
|-------------------|----------------------------------|
| Operation | 0° to 50°C Degree |
| Storage | -5° to 60°C Degree |
| Relative Humidity | 5~90%, non-condensing |
| Shock | 10G acceleration (11ms duration) |
| Vibration | 5~500Hz 1G RMS random vibration |

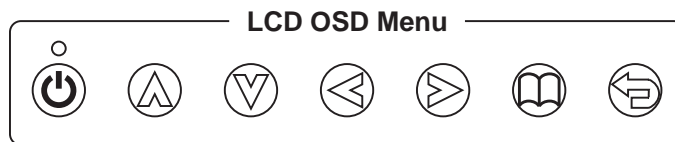
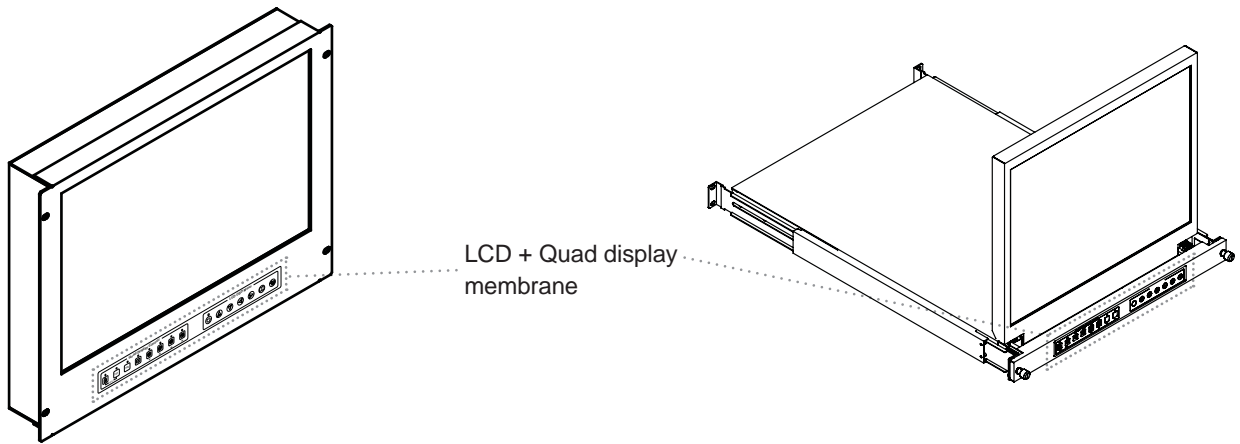
LCDR8U19-09 / 9U22-01 / 1U19-017

| Model | Product Dimension (W x D x H) | | Net Weight |
|-------------|--|----|----------------|
| LCDR9U22-01 | 500.4 x 70.5 mm 19.7 x 2.8" | 9U | 12 kg 26 lb |
| LCDR8U19-09 | 480 x 71.5 mm 18.9 x 2.8" | 8U | 8 kg 18 lb |
| LCD1U19-017 | 445 x 650 x 44 mm 17.5 x 25.6 x 1.73" | | 13 kg 29 lb |






6.1 On-screen Display Operation

Chapter 6

LCDR8U19-09 / 9U22-01 / 1U19-017



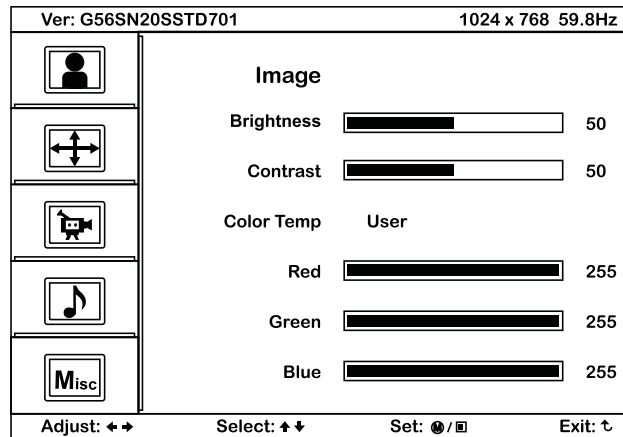
For LCD OSD Menu

| Membrane Switch | Function |
|---|---|
| <ul style="list-style-type: none"> ○ ● ● | Power light Green = On Orange = Power saving |
|  | Power on / off LCD |
|  | Display the OSD menu |
|  | Scrolls through menu options and adjusts the displayed control (To auto adjustment by pressing the button  for 5 seconds) |
|  | Exit the OSD screen Toggle analog, digital & video connection (DVI-D and video options only) |

For Quad Display Control

Remarks :

- Quad Display Control please refer to P.28 - 40

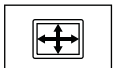


OSD Configuration Page



Image:

To enter into the brightness, contrast, color temp, red, green, and blue



Geometry:

To enter into the auto adjust, H position, V position, phase and clock



Video:

To enter into the colour, tint, sharpness, noise reduction, DCDi and TV Setup



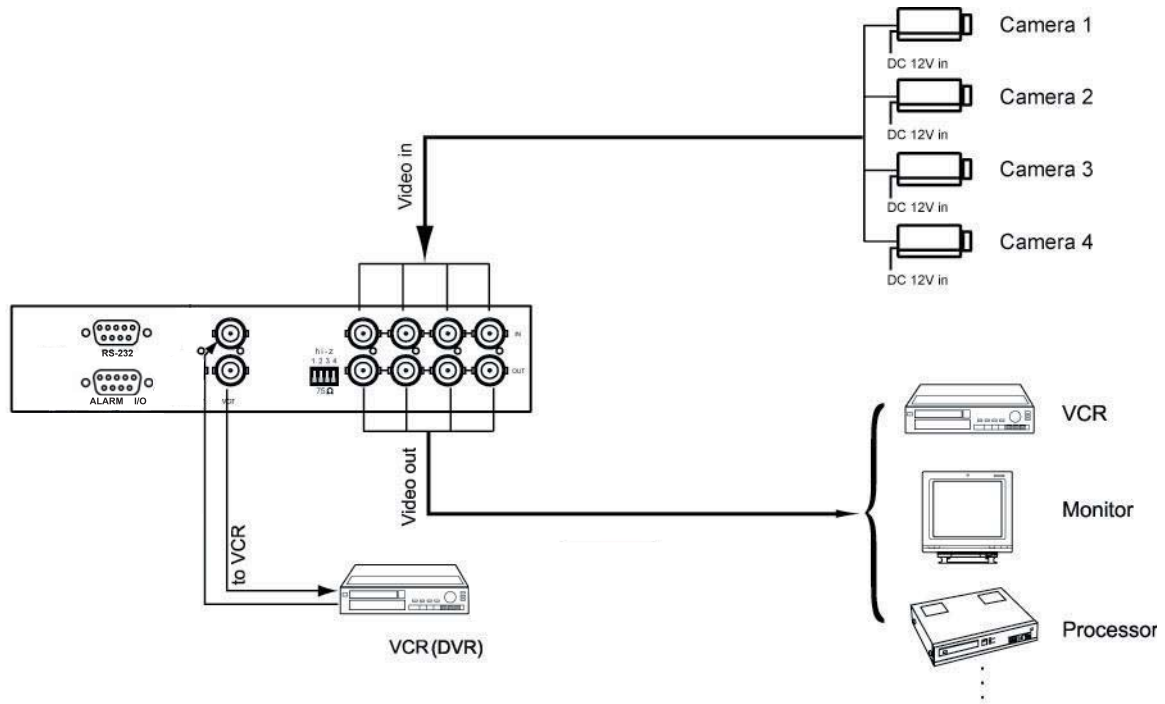
Audio:

To enter into volume, bass, treble, balance, AVL and mute



Misc:

To enter into the language, OSD position, graphic mode, ratio, reset and timer



1. VCR in :

This BNC connector is connected to video output from VCR/DVR. A pre-recorded quad screen signal from a tape can be played back through a VCR/DVR and displayed on the video output channels. Push the VCR button (#2) to switch the device to VCR Playback mode.

2. VCR out :

This BNC connector is to be connected to the Video in from your VCR/DVR. It will only provide a quad screen video to ensure an un-interrupted video recording for all four cameras. The display video is not affected by the control panel.

3. Terminations :

These impedance switches are used to provide proper termination for each camera input. These switches toggle between 75Ω and Hi-Z impedance. Incorrect termination will degrade the quality of the video signal. All video inputs not “looped through” to another device, the corresponding switches need to be set to 75Ω termination position. If another device is connected to video out loop through connector set the corresponding termination switch to Hi-Z position. Any device connected to the video out loop through connectors needs to be configure to 75Ω video termination. The factory default termination setting is 75Ω.

4. Ch1 In, Ch2 In, Ch3 In, and Ch4 In Video IN connectors :

These BNC connectors are used to connect to the video out from camera. Four cameras can be connected to these connectors to form a quad screen in the following mapping order.



5. Ch1 Out, Ch2 Out, Ch3 Out, and Ch4 Out Video Loop through connectors :

These connectors are used to loop video signals from each camera out to other devices.

1. ALARM I/O :

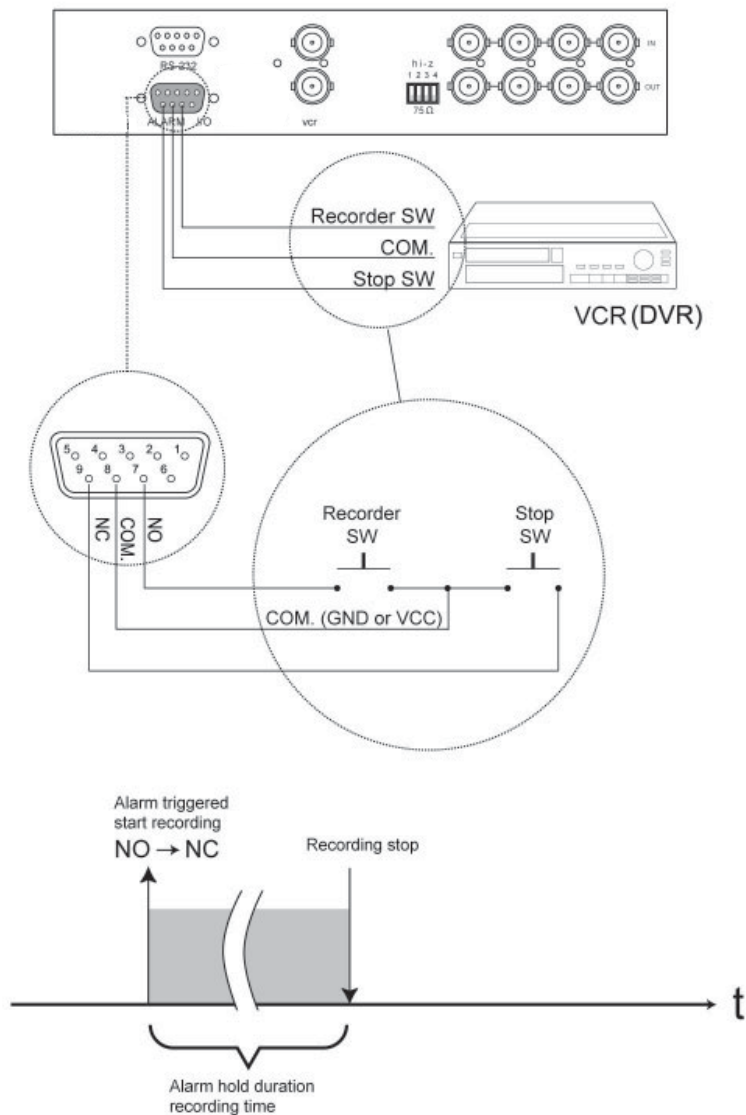
This female type 9 pin D-sub connector is used for alarm sensor input and alarm output control connections. It provides Normal Open and Normal Close contacts for alarm out control.

| Pin Assignment for Alarm Connector (female type) | | | | | |
|--|----------|------|----------|------|----------------------|
| PIN# | | PIN# | | PIN# | |
| 1 | Sensor 1 | 4 | Sensor 4 | 7 | Normal Open Contact |
| 2 | Sensor 2 | 5 | Reset In | 8 | Common Contact |
| 3 | Sensor 3 | 6 | GND | 9 | Normal Close Contact |

The Alarm Hold Time can be configured from 0 second to 99 minutes for FIO-8037 / FIO-8134 through system Setup menu.

2. VCR Connection for Tape Recording Start and Stop Control :

Connecting the contacts of VCR RECORD and STOP switch to the alarm output NC and NO contacts will allow you to use an ordinary VCR to record for longer period of time. Combined with alarm sensor detection, the VCR will record only when an alarm sensor is activated.



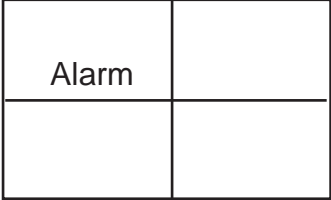

*. If more than one sensor have been triggered, VCR will start to record after the last triggered event.

*. In order to make use of the alarm called full screen display function, the VIDEO IN connector from the VCR has to be connected to LIVE monitor connector of the device. If more than one sensor are triggered, VCR will then record all the events in full screen mode accordingly.

3 Sensor Activated Alarm

The unit is equipped with 4 alarm sensor inputs. If any alarm is activated:

- the built-in buzzer will be activated.
- the quad will switch the corresponding channel indicator LED to blinking mode.
- a warning message depending on different models will be displayed as follows:

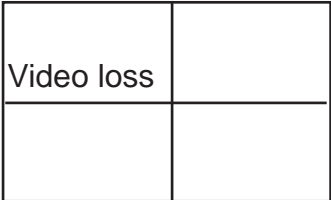
| Quad output channel (#4) | LIVE output channel (#5) |
|--|---|
| <div style="text-align: center;">  </div> <p data-bbox="161 779 711 846">Blinking Alarm & Title message on the activated channel in quad screen</p> | <div style="text-align: center;">  </div> <p data-bbox="727 779 1358 846">Full screen display of the activated channel. Also display a blinking Alarm message</p> |

Above mentioned alarm can be cleared by: If the device is operated under Security Lock ON mode, Push Lock button for 2 seconds to disable the function then push any button in the front panel.

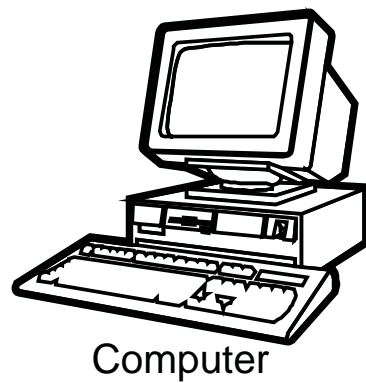
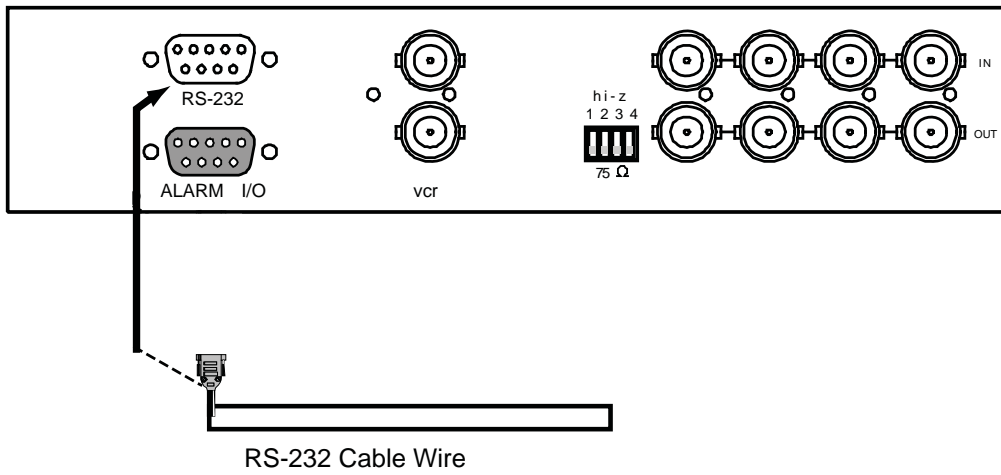
4 Video Loss Alarm

Loss of video at any input is automatically detected by the device. The device will:

- Activate the built-in buzzer.
- Switch the corresponding channel indicator LED to blinking mode.
- Display warning message on quad screen:

| Quad output channel (#4) |
|---|
| <div style="text-align: center;">  </div> <p data-bbox="161 1597 683 1706">Blinking Video Loss & Title message on the activated channel in quad screen</p> |

- The warning message and the buzzer can be cleared by pushing Lock button (#2) for more than 4 seconds if the device is operated under Security lock On mode, or pushing any button on the front panel if the device is operated under Security lock OFF mode.



Computer

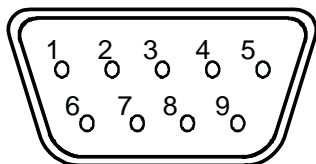
7.3 Remote Control Connection & Operation

Chapter 7

The device may be controlled via the male type 9 pin D-sub/RS-232 connector (#13) from a RC-5002 keypad, terminal or computer using ASCII code.

Note: Please power off the unit before connecting the Remote Control keypad.

1. Pin assignment of the male type 9 pin D-sub connector:



| Pin Assignment for Remote Control Connector | | | | | |
|---|-----|---|-----|---|-----|
| 1 | GND | 4 | NC | 7 | VCC |
| 2 | RX | 5 | NC | 8 | GND |
| 3 | TX | 6 | VCC | 9 | GND |

When a computer is used to control this device through a RS-232 port, pin 6, 7, 8, and 9 must be disconnected to prevent connecting the VCC and GND signals from the device to the computer. A RS-232 port only uses pin 1, 2, and 3 for control signal transmission.

2. A terminal or computer can be connected to the male type 9 pin D-sub connector on the real panel from it RS-232 port to control this device using standard, uppercase ASCII codes.

2.1 The ASCII command codes for the quad are listed in the table below. The transmission protocol is 1200-baud rate, 8 data bit, 1 start bit, 1 stop bit, and no parity.

| Function | ASCII Command Code |
|-------------------------|--------------------|
| Quad Screen Display | E |
| CH 1 | A |
| CH 2 | B |
| CH 3 | C |
| CH 4 | D |
| Freeze *1 | EA, EB, EC, ED |
| Auto Switching Sequence | F |
| VCR/Live | G |
| Key Lock *2 | H |
| Setup Menu *3 | GH |
| Text Select Down *4 | (GH) A |
| Text Select Up | (GH) B |
| Cursor Left | (GH) C |
| Cursor Right | (GH) D |
| Alarm Reset | I |

*1. In order to control the device to operate in Zoom mode, the computer has to first send command code " " to switch the signal source from camera to VCR/DVR, at this time the device will automatically zoom channel 1 video from VCR/DVR to full screen. User can then input a corresponding channel code to zoom any other specific channel. Input the corresponding channel code again to put the specific channel to freeze mode and send the code again to clear the freeze mode.

Example: Input GE, (GE) B, (GE) C, and (GE) D for zooming the video signal in channel 1 to 4 from VCR/DVR. Input "A", "B", "C", "D" again to freeze the specific channel. Send command code "G" again to get back to Live input mode.

*2. Computer has to send out command code "H" continuously for 2 seconds to switch the device between security lock ON and OFF mode. If any alarm is activated under security lock ON mode, the device has to send out command code "H" continuously for more than 4 seconds to clear the alarm.

*3. Setup menu is switched ON by sending VCR/DVR and Lock button codes together.

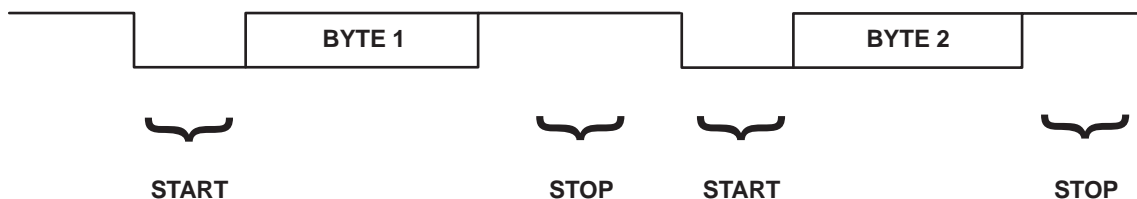
*4. Text Select and Cursor Control functions can be performed only under menu Setup mode.

2.2 Right after computer/terminal has sent out the above mentioned control command code to the device, the device will respond with following status code back to computer through RS-232 port:

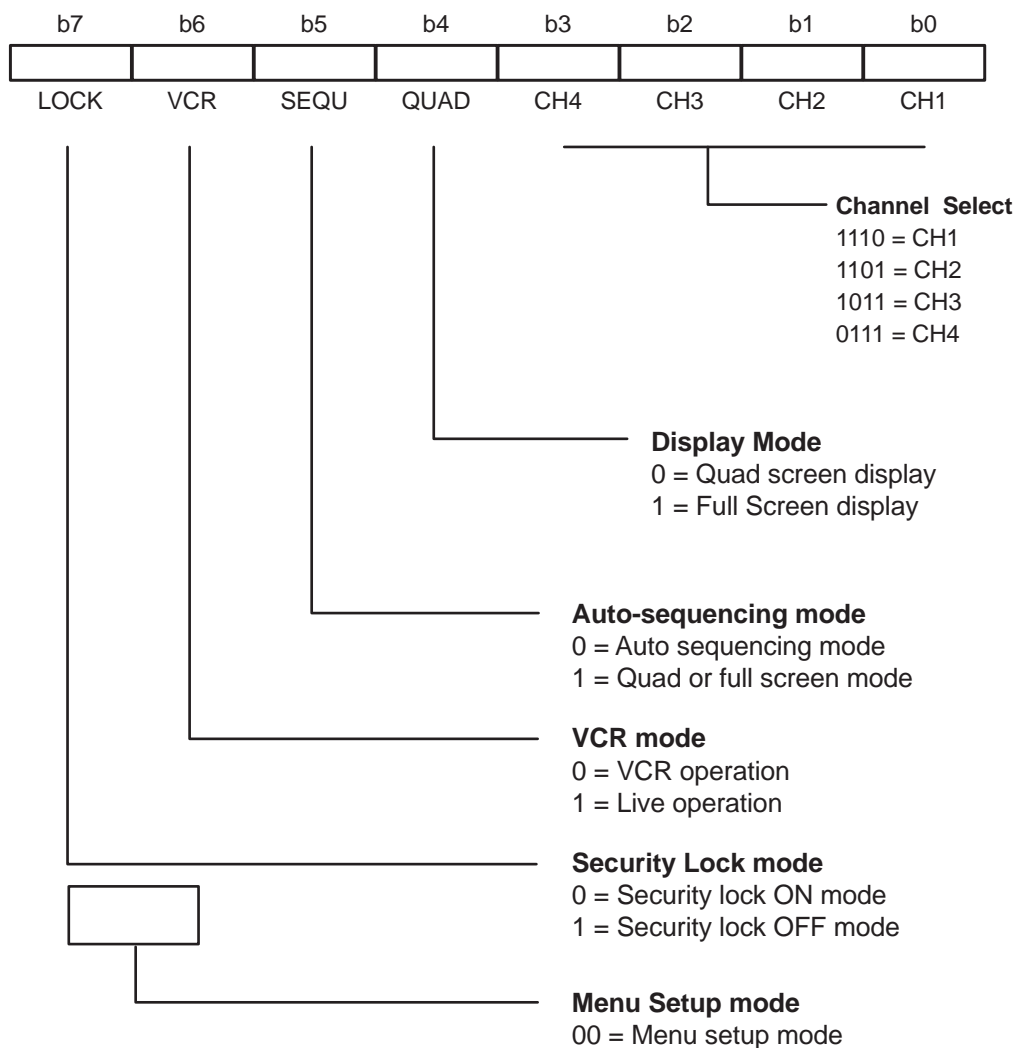
| Status Code | Quad Status | Status Code | Quad Status |
|-------------|------------------------------|----------------------|----------------------------------|
| EF | Device in Quad mode | DE | CH1 in Sequence mode |
| EE | CH1 in Freeze mode | DD | CH2 in Sequence mode |
| ED | CH2 in Freeze mode | DB | CH3 in Sequence mode |
| EC | CH1 & 2 in Freeze mode | D7 | CH4 in Sequence mode |
| EB | CH3 in Freeze mode | CF | Quad display in Sequence mode |
| EA | CH1 & 3 in Freeze mode | | |
| E9 | CH2 & 3 in Freeze mode | E | CH1 in Full screen mode |
| E8 | CH1, 2, & 3 in Freeze mode | D | CH2 in Full screen mode |
| E7 | CH4 in Freeze mode | B | CH3 in Full screen mode |
| E6 | CH1 & 4 in Freeze mode | 7 | CH4 in Full screen mode |
| E5 | CH2 & 4 in Freeze mode | | |
| E4 | CH1, 2 & 4 in Freeze mode | Attach to above code | |
| E3 | CH3 & 4 in Freeze mode | XX-DF | Buzzer/VCR ON |
| E2 | CH1, 3, & 4 in Freeze mode | XX-7F | Security lock ON |
| E1 | CH2, 3, & 4 in Freeze mode | XX-3F | Buzzer & Security lock ON (Stop) |
| E0 | CH1, 2,3, & 4 in Freeze mode | | |

2.3 The configuration of the status code for both normal and alarm operations:

There are total 2 bytes of the status codes. Byte one, the first 8 bits, shows the current status of the operation modes that the unit is in. Byte two, the second 8 bits, shows the current status of the alarm operations of the unit.



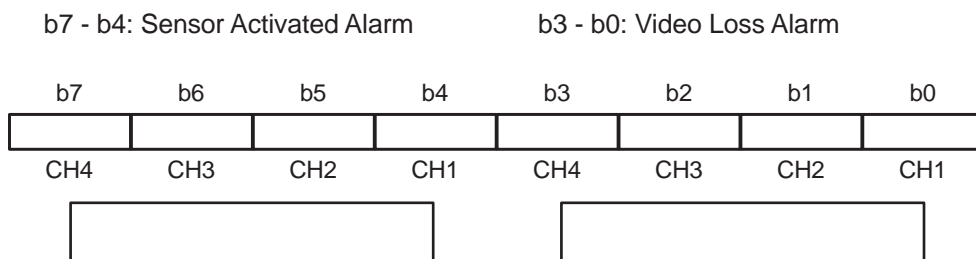
BYTE 1: Status code for normal operation modes



7.3 Remote Control Connection & Operation

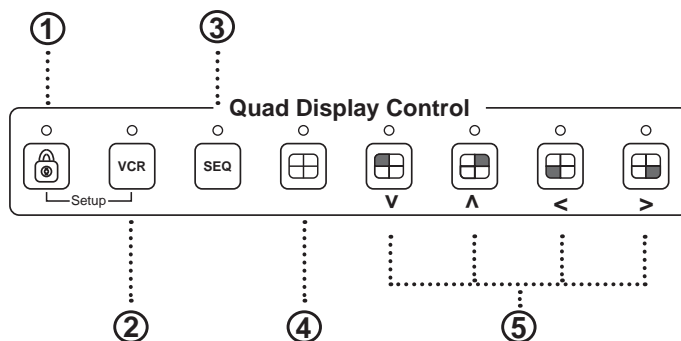
Chapter 7

BYTE 2: Status code for alarm operations: The first 4 bits show the sensor activated alarm status of each channel; next 4 bits show the video loss alarm status of each channel. The digit "1" means alarm event is detected, and "0" means no alarm event is detected.



Sensor activated Alarm
0001 = CH1 activated
0010 = CH2 activated
0100 = CH3 activated
1000 = CH4 activated

Video Loss Alarm
0001 = CH1 activated
0010 = CH2 activated
0100 = CH3 activated
1000 = CH4 activated





- ① Lock: Security locks out button. Push this button for 2 seconds to enable control panel lock out function. Push this button again for 2 seconds to disable the function.
- ② VCR: Push this button to enter into VCR Playback/Zoom operation. In this mode, the output video is displaying the video signal from VCR. When operated in Full Screen display mode, push select buttons (#5) to zoom any specific camera signal pre-recorded on the tape in quad format. Push the select button (#5) again to freeze the expanded picture on the screen.

| VCR button (#2) | Quad button (#4) | CH Select button (#5) | Function |
|-----------------|------------------|-----------------------|---|
| ON | ON | OFF | Display quad video signal from VCR tape |
| ON | OFF | Push Once | Call up specific quadrant from tape in full screen mode |
| ON | OFF | Push Twice | Freeze specific quadrant from tape in full screen mode |
| OFF | X | X | Exit VCR operation and back to normal operation mode |

#1, #2 Setup buttons: Push these two buttons simultaneously to get into Menu Setup mode and display page 1 of system setup menu. Push these two buttons simultaneously again to display page 2 of the setup menu. Use page 1 to program time/date and camera title and page 2 to configure alarm operations. Under menu setup mode, Channel Select buttons (#5) are used for cursor control and text selection to program the setup menu. Push the setup buttons simultaneously again to save the setting. Push the setup buttons fourth time to get back to ordinary operation mode.

| Setup buttons (#1, #2) | Function | CH Select buttons (#5) | |
|------------------------|---|------------------------|----------------|
| | | UP, DOWN | < , > |
| Push once | Page 1 menu for time / date / title programming | Text Selection | Cursor Control |
| Push twice | Page 2 menu for alarm configuration | Text Selection | Cursor Control |
| Push the third time | Save the settings | Yes / No | |
| Push the fourth time | Exit setup mode, back to normal | | |

- ③ Sequ.: Push this button to enable full page auto sequencing mode. Push this button again to disable it..
- ④  : Push this button to switch between Quad/ Full Screen display mode.
- ⑤  buttons: When operated in Quad mode, these buttons are used to freeze any specific camera by pushing the corresponding button. When operated in Full Screen display mode, these buttons are used to select specific camera to be displayed in full screen.

| Quad button (#4) | Channel Select buttons (#5) | Function |
|------------------|-----------------------------|---|
| ON | ON | Freeze specific camera video in Quad screen mode |
| OFF | ON | Call up specific camera video in full screen mode |

These buttons are also used as cursor control and text select keys under Setup menu mode.

Right after the unit is turned on, The monitor will display the last setting on the Setup Menu.

1. Page 1 of the Setup Menu - Display Setting

Push Setup buttons (#1, #2) simultaneously to display the Setup Menu on the screen. There are total two pages in the Setup Menu. Page 1 is used to program TIME, DATE, and camera TITLE. Page 2 is used to program Alarm Operations. Under this mode, channel selection buttons (#5) on the front panel are used for cursor control and text selection. Use the cursor control buttons "<" and ">" to move the cursor to the location as desired to program, and use the text select buttons " ^ " and " v " to choose the right alphanumeric character to program.

Page 1: Setting the TIME, DATE, TITLE, and DWELL time:

| CH | TITLE | DWELL | TIME |
|----------------------|-------|-------|------|
| | QUAD | | 03S |
| 1 | CH 1 | | 03 S |
| 2 | CH 2 | | 03 S |
| 3 | CH 3 | | 03 S |
| 4 | CH 4 | | 03 S |
| LIVE VIDEO FREEZE | | | ON |
| VIDEO OUT: | | LIVE | QUAD |
| TITLE: | | ON | ON |
| TIME: 23 : 10 : 10 | | ON | ON |
| DATE: 12 - 25 - 2003 | | ON | ON |

1.1 TITLE setup:

The Title menu permits the setup of separate titles for each video channel. 8 characters may be entered for each video channel. The available alphanumeric characters are:

0, 1, 2, 3, 4, 5, 6, 7, 8, 9, A, B, C, D,..... X, Y, Z, . , : , - , / , < , > , ^ , v , space ,

1.2 DWELL Time setup:

The Dwell time menu permits setting the dwell time for all cameras and the Quad Screen on the LIVE output channel. The menu shows a table of all cameras and associated dwell time. Dwell time can be programmed by setting a number between 00 to 99 for each channel in the menu.

- 01 through 99: Adds the camera input to the auto switching SEQUENCE, with the corresponding dwell time in seconds.
- 00: Skips the camera input in the auto switching SEQUENCE.

1.3 TIME/DATE setup:

Time and date information can be displayed on the video output channel through both LIVE and QUAD connector. Bottom of page 1 is used to set the values of time and date and also to enable or disable the display at each output channel.

The date and time will display in the "MM-DD-YYYY HH:MM:SS" format for NTSC model and "DD-MM-YYYY HH:MM:SS" format for PAL model.

1.4 TITLE/TIME/DATE disable and enable on LIVE and QUAD video output channel:

The Title/Time/Date display on each output channel can be enabled or disabled by setting ON or OFF in the corresponding entry.

2 Page 2 of the setup menu- Alarm Setting

Push Setup buttons (#1, #2) simultaneously and push (#1) button again to display page 2 of the setup menu on the screen. This Alarm Setting menu is used to set the desired alarm configuration like buzzer, V-loss alarm and V-loss relay.

| ALARM SETTING | | | |
|---------------|--------|------|--------|
| CH | SENSOR | TYPE | STATUS |
| 1 | OPEN | NO | ON |
| 2 | OPEN | NO | ON |
| 3 | OPEN | NO | ON |
| 4 | OPEN | NO | ON |
| SENSITIVITY: | | | 0.3 S |
| DURATION: | | | 30 S |
| BUZZER: | | | ON |
| V-LOSS ALARM: | | | ON |
| V-LOSS RELAY: | | | OFF |

2.1 Sensitivity:

The features are not applicable in these model.

2.2 Alarm Hold Duration:

The features are not applicable in these model.

2.3 Buzzer:

The device has a build-in buzzer to signal a detected alarm through sound. User can choose to disable the buzzer by setting it to OFF.

2.4 V-Loss Alarm:

This entry is used to enable or disable the video loss alarm. The device automatically detects loss of video at any input if this entry is set to ON. User can choose to disable this feature by setting it to OFF for applications like video conferencing or others that will need constant video source switching.

2.5 V-Loss Relay Control:

The device is equipped with an alarm controlled relay, which can be activated by both sensor triggered alarm and video loss alarm. This entry allows user to disable the relay activation from a loss of video in any camera input.

3 Save the settings and exit Setup Menu mode

Push (#1) button again will allow you to save the settings and go back to the normal operation mode and show a quad display on the screen.

4: The setup menu can be reset to factory setting by pushing the Setup buttons (#1, #2) and power on the quad simultaneously. The factory setting is as follows:

| CH | TITLE | DWELL | TIME | ALARM SETTING | | | |
|----|----------------------|-------|------|---------------|---------------|------|--------|
| | QUAD | | 03S | CH | SENSOR | TYPE | STATUS |
| 1 | CH 1 | | 03 S | 1 | OPEN | NO | ON |
| 2 | CH 2 | | 03 S | 2 | OPEN | NO | ON |
| 3 | CH 3 | | 03 S | 3 | OPEN | NO | ON |
| 4 | CH 4 | | 03 S | 4 | OPEN | NO | ON |
| | LIVE VIDEO FREEZE | | ON | | SENSITIVITY: | | 0.3 S |
| | VIDEO OUT: | LIVE | QUAD | | DURATION: | | 30 S |
| | TITLE: | ON | ON | | BUZZER: | | ON |
| | TIME: 23 : 10 : 10 | ON | ON | | V-LOSS ALARM: | | ON |
| | DATE: 12 - 25 - 2003 | ON | ON | | V-LOSS RELAY: | | OFF |

5. The Quad Display Mode

- 5.1 Push Quad display button (#4) to switch between Quad screen and Full screen display mode. Right after you turn on the system, the unit is in the quad mode and displays cameras 1-4.
- 5.2 Use page 1 of the Setup menu to turn the Title display ON/OFF on each channel and also enable and disable the Time and Date display on LIVE and QUAD output channels.
- 5.3 Under Quad screen mode, push channel select button to freeze each camera input.

6. The Full Screen Display Mode

- 6.1 Push Quad button (#4) to OFF to enter Full screen display mode. Under this mode, you may call up any specific channel in full screen by simply pushing the corresponding channel selection button.
- 6.2 Push the Quad button (#4) to ON to return to the quad mode.

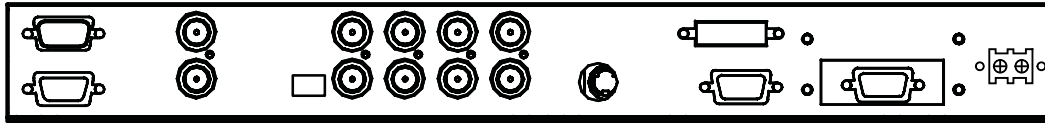
7. The Still Frame Display Mode

- 7.1 If the still screen mode is desired, first turn the quad display button (#4) to ON to set the unit to display in the quad mode. At this time you may press any of the four channel selection buttons (#5) to freeze the corresponding channel.
- 7.2 Under Zoom On VCR playback mode, if the unit is showing quad screen, pushing the channel selection buttons (#5) will call up the specific channel to display in full screen. Push the same channel selection button again to freeze that channel in full screen.

8. The Auto-Sequence Mode

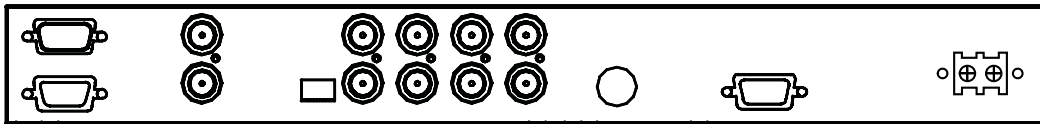
Push the Sequence button (#3) to ON to set the device to work as a sequencer. Under this mode, the display sequence first starts with a quad screen and then continues to display each camera input in full screen, and then gets back to quad screen and so on. Press the Sequence button (#3) to OFF to release this mode.

LCDR8U19-09 / 9U22-01



DC Power input

LCD1U19-017



DC Power input

| Model | 12V | 24V | 48V |
|----------------------|---------|----------|----------|
| Input rating | | | |
| Input voltage: | 12-Volt | 24-Volt | 48-Volt |
| Input range: | 9 ~ 18V | 18 ~ 36V | 36 ~ 75V |
| Input current | | | |
| - No load | 50 mA | 50 mA | 50 mA |
| - Full load | 4950 mA | 2450 mA | 1220 mA |
| Output rating | | | |
| Output voltage: | 12-Volt | 12-Volt | 12-Volt |
| Output current: | 4.16A | 4.16A | 4.16A |
| Efficiency | 84% | 85% | 85% |

Remarks

- Package does not include power cord and AC power adapter

1. How do I adjust the resolution?

To change monitor resolution, click Start -> Control Panel -> Display. Select Setting tab to adjust the monitor resolution in Desktop Area. The available resolutions, "640 x 480", "800 x 600", "1024 x 768", "1152 x 864", "1280 x 1024", are determined by the display card in your computer.

2. Is interference signal appeared on LCD normal when shutting down the computer ?


In rare cases, interference may appear on the monitor. This may be caused by signal rate of VGA card and is considered normal. The image quality can be improved by adjusting the phase or pixel rate automatically or manually.

3. The membrane power light is not ON

Press the power On / Off on LCD membrane to check if the monitor is in the ON mode.

Check the power cord is properly connected to the LCD keyboard drawer and power outlet.

4. Screen image is not centered or sized properly

Press the  button for two seconds to automatically adjust the image.

Adjust the H-position and V-position settings via On-screen menu.

The company reserves the right to modify product specifications without prior notice and assumes no responsibility for any error which may appear in this publication.

All brand names, logo and registered trademarks are properties of their respective owners.

Copyright 2008 Synergy Global Technology Inc. All rights reserved.