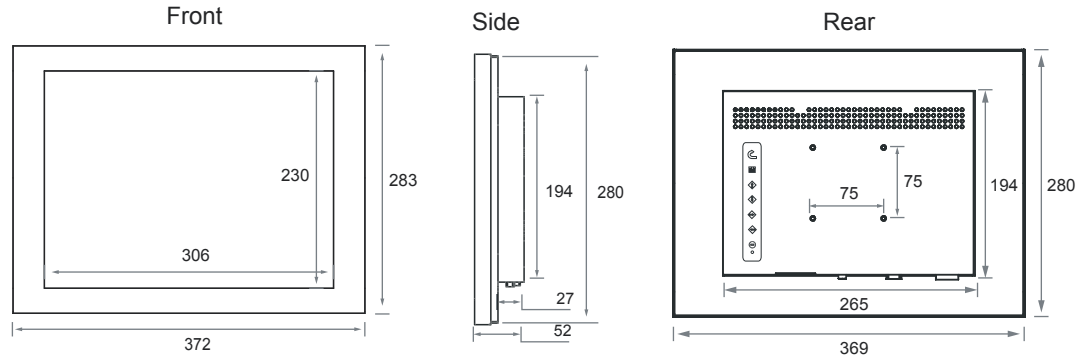


# ID-15D 15" Stylish Front Aluminum Cover LCD Panel

## Dimension Drawings (mm)



### Applications

- Industrial process control
- Point of sales / Kiosk
- Security / Surveillance
- Touchscreen display panel

### Options

- Touchscreen
- S-Video, RCA, BNC & DVI input
- DC power input ( 12 / 24 / 48 VDC )
- Audio input with speaker
- TV tuner with remote controller
- Standard remote controller for AV, VGA, DVI input

### Design features

- 1.2mm aluminum front cover
- Slim, light and sophisticated
- OSD control keys to optimize the display
- Modularized design provides extra adaptability

## Specifications

### LCD Panel

Panel Grading	Class A TFT LCD panel
Panel Size (in.)	15"
Optimum Resolution	1024 x 768
Display Color	16.2M
Brightness-nits (cd/m <sup>2</sup> )	250
Contrast Ratio	700 : 1
Pixel Pitch (mm)	0.297 x 0.297
Viewing Angle (L/R/U/D)	75 / 75 / 75 / 60
OSD Control	Brightness, Contrast, Phase & Clock, Color, H & V position, Auto-tune & Recall
Connector(s)	D-Sub 15 pin VGA analog
LCD Panel MTBF (hrs)	50,000
Power	100~240VAC via AC adapter
Mounting	VESA-mount, Optional OEM mounting design
Dimensions (mm)	372 x 52 x 283 (W x D x H)

### Operating Temperature

0° to 50° C

### Storage Temperature

-5° to 60° C

### Humidity

5~90%, non-condensing

### Shock

10G peak acceleration  
(11ms duration)

### Vibration

5-500Hz, 1G RMS random vibration

## Ordering information

Model no.	Description
ID-15D	15" front aluminum cover LCD panel with VGA input
ID-15DAV	15" front Al. cover LCD with VGA, S-Video+RCA input
ID-15DDVI	15" front Al. cover LCD with VGA, DVI input
ID-15DBNC	15" front Al. cover LCD with VGA, S-Video+BNC input
ID-15DDC12	15" front Al. cover LCD with VGA input, 12V DC input
ID-15DDC24	15" front Al. cover LCD with VGA input, 24V DC input
ID-15DDC48	15" front Al. cover LCD with VGA input, 48V DC input

www.rackmountmart.com  
email : sales@rackmountmart.com

SYNERGY GLOBAL TECHNOLOGY INC 1-888-865-6888