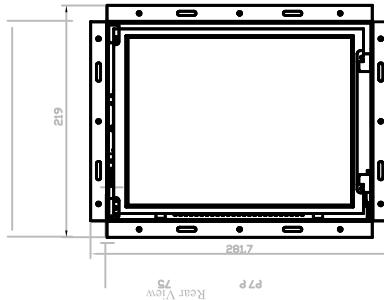


# ID-10P 10.4" Open Frame LCD Panel

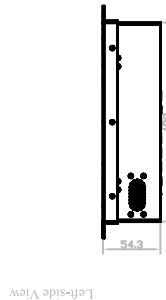
## Dimension Drawings (mm)



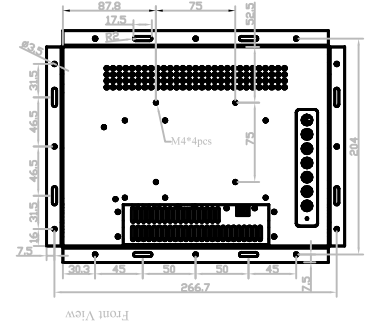
Front View



Left-Side View



Rear View



### Applications

- Industrial process control
- Point of sales / Kiosk
- Security / Surveillance
- Touchscreen display panel

### Options

- Touchscreen
- S-Video, RCA & BNC input
- DC power input ( 12 / 24 / 48 VDC )
- Audio input with speaker
- TV tuner with remote controller
- Standard remote controller for AV, VGA input

### Design features

- Industrial open frame kit
- OSD control keys to optimize the display
- Universal mounting for various applications
- Modularized design for flexible integration

## Specifications

LCD Panel	
Panel Grading	Class A TFT LCD panel
Panel Size (in.)	10.4"
Optimum Resolution	800 x 600
Display Color	262K
Brightness-nits (cd/m <sup>2</sup> )	230
Contrast Ratio	500 : 1
Pixel Pitch (mm)	0.264 x 0.264
Viewing Angle (L/R/U/D)	70 / 70 / 55 / 65
OSD Control	Brightness, Contrast, Phase & Clock, Color, H & V position, Auto-tune & Recall
Connector(s)	D-Sub 15 pin VGA analog
LCD Panel MTBF (hrs)	50,000
Power	100~240VAC via AC adapter
Mounting	VESA-mount, Open frame kit and Optional OEM mounting design
Dimensions (mm)	285 x 41 x 225 (W x D x H)

Operating Temperature	0° to 50° C
Storage Temperature	-5° to 60° C
Humidity	5~90%, non-condensing
Shock	10G peak acceleration (11ms duration)
Vibration	5-500Hz, 1G RMS random vibration

## Ordering information

Model no.	Description
ID-10P	10.4" open frame LCD panel with VGA input
ID-10PAV	10.4" open frame LCD with VGA, S-Video+RCA input
ID-10PBNC	10.4" open frame LCD with VGA, S-Video+BNC input
ID-10PDC12	10.4" open frame LCD with VGA input, 12V DC input
ID-10PDC24	10.4" open frame LCD with VGA input, 24V DC input
ID-10PDC48	10.4" open frame LCD with VGA input, 48V DC input