



**Synergy Global Technology Inc**

*[www.RackmountMart.com](http://www.RackmountMart.com)*

Toll Free: 1-888-865-6888

Tel: 510-226-8368 Fax: 510-226-8968

Email: [sales@RackmountMart.com](mailto:sales@RackmountMart.com)

# User Manual 8" LCD



**ID-08A** Front aluminum LCD panel



**ID-08AN** Front NEMA4 / IP 65 LCD panel



**ID-08D** Stylish front aluminum cover LCD panel



**ID-08P** Open frame LCD panel

- Options :**
- AV / BNC
  - Touchscreen
  - DC power
  - TV tuner
  - Audio input
  - Remote controller

# Contents

Chapter 1	<b>Getting Started</b>	
1.1	Important Safeguards.....	1
1.2	Before Installation.....	2
1.3	Unpacking.....	2
1.4	Optional Accessories.....	2
Chapter 2	<b>ID-08A Front aluminum LCD panel</b>	
2.1	Package Contents.....	3
2.2	Structure Diagram.....	4
2.3	Dimension Diagram.....	5
2.4	Mounting Method.....	6-7
Chapter 3	<b>ID-08AN Front NEMA4 / IP 65 LCD panel</b>	
3.1	Package Contents.....	8
3.2	Structure Diagram.....	9
3.3	Dimension Diagram.....	10
3.4	Mounting Method.....	11-12
Chapter 4	<b>ID-08D Stylish front aluminum cover LCD panel</b>	
4.1	Package Contents.....	13
4.2	Structure Diagram.....	14
4.3	Dimension Diagram.....	15
4.4	Mounting Method.....	16
Chapter 5	<b>ID-08P Open frame LCD panel</b>	
5.1	Package Contents.....	17
5.2	Structure Diagram.....	18
5.3	Dimension Diagram.....	19
5.4	Mounting Method.....	20

Chapter 6	<b>Connection</b> .....	21
Chapter 7	<b>Operation</b>	
	7.1 On-screen Display Operation.....	21
	7.2 On-screen Menu.....	22
Chapter 8	<b>LCD Specification</b> .....	23
Chapter 9	<b>AV, BNC Options</b>	
	9.1 S-Video + RCA Input Option.....	24
	9.2 S-Video + BNC Input Option.....	24
Chapter 10	<b>Touchscreen Options</b>	
	10.1 Touchscreen Quick User Guidelines.....	25-26
Chapter 11	<b>DC Power Options</b> .....	27
Chapter 12	<b>TV Tuner Options</b>	
	12.1 TV Tuner options.....	28
	12.2 How to Use Remote Controller.....	28
Chapter 13	<b>Audio Input Options</b> .....	29
Chapter 14	<b>Remote Controller Options</b> .....	30-31
Chapter 15	<b>Troubleshooting</b> .....	32
Chapter 16	<b>Dimensions</b> .....	33
Chapter 17	<b>Cleaning the LCD display</b> .....	33



**Please read all of these instructions carefully before you use the device. Save this manual for future reference.**

### **What the warranty does not cover**

- Any product, on which the serial number has been defaced, modified or removed.
- Damage, deterioration or malfunction resulting from:
  - Accident, misuse, neglect, fire, water, lightning, or other acts of nature, unauthorized product modification, or failure to follow instructions supplied with the product.
  - Repair or attempted repair by anyone not authorized by us.
  - Any damage of the product due to shipment.
  - Removal or installation of the product.
  - Causes external to the product, such as electric power fluctuation or failure.
  - Use of supplies or parts not meeting our specifications.
  - Normal wear and tear.
  - Any other causes which does not relate to a product defect.
- Removal, installation, and set-up service charges.

## 1.2 Before Installation

- It is very important to locate the LCD Display in a suitable environment.
- The surface for placing and fixing the LCD Display should be stable.
- Make sure the place has good ventilation, is out of direct sunlight, away from sources of excessive dust, dirt, heat, water, moisture and vibration.
- Convenience for connecting the LCD Display to the related facilities should be well considers too.

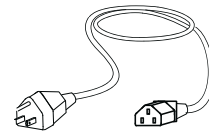
## 1.3 Unpacking

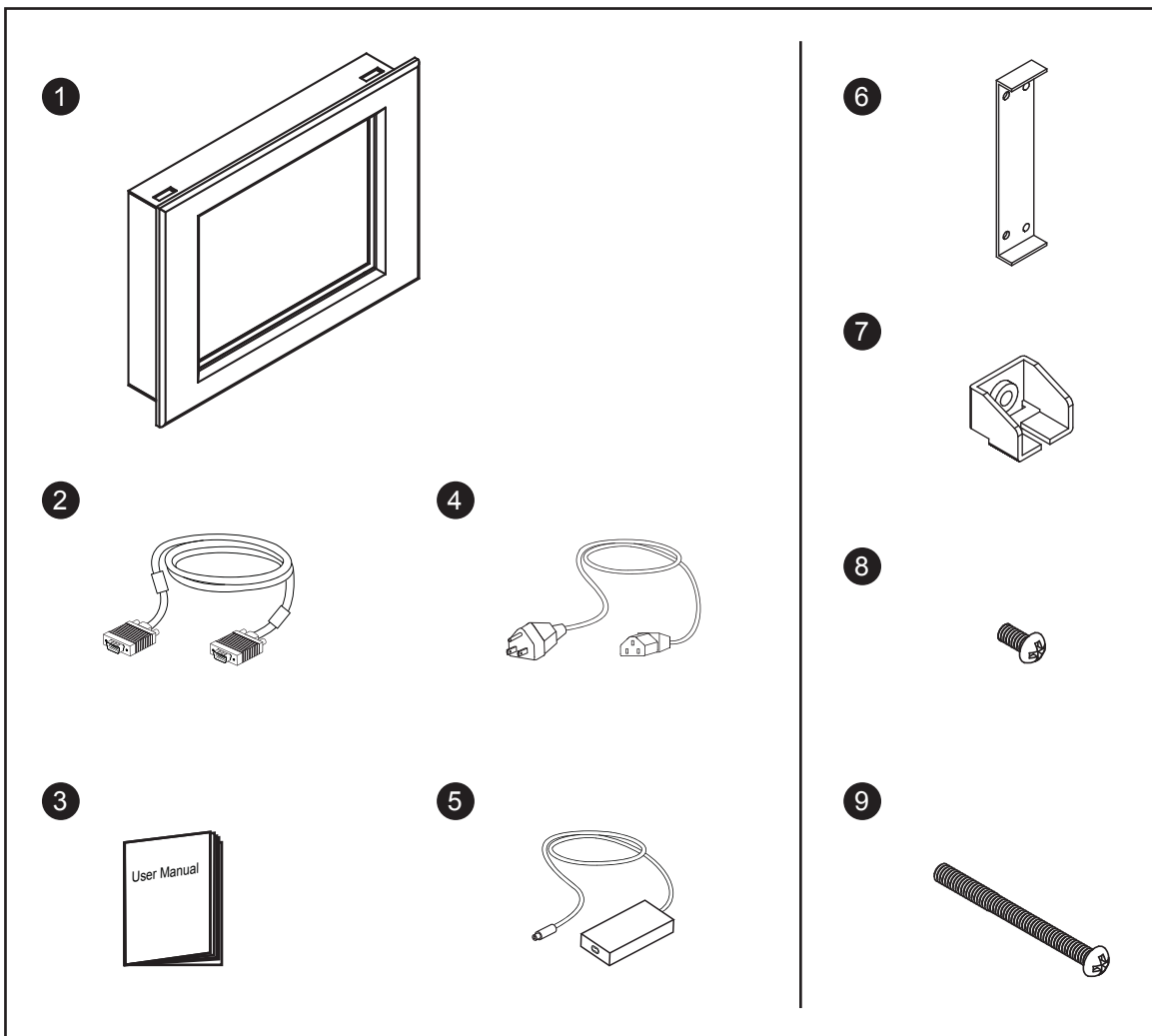
The LCD Display comes with the standard parts shown on the package contents. Check and make sure they are included and in good condition. If anything is missing, or damage, contact the supplier immediately.

## 1.4 Optional Accessories

### 1. Power Cord

- 1.1 IEC power cord
- 1.2 NEMA 5-15 power cord (US)
- 1.3 BS 1363 power cord (UK)
- 1.4 CEE 7/4 power cord (German)
- 1.5 AS 3112 power cord (Australia)

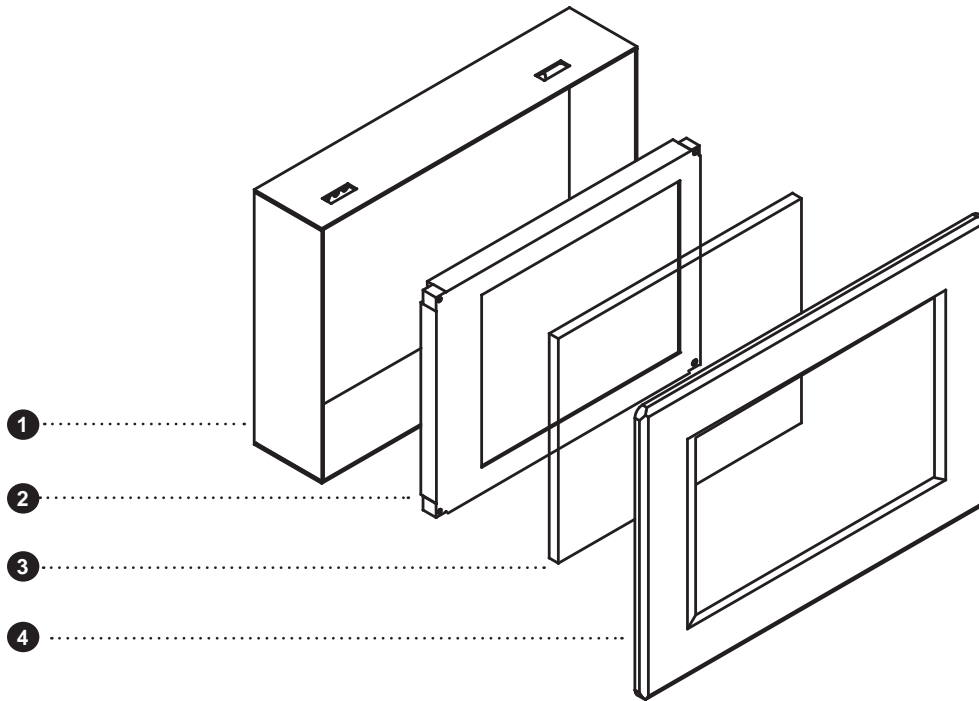




- ① LCD display x 1 pc
- ② 6' VGA cable (male to male) x 1 pc
- ③ User manual x 1 pc
- ④ Power cord x 1 pc
- ⑤ Auto switch power adapter x 1 pc
- ⑥ Mounting bracket A x 2 pcs
- ⑦ Mounting bracket B x 4 pcs
- ⑧ M4\*6mm screw x 4 pcs
- ⑨ M4\*50mm screw x 4 pcs

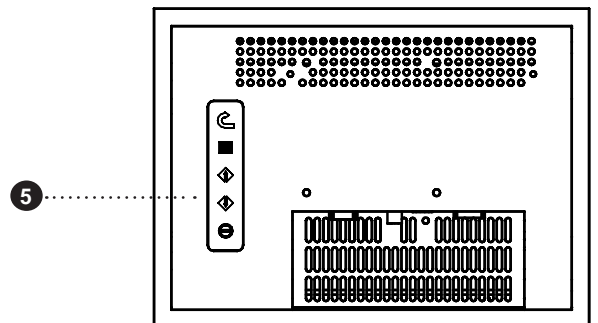
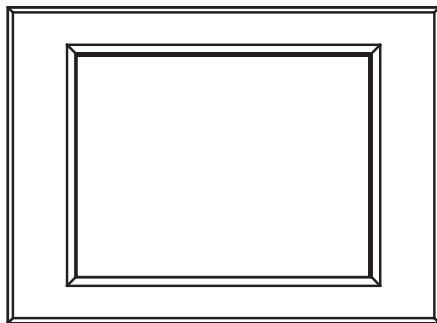
### Remarks

- ID-08A Series mounting bracket set includes item 6 - 9, please refer to p.6-7



Front View

Rear View



- ① Rear case
- ② Class A TFT LCD panel
- ③ 4mm protective glass

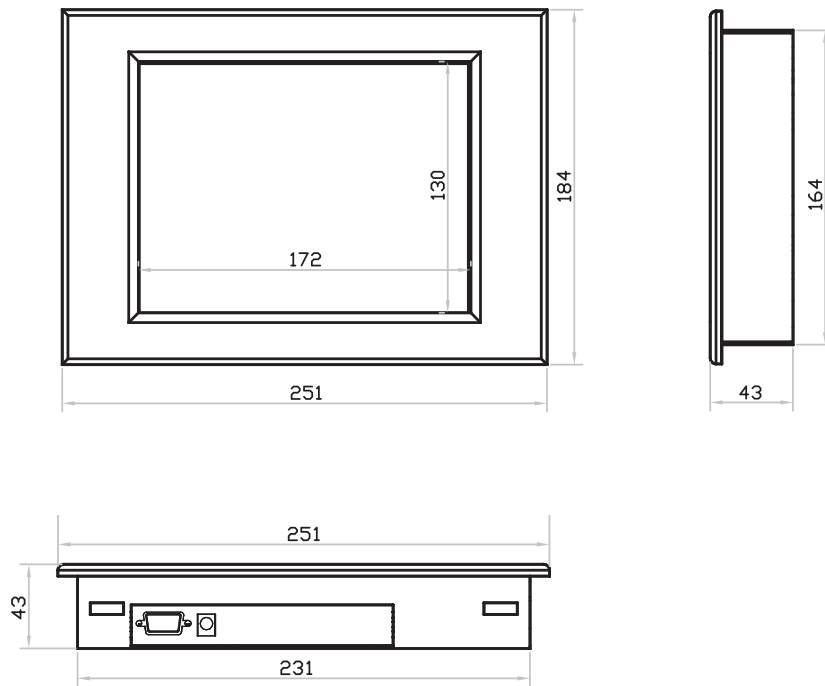
- ④ 6mm aluminum front bezel
- ⑤ LCD membrane

## 2.3 ID-08A series Dimension Diagram

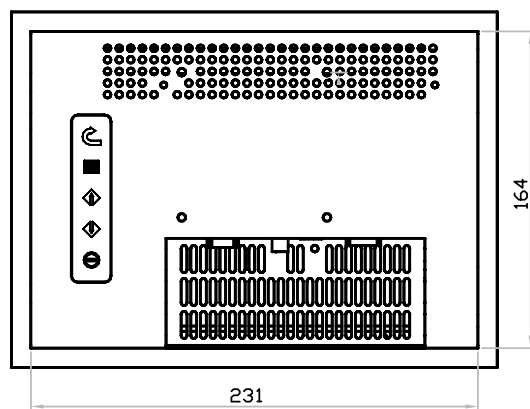
## Chapter 2

UNIT : mm  
1mm = 0.03937 inch

Front View

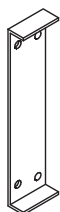


Rear View



### Mounting bracket A

1



x 2 pcs

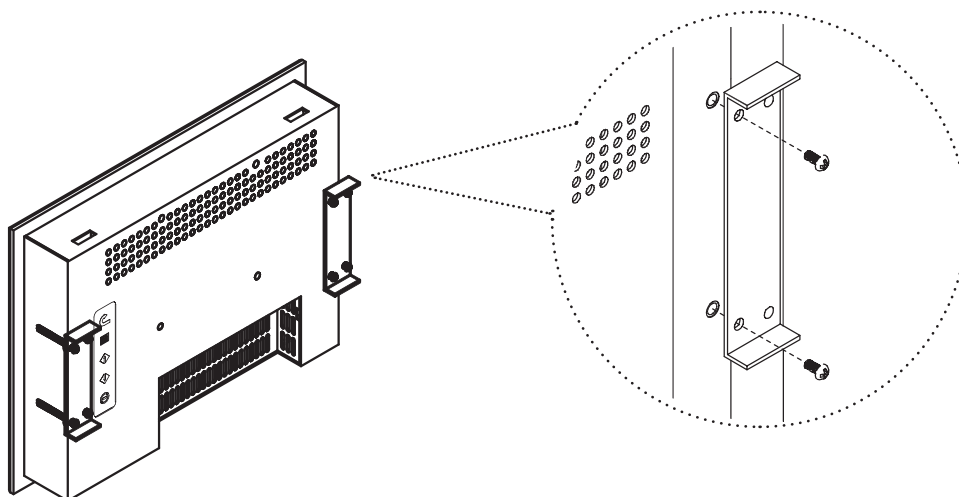
Mounting bracket A

2



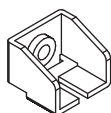
x 4 pcs

M4\*6mm screw



### Mounting bracket B

3



x 4 pcs

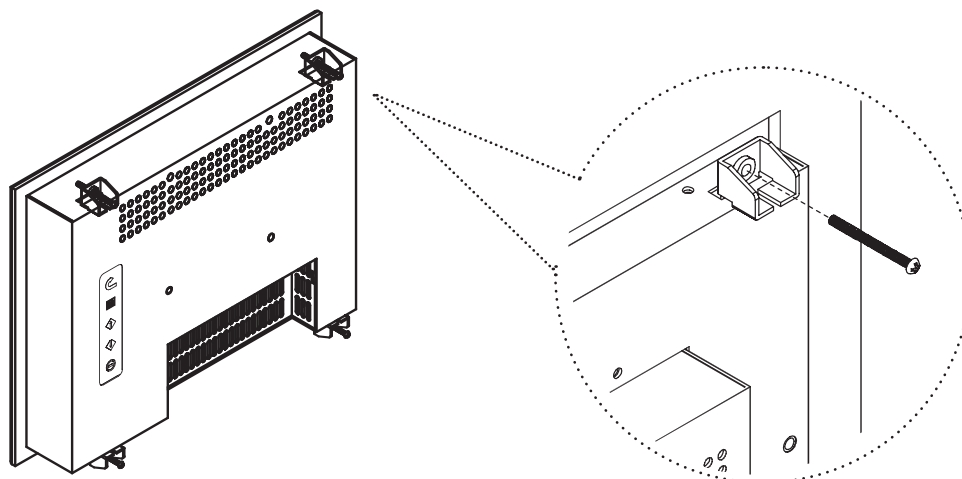
Mounting bracket B

4



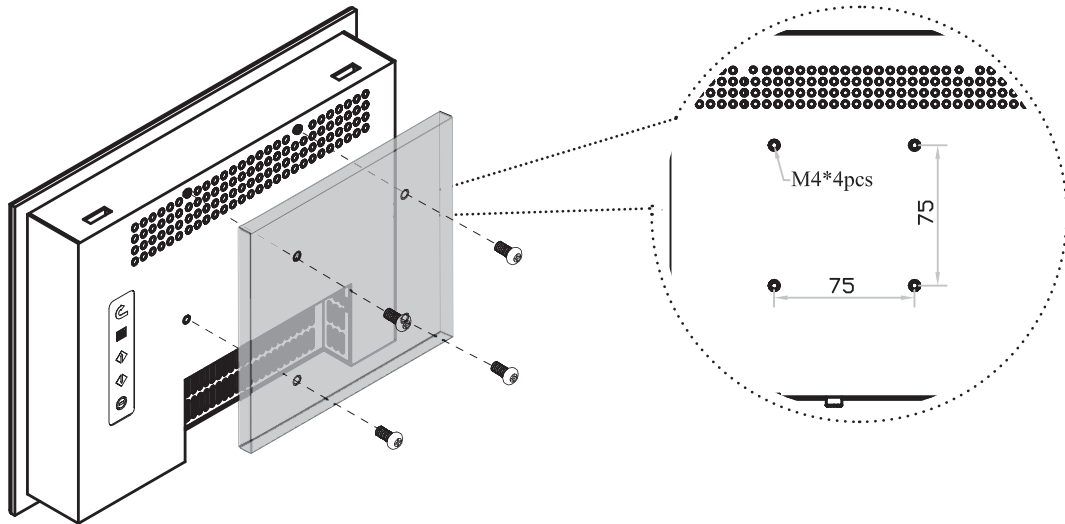
x 4 pcs

M4\*50mm screw



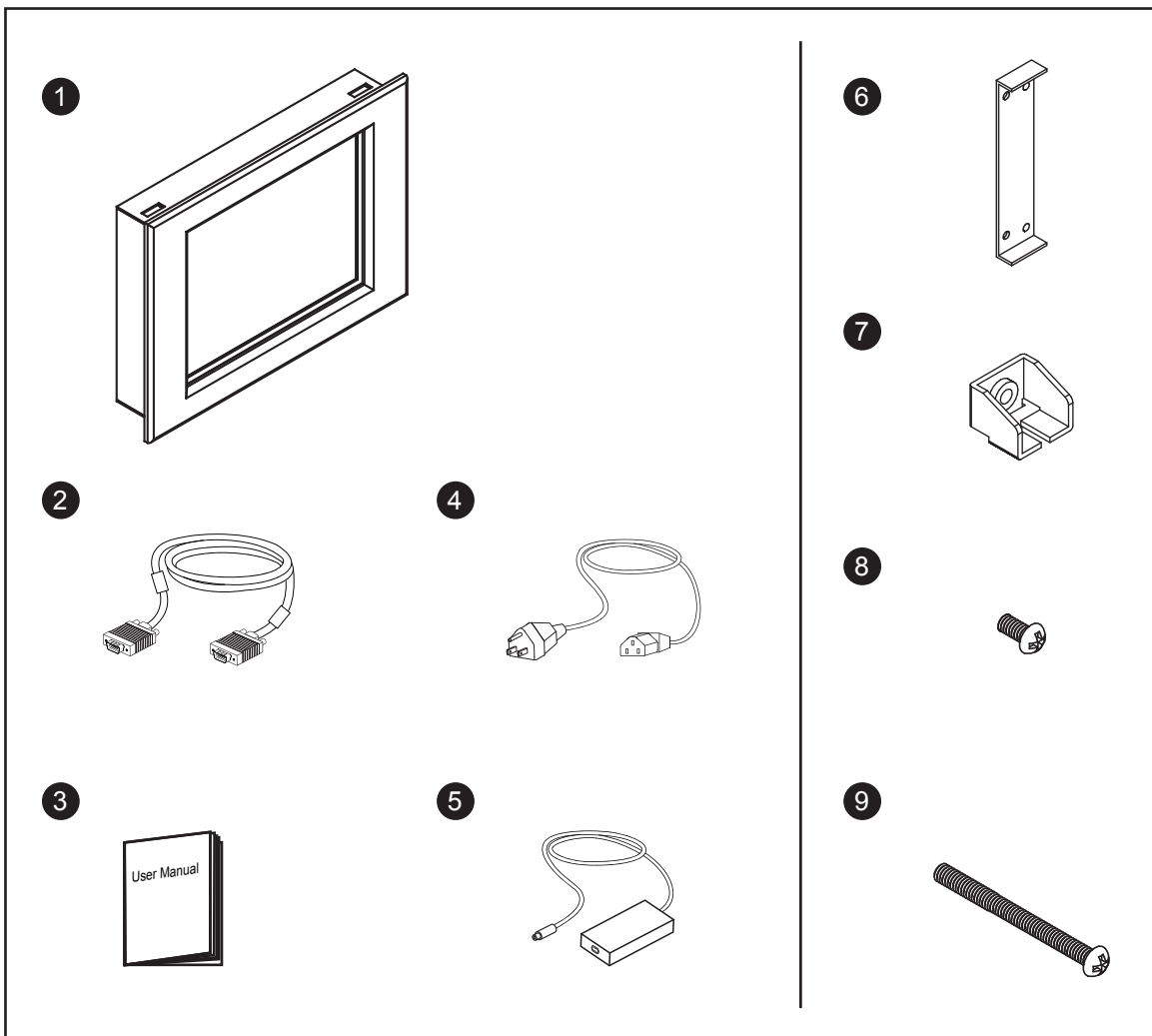
### 75mm VESA standard

UNIT : mm  
1mm = 0.03937 inch



#### Remarks

- Hardware and M4\*4pcs for VESA mounting is not provided
- To avoid damage of internal components, when mounting the VESA bracket, do not use screws that exceed the depth (6mm) of the display mounting holes. Using screws that are too long may cause damage to your display

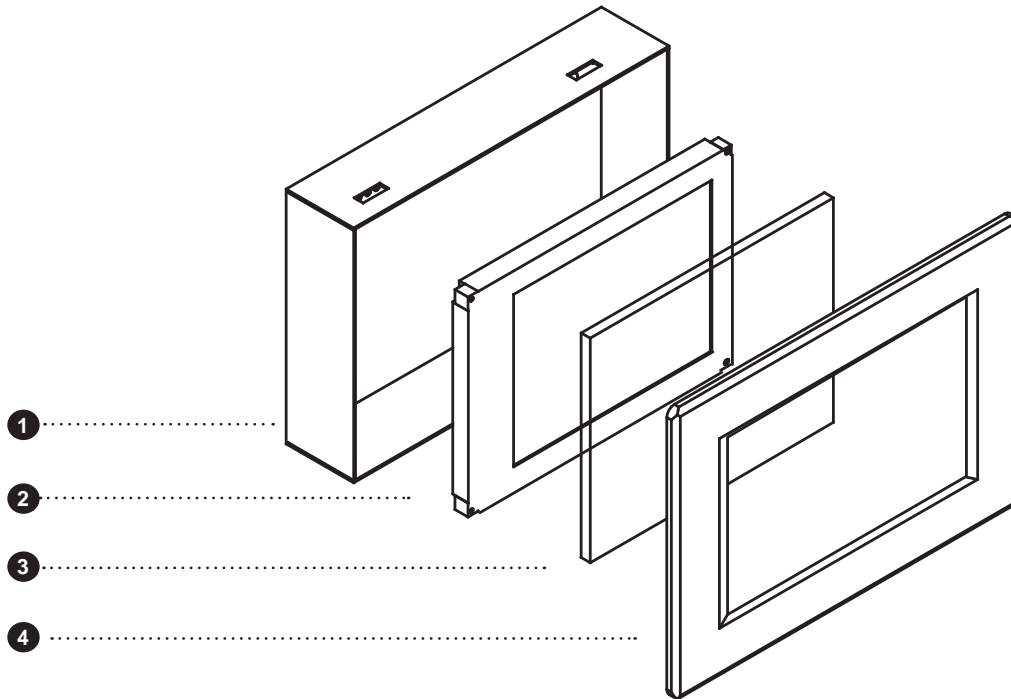


- ① LCD display x 1 pc
- ② 6' VGA cable (male to male) x 1 pc
- ③ User manual x 1 pc
- ④ Power cord x 1 pc
- ⑤ Auto switch power adapter x 1 pc
- ⑥ Mounting bracket A x 2 pcs
- ⑦ Mounting bracket B x 4 pcs
- ⑧ M4\*6mm screw x 4 pcs
- ⑨ M4\*50mm screw x 4 pcs

**Remarks**

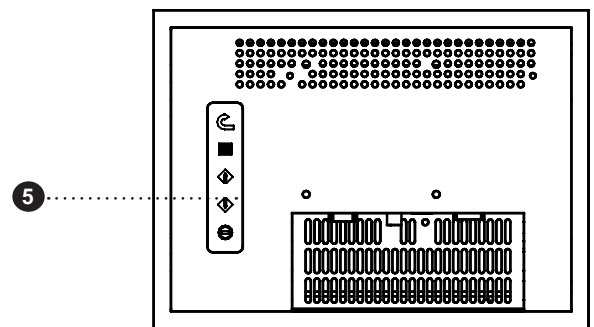
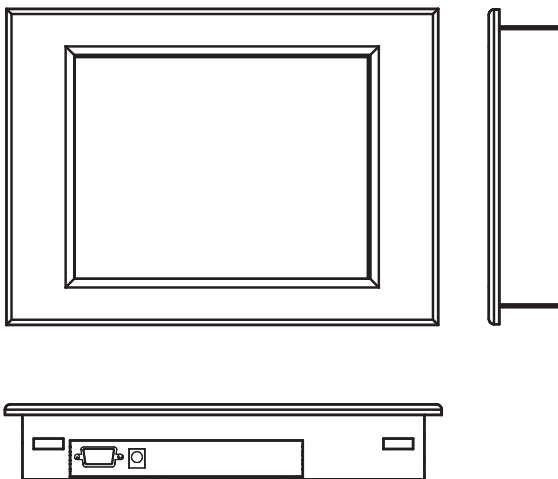
- ID-08AN Series mounting bracket set includes item 6 - 9, please refer to p.11-12





Front View

Rear View



- ① Rear case
- ② Class A TFT LCD panel
- ③ 4mm protective glass (Front NEMA 4 / IP65 protection)

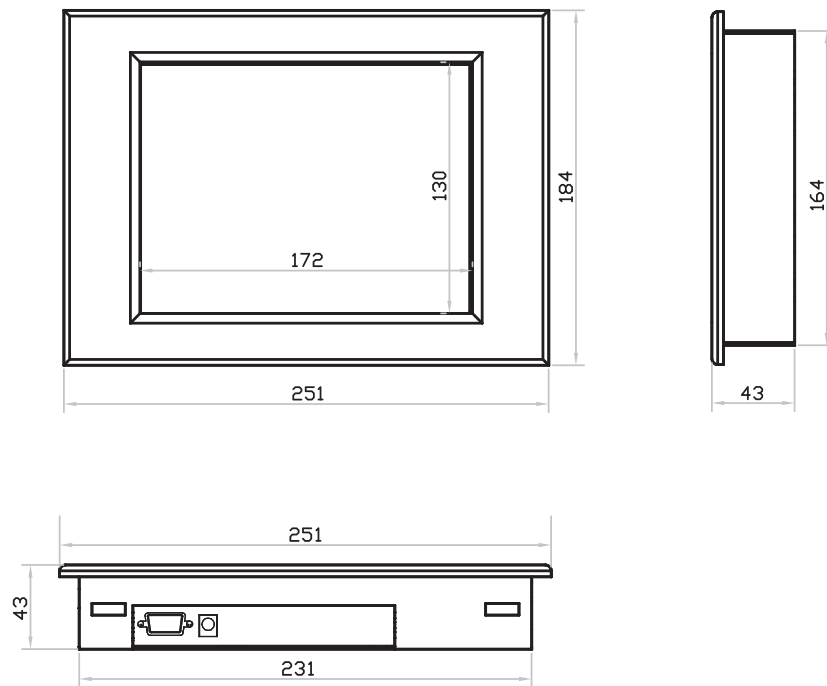
- ④ 6mm aluminum front bezel
- ⑤ LCD membrane

### 3.3 ID-08AN series Dimension Diagram

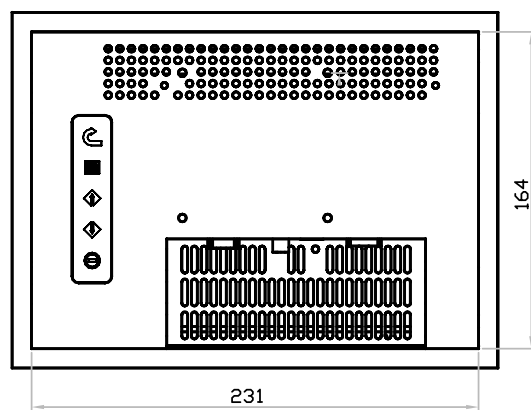
## Chapter 3

UNIT : mm  
1mm = 0.03937 inch

Front View

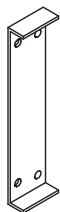


Rear View



### Mounting bracket A

1



x 2 pcs

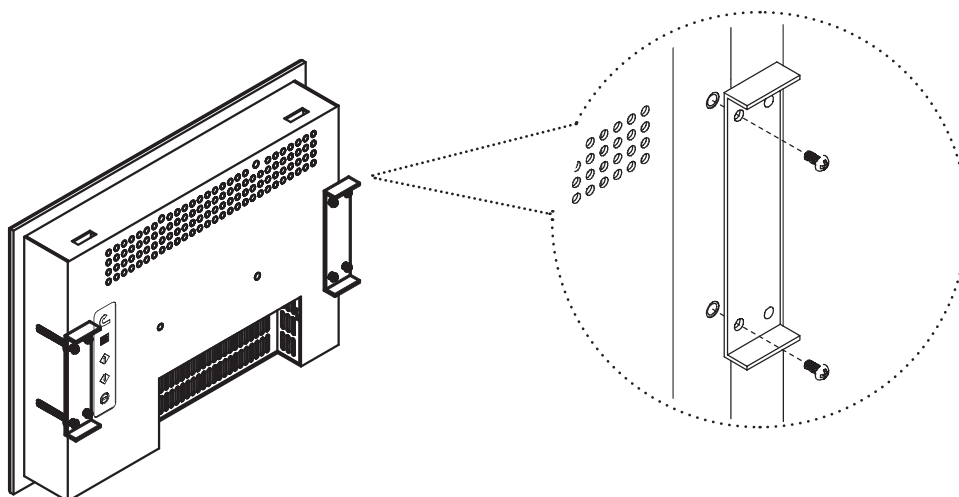
Mounting bracket A

2



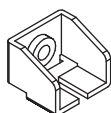
x 4 pcs

M4\*6mm screw



### Mounting bracket B

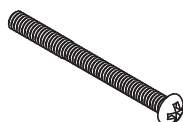
3



x 4 pcs

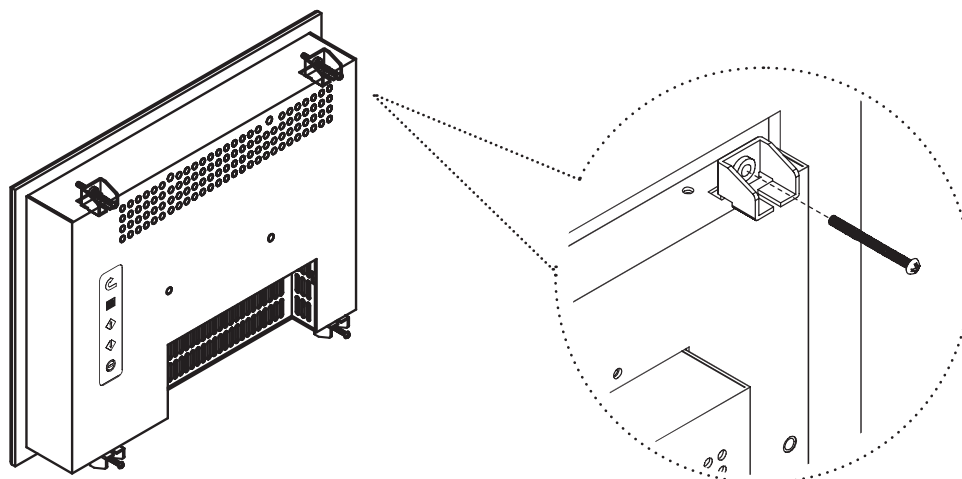
Mounting bracket B

4



x 4 pcs

M4\*50mm screw

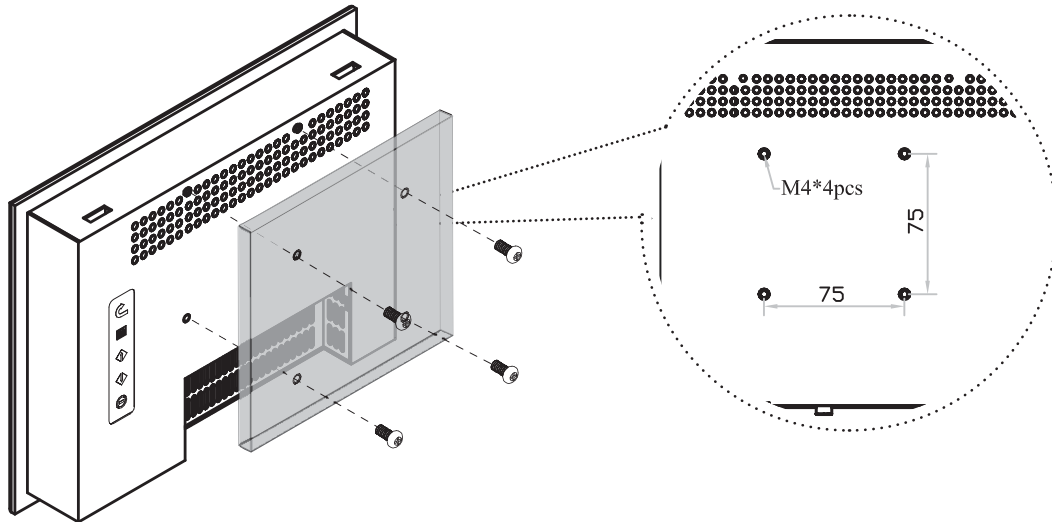


### 3.4 ID-08AN series Mounting Method

## Chapter 3

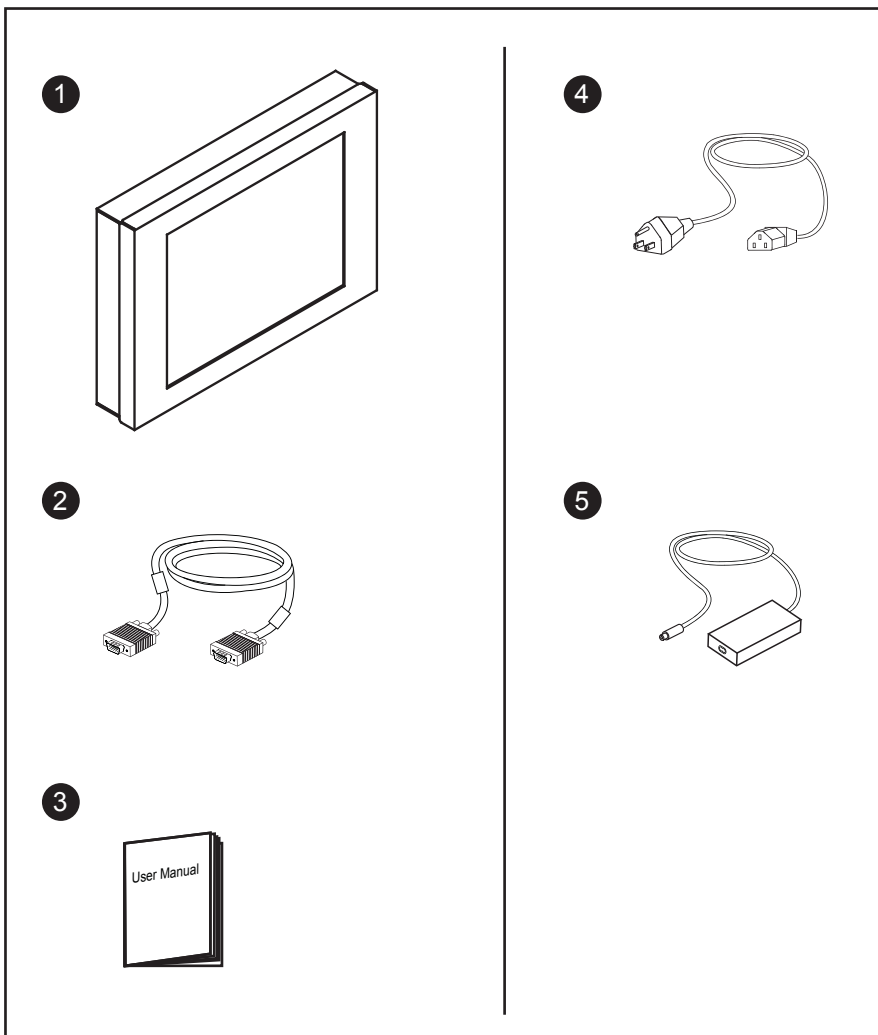
### 75mm VESA standard

UNIT : mm  
1mm = 0.03937 inch

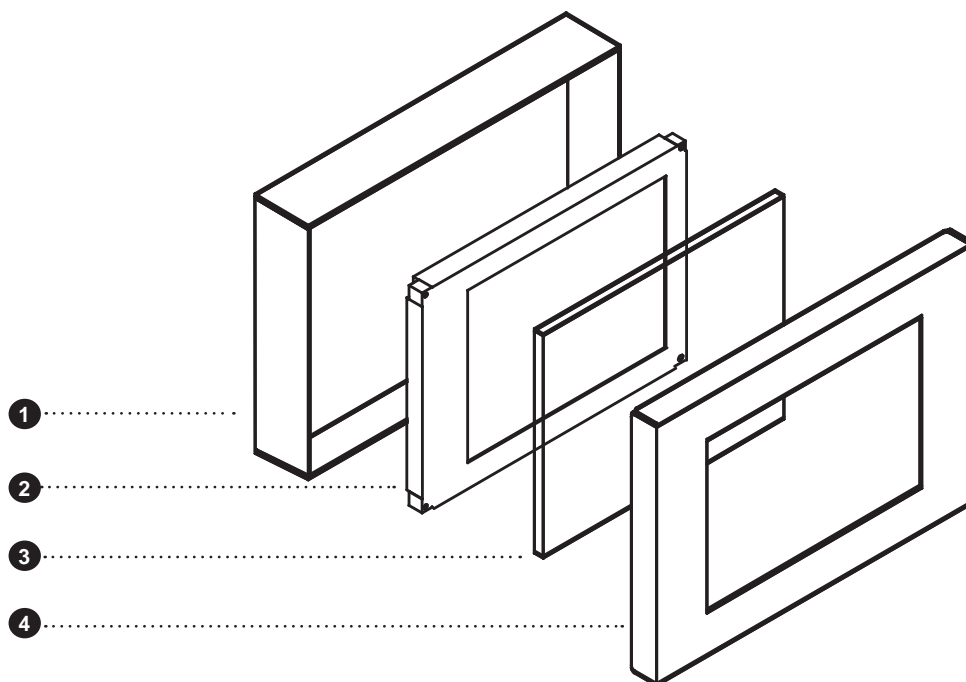


#### Remarks

- Hardware and M4\*4pcs for VESA mounting is not provided
- To avoid damage of internal components, when mounting the VESA bracket, do not use screws that exceed the depth (6mm) of the display mounting holes. Using screws that are too long may cause damage to your display

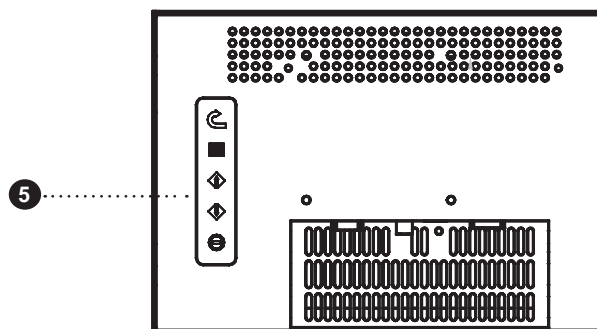
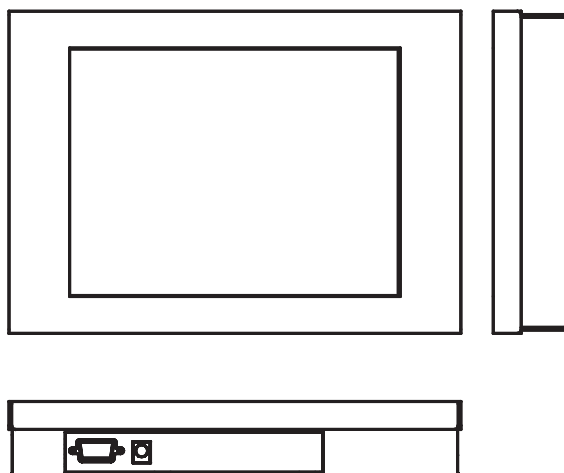


- ① LCD display x 1 pc
- ② 6' VGA cable (male to male) x 1 pc
- ③ User manual x 1 pc
- ④ Power cord x 1 pc
- ⑤ Auto switch power adapter x 1 pc



Front View

Rear View



- ① Rear case
- ② Class A TFT LCD panel
- ③ 4mm protective glass

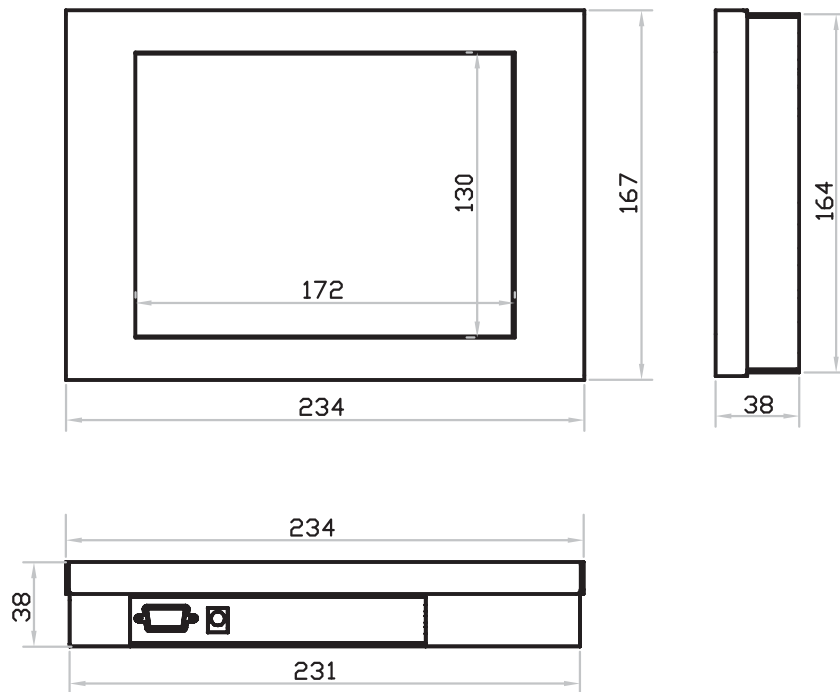
- ④ 1.2mm front aluminum cover
- ⑤ LCD membrane

### 4.3 ID-08D series Dimension Diagram

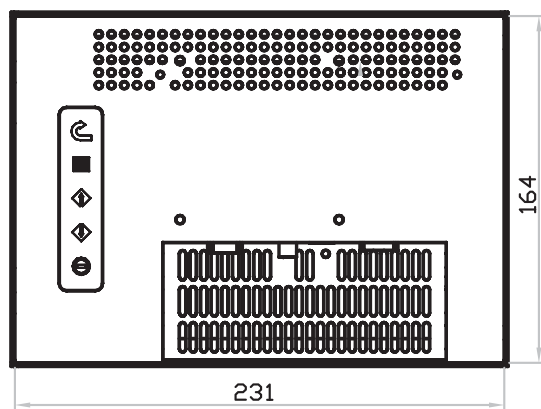
## Chapter 4

UNIT : mm  
1mm = 0.03937 inch

Front View



Rear View

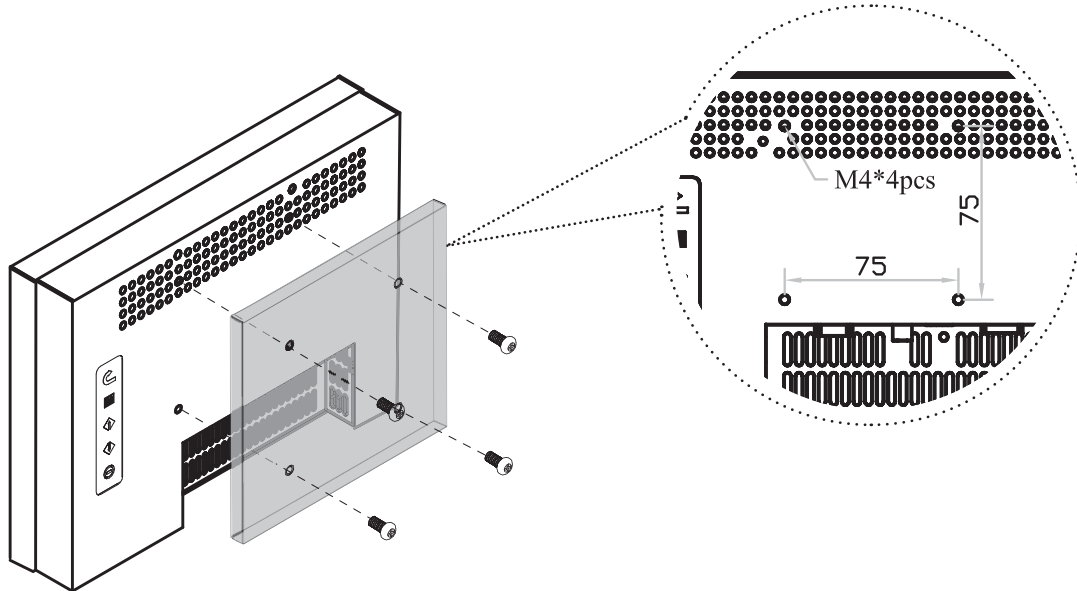


## 4.4 ID-08D series Mounting method

## Chapter 4

### 75mm VESA standard

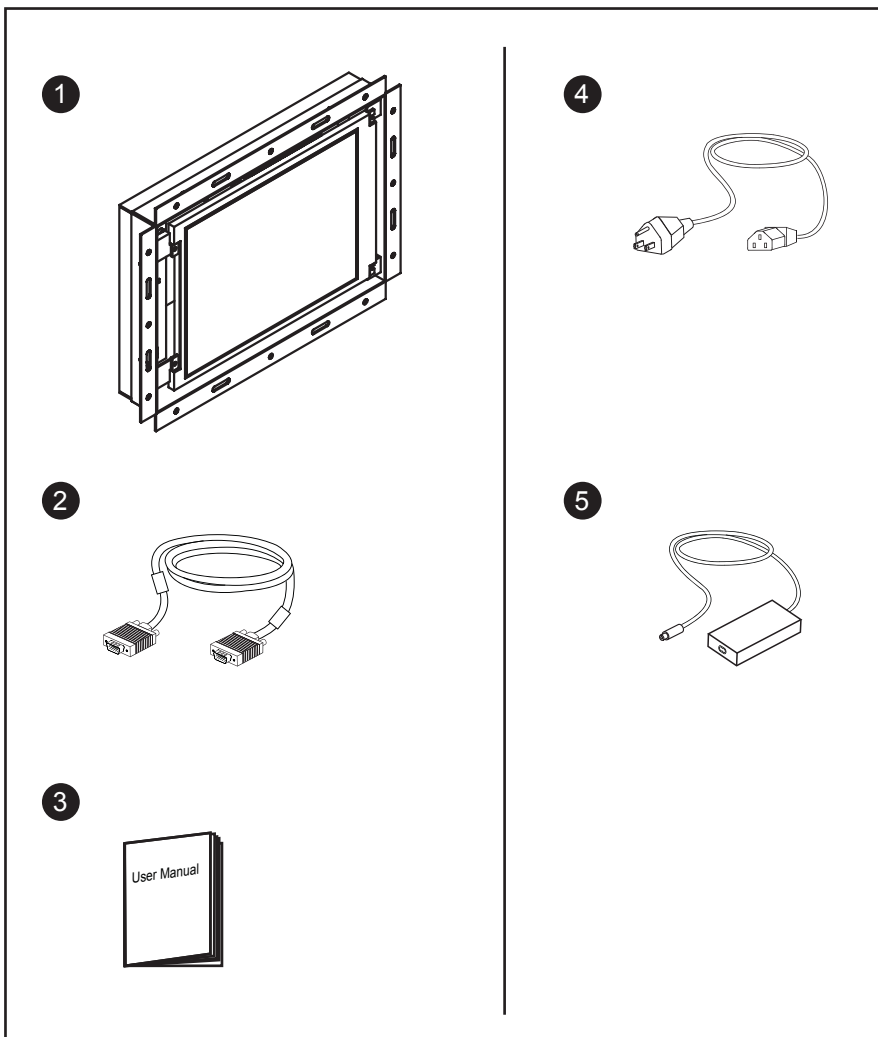
UNIT : mm  
1mm = 0.03937 inch



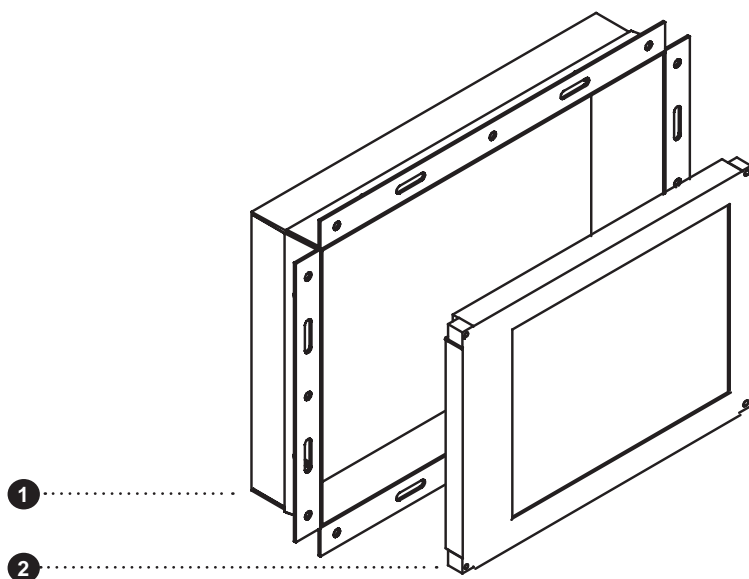
#### Remarks

- Hardware and M4\*4 pcs for VESA mounting is not provided
- To avoid damage of internal components, when mounting the VESA bracket, do not use screws that exceed the depth (6mm) of the display mounting holes. Using screws that are too long may cause damage to your display



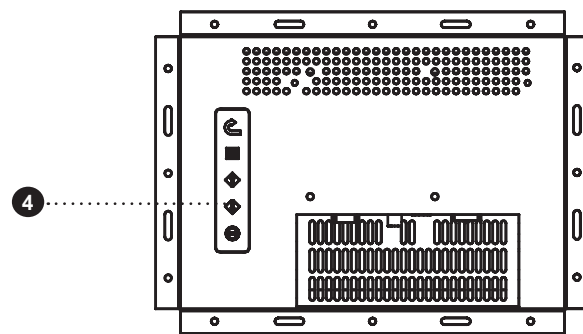
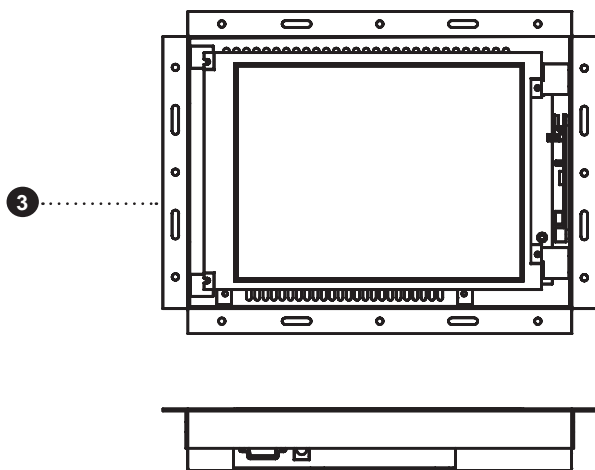


- ① LCD display x 1 pc
- ② 6' VGA cable (male to male) x 1 pc
- ③ User manual x 1 pc
- ④ Power cord x 1 pc
- ⑤ Auto switch power adapter x 1 pc



Front View

Rear View



- ① Rear case
- ② Class A TFT LCD panel

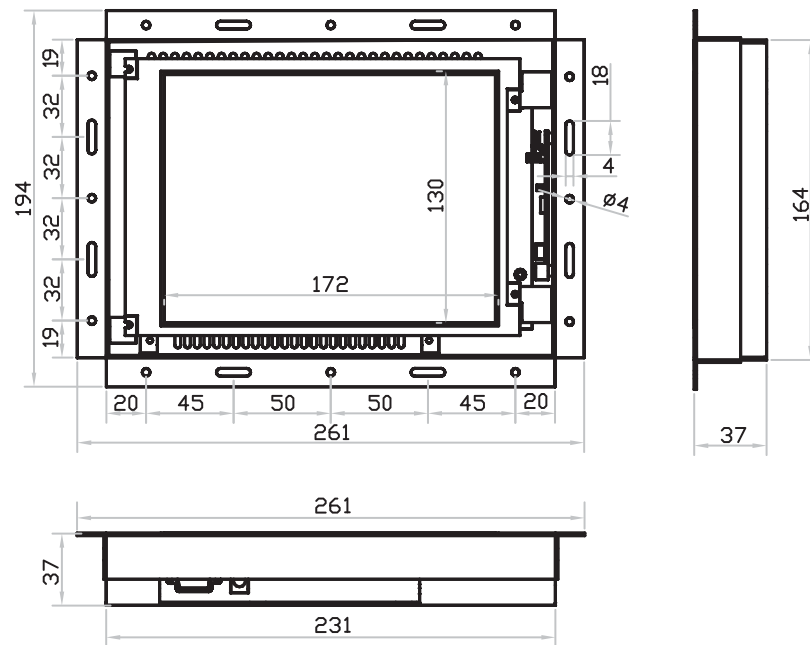
- ③ Universal open frame mounting
- ④ LCD membrane

### 5.3 ID-08P series Dimension Diagram

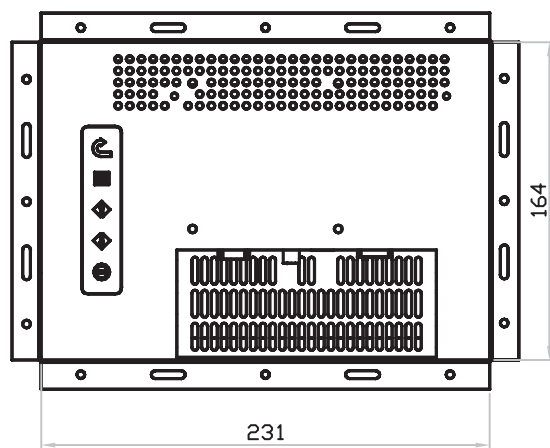
## Chapter 5

UNIT : mm  
1mm = 0.03937 inch

Front View

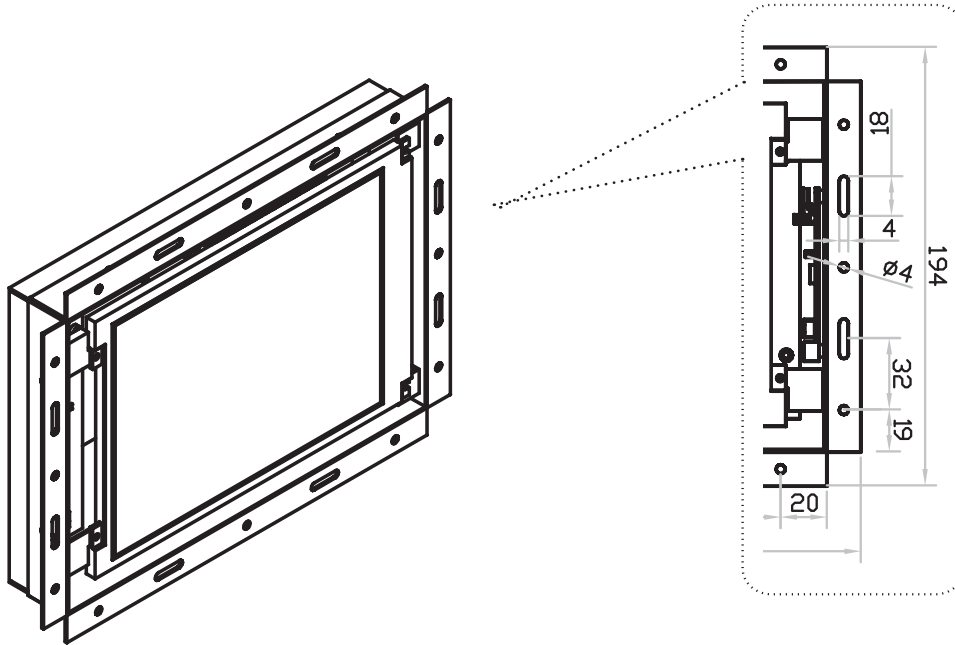


Rear View



UNIT : mm  
1mm = 0.03937 inch

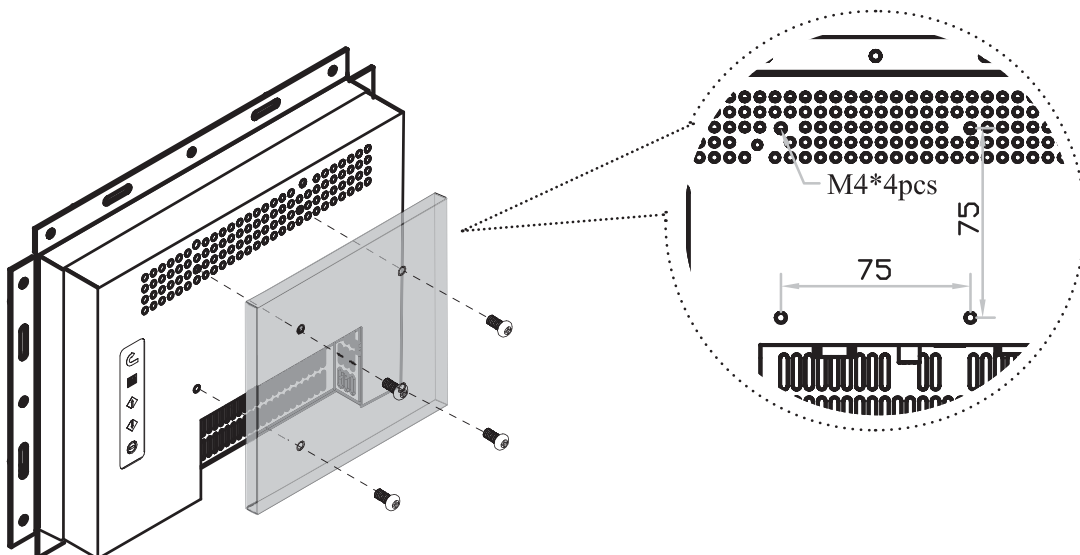
Universal open frame mounting



Remarks

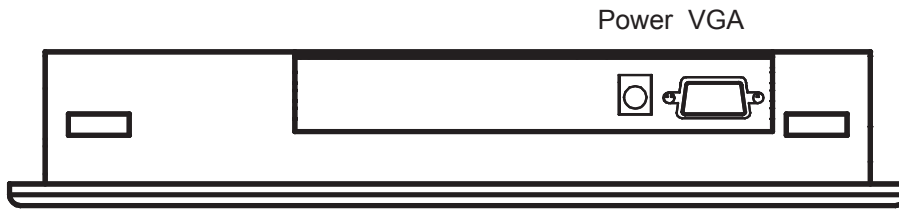
- Hardware for fixing the LCD display is not provided

75mm VESA standard



Remarks

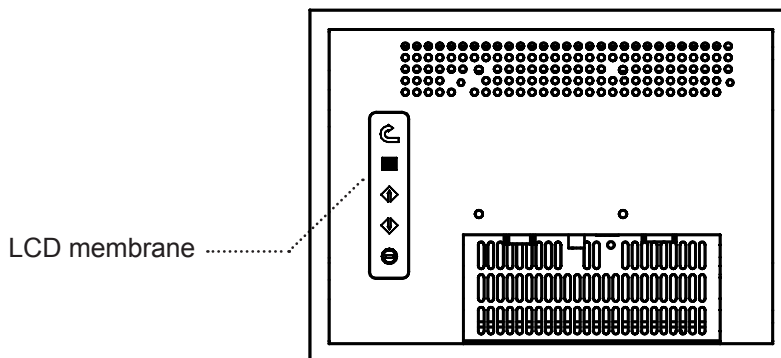
- Hardware and M4\*4 pcs for VESA mounting is not provided
- To avoid damage of internal components, when mounting the VESA bracket, do not use screws that exceed the depth (6mm) of the display mounting holes. Using screws that are too long may cause damage to your display



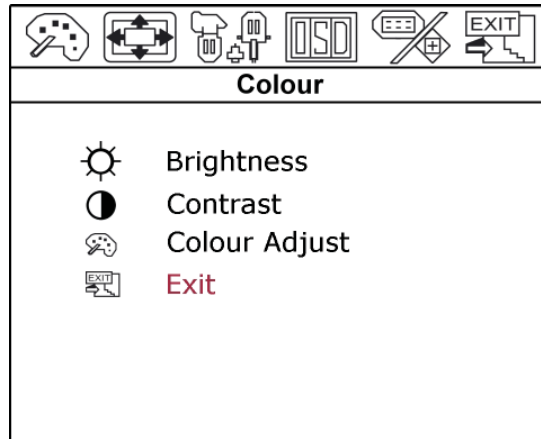
**Caution :** The LCD Display are hot-pluggable, but components of connected devices may not be hot-pluggable. Plugging and unplugging cables while connected devices are powered on may cause irreversible damage of the devices and LCD Display. Before attempting to connect anything to the LCD Display, we suggest that turn off power to all devices before connecting them. Apply power to connected devices again only after the LCD Display receiving power. The company is not responsible for damage caused in this way.

7.1 On-screen Display Operation

Chapter 7



Membrane Switch	Function
	Power on / off LCD
	Display the OSD menu
	Scrolls through menu options and adjusts the displayed control
	Exit the OSD screen Shortcut key to auto adjustment by pressed the button for 5 seconds <b>OR</b> Toggle analog, digital & video connection (video options only)



**OSD Configuration Page**

	<p><b>Color:</b> Adjust the brightness, contrast ratio, saturation value and hue value and color (The saturation and hue value are for video input only)</p>
	<p><b>Picture:</b> Adjust the display image's H &amp; V position, sharpness, phase and clock</p>
	<p><b>Function:</b> Enable or disable function of auto adjust, position, phase and clock</p>
	<p><b>OSD Menu:</b> Configure the OSD menu</p>
	<p><b>Miscellaneous:</b> Switch the display size and reset to factory default</p>
	<p><b>Exit:</b> Exit the on-screen menu</p>

Item	Description
Diagonal Size	8.4" TFT
Max. Resolution	800 x 600
Brightness (cd/m <sup>2</sup> )	220
Color Support	262K
Contrast Ratio (typ.)	500:1
Viewing Angle (H/V)	120° x 100°
Display Area (mm)	130 x 110
Tr Response Time (ms)	10
LCD Panel MTBF (hrs)	50,000
Display Input Signal	Analog RGB
Connection	DB-15 connector
Power Input	Auto-sensing 100 to 240VAC, 50 / 60Hz
Power Consumption	Max. 40 Watt, Standby 5 Watt
Compatibility	Multi-platform - Mix PCs, SUNs, IBMs, HPs & DELLs.

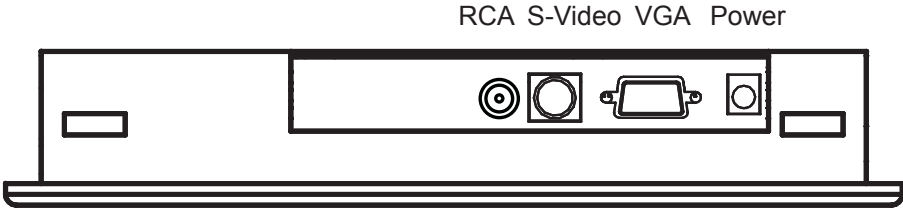
**Options**

Graphic Input	BNC, S-Video & RCA video input
DC Power	DC power input with 12V, 24V, 48V selection
Touchscreen	Resistive and capacitive

**Environmental**

Operation	0° to 50°C Degree
Storage	-5° to 60°C Degree
Relative Humidity	5~90%, non-condensing
Shock	10G acceleration (11ms duration)
Vibration	5~500Hz 1G RMS random vibration

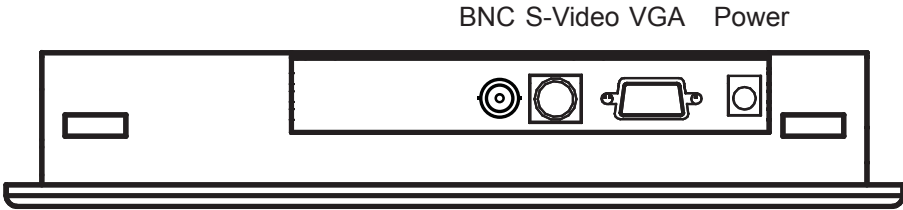
9.1 S-Video + RCA Input Option



Remarks

- Package includes an extra 6ft S-Video and 6ft RCA cables

9.2 S-Video + BNC Input Option

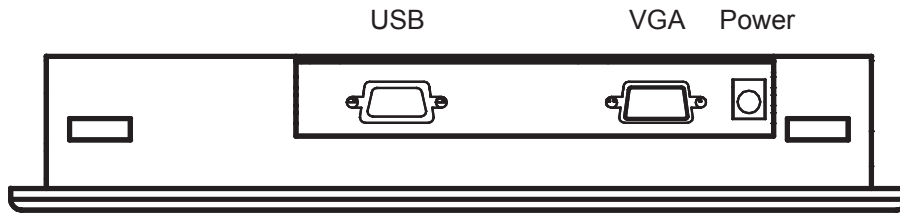


Remarks

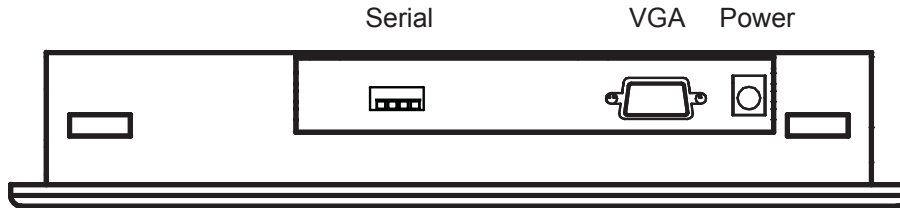
- Package includes an extra 6ft S-Video cable



**USB interface**



**Serial interface**



**e-Resistive**

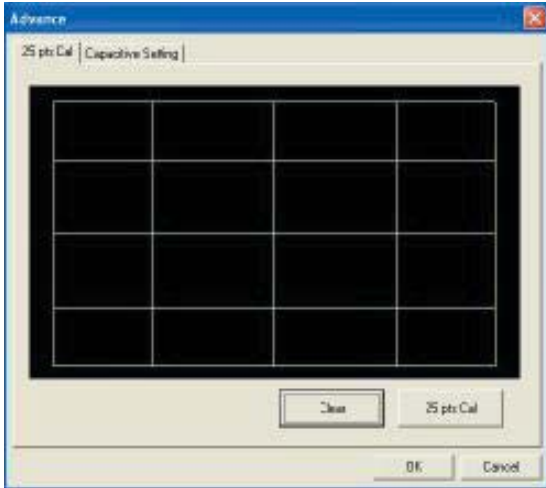
Model	-8TRB / -8TRS
Screen size	8.4"
Interface	USB / serial
Optical transmittance	82%±5%
Surface hardness	≥3H (JIS K5400)
Operating system	Windows 98 / 2000 / ME / XP / NT / CE, DOS, Linux

**Remarks**

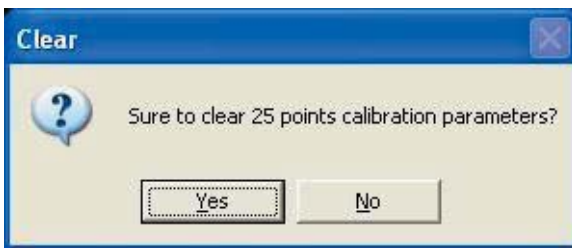
- USB touchscreen package includes an extra 6ft USB cable, quick reference guideline and CD disc
- Serial touchscreen package includes an extra 6ft serial cable, quick reference guideline and CD disc
- For detailed information, please refer to the attached CD disc
- As the touchscreen unit is not made of toughened glass, please handle it carefully.

Touchscreen Quick User Guidelines

e-Resistive touchscreen provides more accurate 25 points calibration for touch sensor.



- Press [ **Clear** ] to clear the previous calibration records.



- Press [ **Yes** ] to clear previous records. The record will bcome default record.
- Press [ **25ptCal** ] to do 25 points calibration. Correct 25 point locations on screen with the panel.

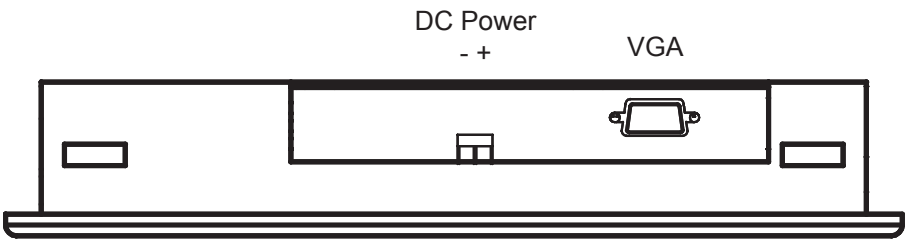


- Touch the blinking symbol on panel until beep or stop blinking.
- After the calibration, the new record will overwrite the old one.



**Caution :**

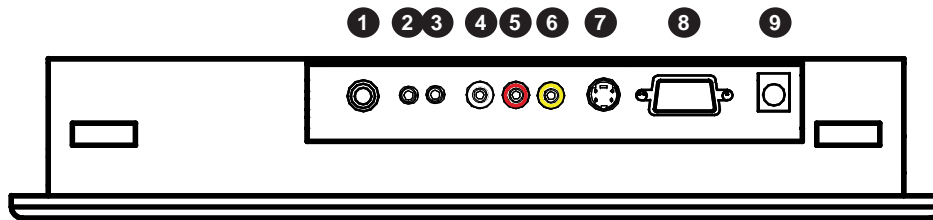
- At the first assembly of touch screen, we suggest applying 25 points calibration.
- For a more accurate calibration of touch screen, please apply 25 points calibration.



Model	12V	24V	48V
<b>Input rating</b>			
Input voltage:	12-Volt	24-Volt	48-Volt
Input range:	9 ~ 18V	18 ~ 36V	36 ~ 75V
Input current			
- No load	50 mA	50 mA	50 mA
- Full load	4950 mA	2450 mA	1220 mA
<b>Output rating</b>			
Output voltage:	12-Volt	12-Volt	12-Volt
Output current:	4.16A	4.16A	4.16A
<b>Efficiency</b>	84%	85%	85%

**Remarks**

- Package does not include power cord and AC power adapter



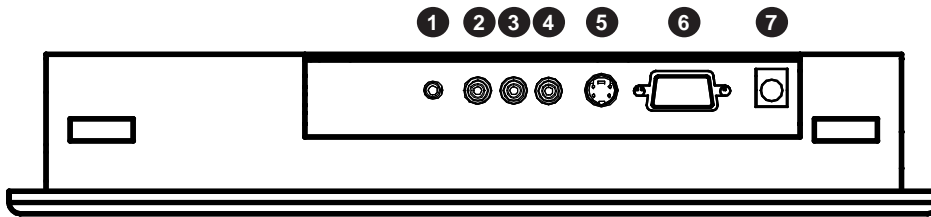
- |             |           |           |
|-------------|-----------|-----------|
| ① TV        | ④ Audio-L | ⑦ S-Video |
| ② Audio out | ⑤ Audio-R | ⑧ VGA     |
| ③ Audio in  | ⑥ Video   | ⑨ Power   |

**Remarks**

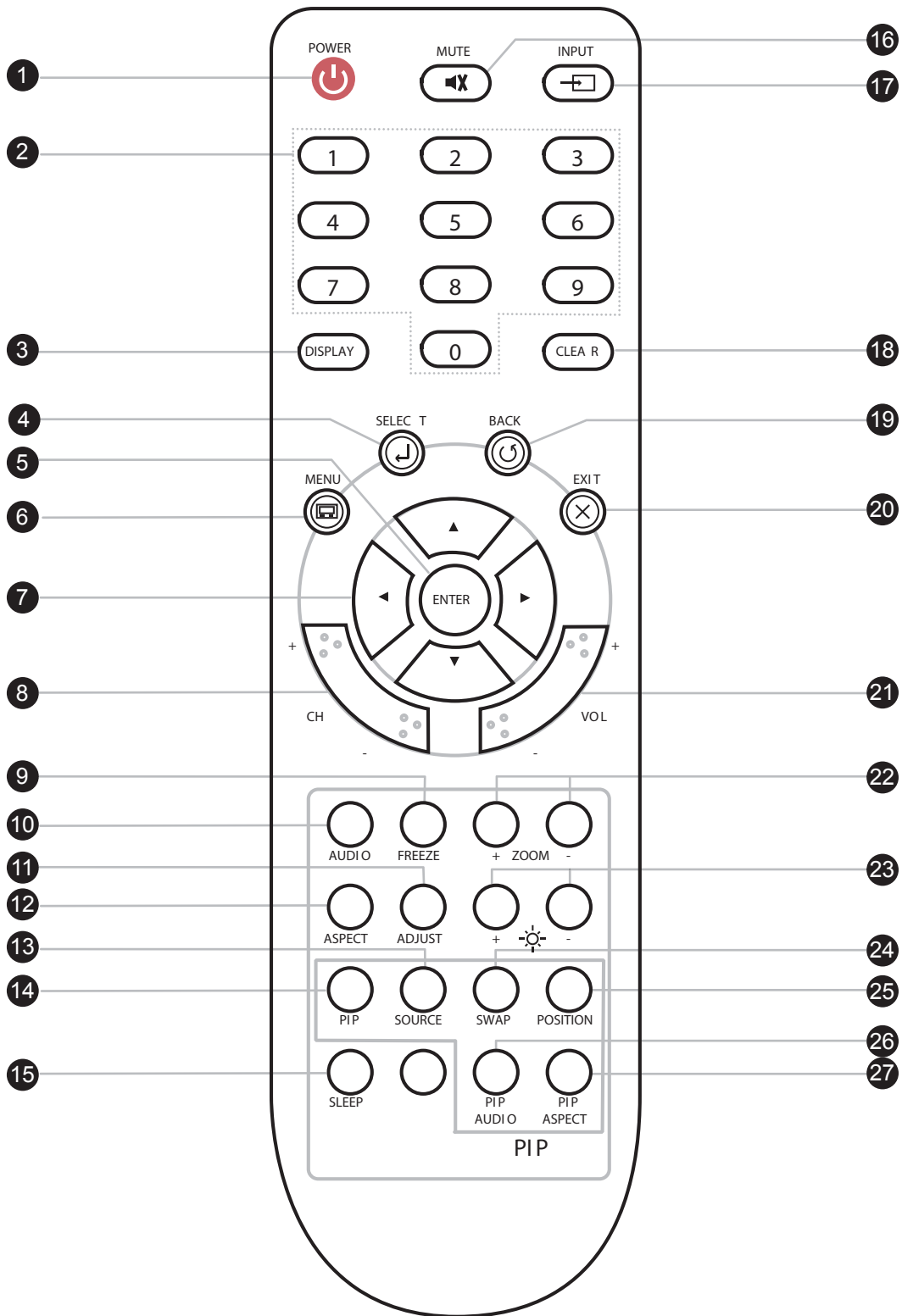
- Package includes a remote controller

**12.2 How to Use Remote Controller**

- How to use remote controller, please refer to p.30-31



- ① Audio in
- ② Audio-L
- ③ Audio-R
- ④ Video
- ⑤ S-Video
- ⑥ VGA
- ⑦ Power



①	<b>POWER</b>	Switches on or off the TV
②	<b>1 - 9</b>	Only use in TV mode. Select channels. For channel numbers 10 and above, enter the second digit within two seconds.
③	<b>DISPLAY</b>	Press this button will show the current input source
④	<b>SELECT</b>	Select the input source
⑤	<b>ENTER</b>	Enter to the select item settings or excude the setting
⑥	<b>MENU</b>	Display the menu on the screen or go to the previous menu
		Go to the upper menu or select the previous value / Go to the next menu or select the next value / Decrease the setting value /
⑦	<b>▲ / ▼ / ◀ / ▶</b>	Increase the setting value or enter to the select item setting
⑧	<b>CH +/-</b>	Increase or decrease the channel number
⑨	<b>FREEZE</b>	Freeze the main channel display picture
⑩	<b>AUDIO</b>	Select sound effect: NORMAL, POPULARITY, ROCK, JAZZ, CLASSICALLY, USER
⑪	<b>ADJUST</b>	Only used in VGA mode. Adjust the screen position
⑫	<b>ASPECT</b>	Set the main display aspect ratio mode: FULL SCREEN, PILLAR BOX
⑬	<b>SOURCE</b>	Only used in PIP mode. Select PIP input source
⑭	<b>PIP</b>	Turn on or off the PIP Channel
⑮	<b>SLEEP</b>	Select the sleeping time
⑯	<b>MUTE</b>	Turn on or off the speaker
⑰	<b>INPUT</b>	Select the Main Channel input source
⑱	<b>CLEAR</b>	Press this button will hide the current input source name on the Top-Left position
⑲	<b>BACK</b>	Return to the previous channel watched
⑳	<b>EXIT</b>	Exit the menu or cancel
㉑	<b>VOL +/-</b>	Increase or decrease the speaker volume
㉒	<b>ZOOM +/-</b>	Zoom in or out the screen
㉓	<b>☀ +/-</b>	Increase or decrease the brightness
㉔	<b>SWAP</b>	Swap the input source with Main Channel and PIP Channel
㉕	<b>POSITION</b>	Set the position of the PIP screen: BOTTOM-LEFT, BOTTOM-RIGHT, TOP-LEFT, TOP-RIGHT
㉖	<b>PIP AUDIO</b>	Alternate the main screen speaker or PIP screen speaker
㉗	<b>PIP ASPECT</b>	Set the PIP display aspect ratio mode: FULL SCREEN, PILLAR BOX

### 1. How do I adjust the resolution?

To change monitor resolution, click Start -> Control Panel -> Display. Select Setting tab to adjust the monitor resolution in Desktop Area. The available resolutions, "640 x 480", "800 x 600", "1024 x 768", "1152 x 864", "1280 x 1024", are determined by the display card in your computer.

### 2. Is interference signal appeared on LCD normal when shutting down the computer ?


In rare cases, interference may appear on the monitor. This may be caused by signal rate of VGA card and is considered normal. The image quality can be improved by adjusting the phase or pixel rate automatically or manually.

### 3. The membrane power light is not ON

Press the power On / Off on LCD membrane to check if the monitor is in the ON mode.

Check the power cord is properly connected to the LCD keyboard drawer and power outlet.

### 4. Screen image is not centered or sized properly

Press the  button for two seconds to automatically adjust the image.

Adjust the H-position and V-position settings via On-screen menu.

### 5. Must calibration be down after installation completed?

After connecting your touch monitor and installing the software, you must calibrate the touchscreen. Calibration serves two purposes:

- (A) Set the active area of the touchscreen.
- (B) Align the touchscreen's active area to the underlying video.

### 6. The touchscreen is not accurate

Calibration should be required.

Make sure to touch the centre of each X once at a time.

### 7. The touchscreen is accurate in most areas, but off a lot in certain area

The touchscreen may have linearity problems. Please use touch screen and select more points calibration.

### 8. Why can the display not match to the touchscreen correctly after calibration?

The touchscreen will be aged after a certain period of consumption or under harsh environment. It is normal.

The touchscreen driver has an utility to adjust the situation. The calibration point can be more on the touch screen.



Model	Product Dimension (W x D x H)	Net Weight
ID-08A series	251 x 43 x 184 mm 9.9 x 1.7 x 7.2"	2 kg 4.4 lb
ID-08AN series	251 x 43 x 184 mm 9.9 x 1.7 x 7.2"	2 kg 4.4 lb
ID-08D series	234 x 38 x 167 mm 9.2 x 1.5 x 6.6"	2 kg 4.4 lb
ID-08P series	261 x 37 x 194 mm 10.3 x 1.5 x 7.6"	2 kg 4.4 lb

17.1 Cleaning the LCD display

Chapter 17

You may need the following precautions before you begin to clean the LCD display, please read and understand the details below fully.

1. Make sure the monitor is turned off
2. Never spray or pour any liquid onto the screen directly
3. To remove dust and other particles, wipe the screen with a clean, soft, lint-free cloth.
4. Be cautious of all kinds of cleaning solvents or chemicals, some individuals may be harmful to the LCD display.
5. If the LCD display is still not clean enough, apply a small amount of non-ammonia, non-alcohol based glass cleaner onto a clean, soft, lint-free cloth, and wipe the screen.
6. Don't use water or oil on the monitor directly.

The company reserves the right to modify product specifications without prior notice and assumes no responsibility for any error which may appear in this publication.

All brand names, logo and registered trademarks are properties of their respective owners.

Copyright 2008 Synergy Global Technology Inc. All rights reserved.