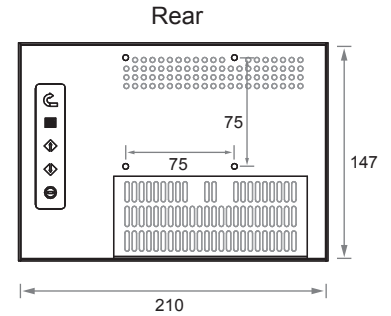
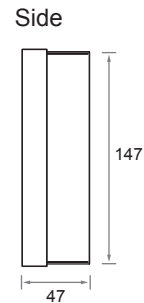
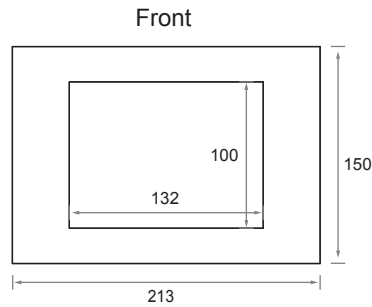


ID-06D 6.4" Stylish Front Aluminum Cover LCD Panel

Dimension Drawings (mm)



Applications

- Embedded display unit
- Industrial automation LCD panel
- Gaming, lottery & amusement display
- Touchscreen display panel

Options

- Touchscreen
- S-Video, RCA & BNC input
- DC power input (12 / 24 / 48 VDC)
- Audio input with speaker
- TV tuner with remote controller
- Standard remote controller for AV, VGA input

Design features

- 1.2mm aluminum front bezel with 45° chamfer
- OSD control keys to optimize the display
- Slim, light and sophisticated
- Modularized design saves maintenance cost

Specifications

LCD Panel	
Panel Grading	Class A TFT LCD panel
Panel Size (in.)	6.4"
Optimum Resolution	640 x 480
Display Color	262K
Brightness-nits (cd/m ²)	400
Contrast Ratio	400 : 1
Pixel Pitch (mm)	0.203 x 0.203
Viewing Angle (L/R/U/D)	60 / 60 / 40 / 55
OSD Control	Brightness, Contrast, Phase & Clock, Color, H & V position, Auto-tune & Recall
Connector(s)	D-Sub 15-pin VGA analog
LCD Panel MTBF (hrs)	50,000
Power	100 or 240VAC via AC adapter
Mounting	VESA-mount, Optional OEM mounting design
Dimensions (mm)	213 x 47 x 150 (W x D x H)

Operating Temperature	0° to 50° C
Storage Temperature	-5° to 60° C
Humidity	5~90%, non-condensing
Shock	10G peak acceleration (11ms duration)
Vibration	5-500Hz, 1G RMS random vibration

Ordering information

Model no.	Description
ID-06D	6.4" front aluminum cover LCD panel with VGA input
ID-06DAV	6.4" front Al. cover LCD with VGA, S-Video+RCA input
ID-06DBNC	6.4" front Al. cover LCD with VGA, S-Video+BNC input
ID-06DDC12	6.4" front Al. cover LCD with VGA input, 12V DC input
ID-06DDC24	6.4" front Al. cover LCD with VGA input, 24V DC input
ID-06DDC48	6.4" front Al. cover LCD with VGA input, 48V DC input