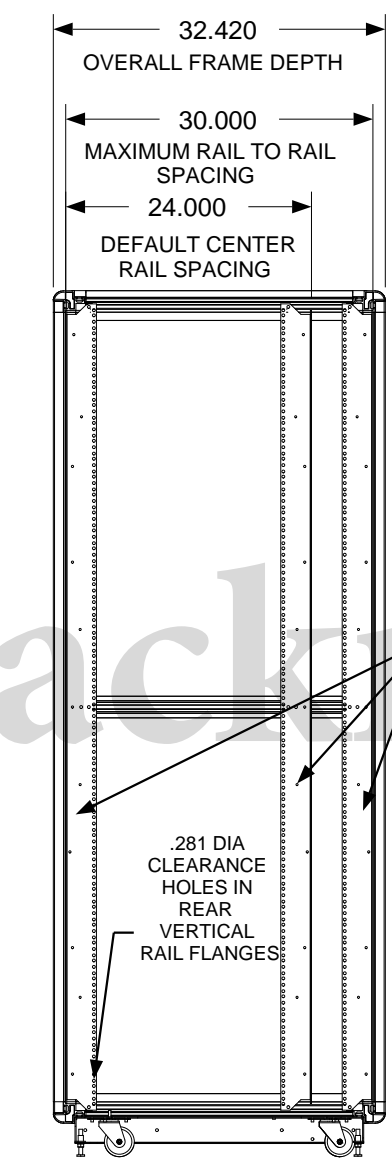
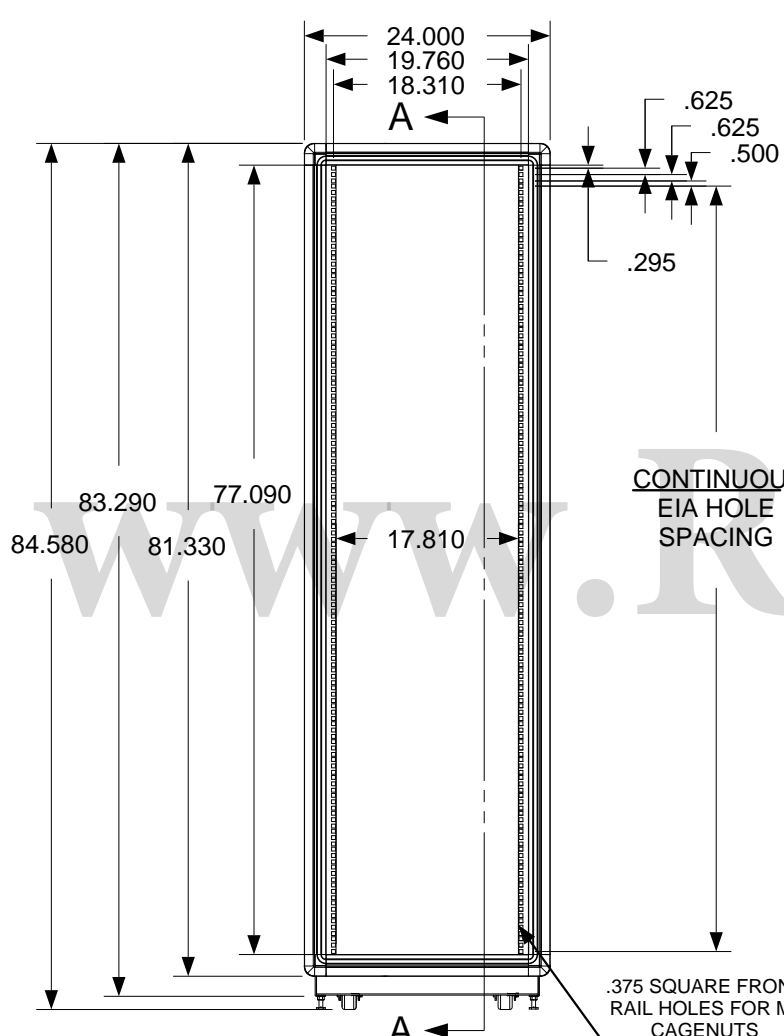
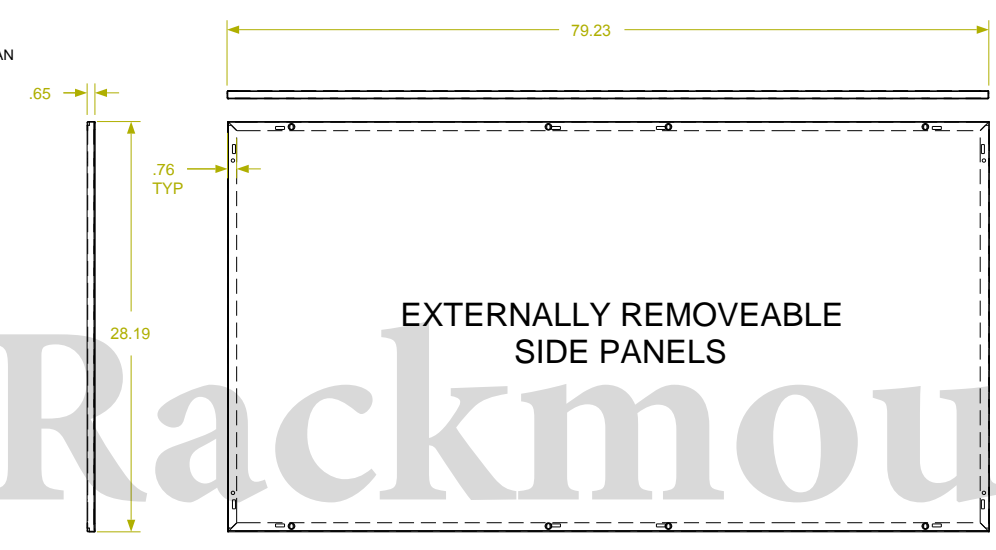
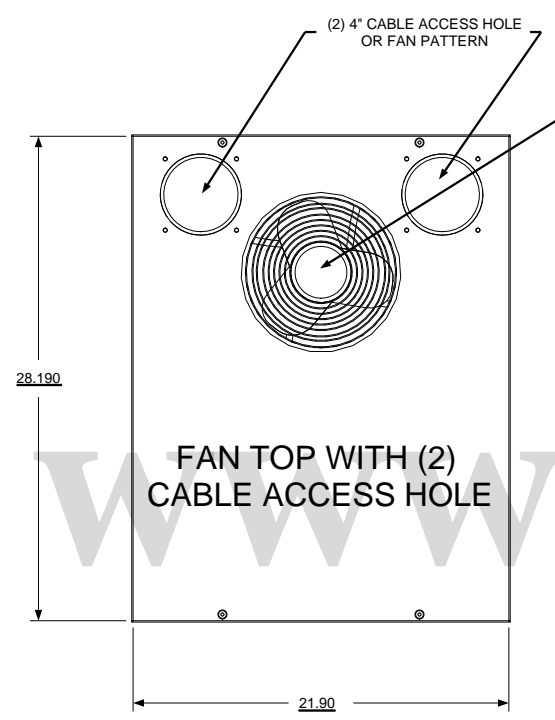


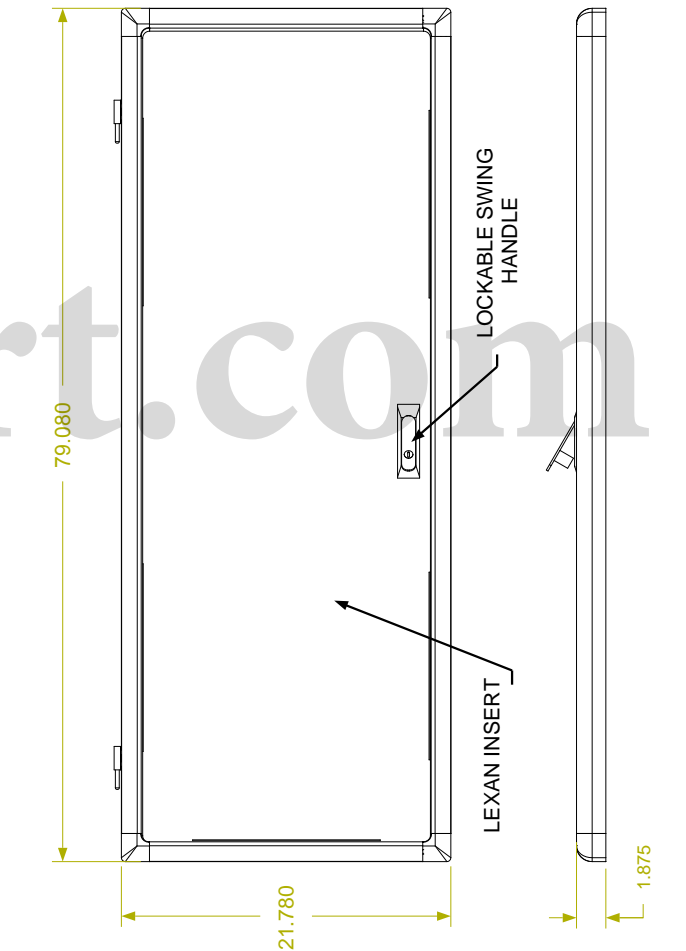
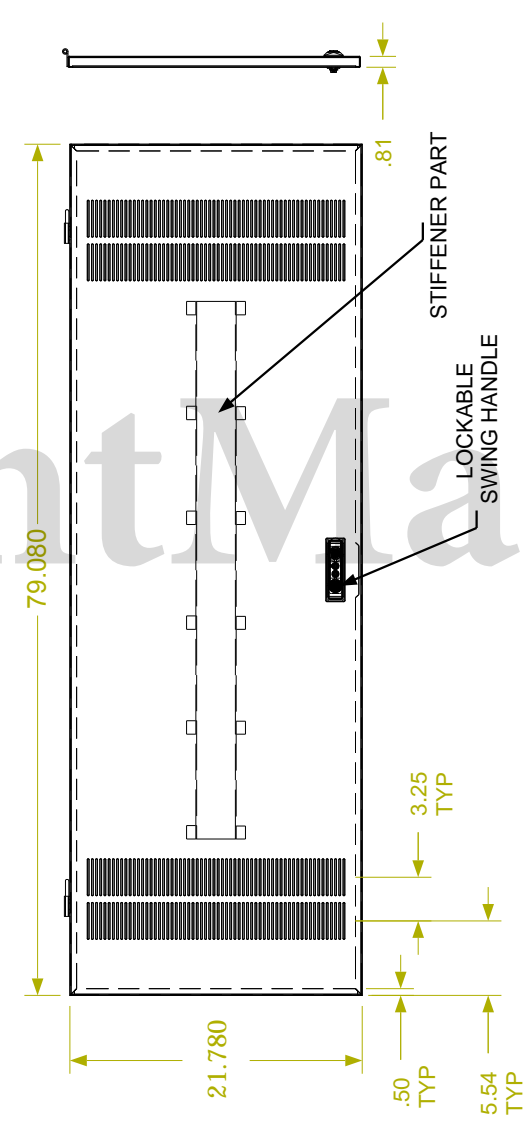
REVISION HISTORY			
REV	DESCRIPTION	DATE	APPROVED

F  
E  
D  
C  
B  
A



ALUMINUM EXTRUDED FRAME

\*\*SHOWN WITH SIDE PANEL REMOVED



**Synergy Global Technology Inc**  
www.RackmountMart.com

PART NAME  
44U X 30" DEEP; 19" RACKMOUNT  
EXTRUDED ALUMINUM FRAME CABINET

DATE 3/1/16	PART # SY772030X	REV
SHEET		1 OF 1

9 8 7 6 5 4 3 2 1

9 8 7 6 5 4 3 2 1