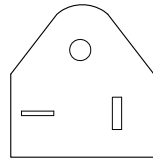
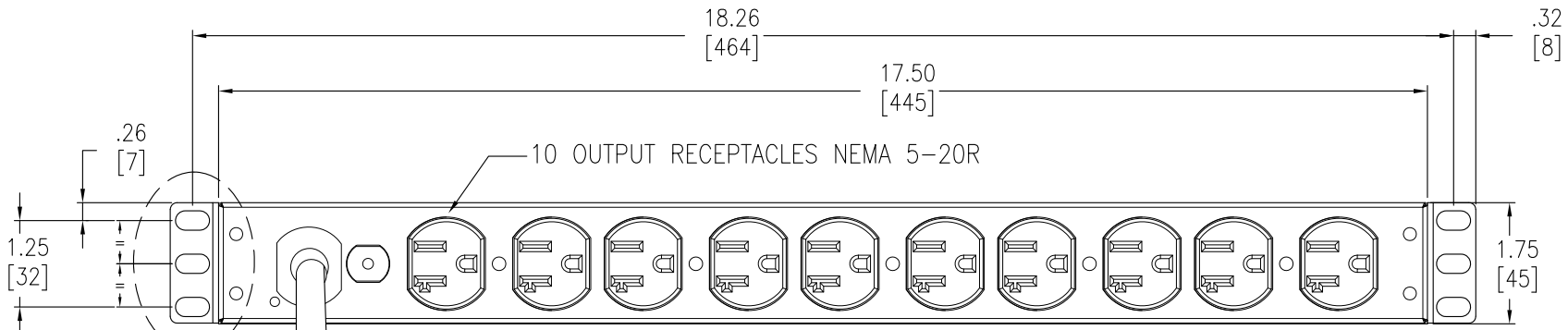


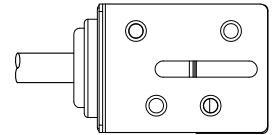
VIEW A
(MOUNTING BRACKET-ENLARGED)



DETAIL B
(NEMA 5-20P PLUG-ENLARGED)



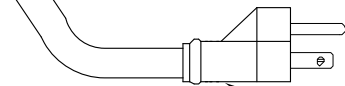
FRONT VIEW



SIDE VIEW

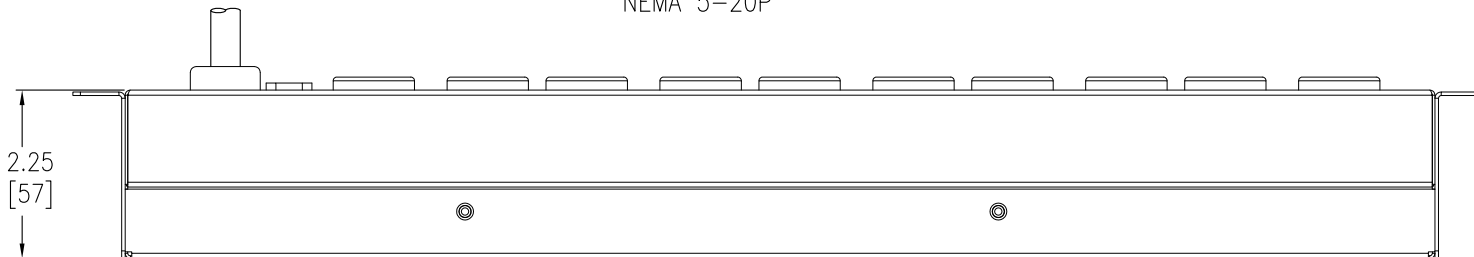
SEE VIEW A

CORD LENGTH 144 INCHES [3658 mm]



DETAIL B

NEMA 5-20P

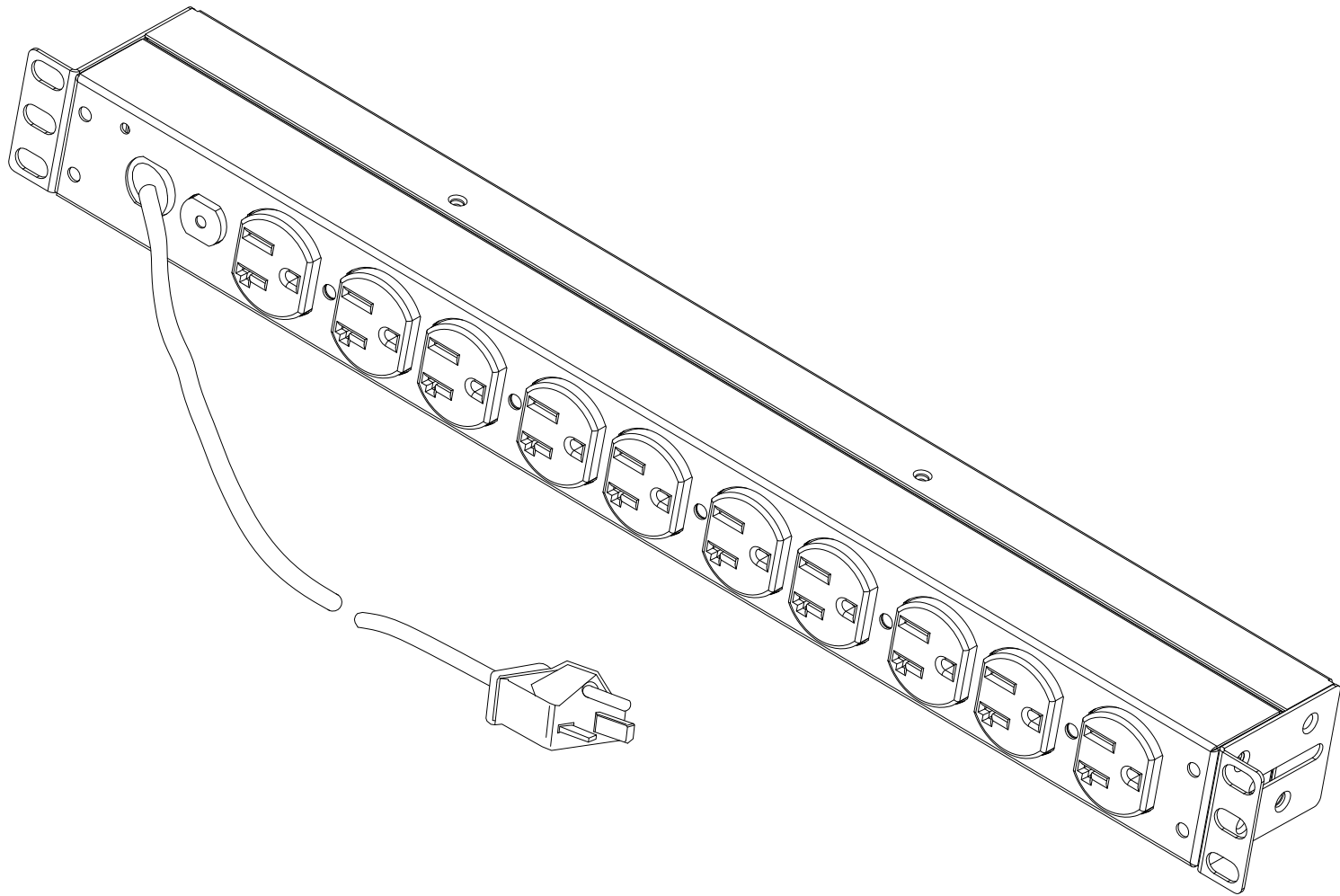


BOTTOM VIEW

NOTES:

1. INSTALLATION SHALL COMPLY WITH ALL APPLICABLE NATIONAL, STATE AND LOCAL CODES.
2. NET WEIGHT OF UNIT IS 5.50 LBS [2.50 kg].
3. LENGTH OF THE CORD IS 144.00IN [3657MM].
4. UNLESS OTHERWISE SPECIFIED, ALL DIMENSIONS ARE IN INCHES [MILLIMETERS].

RA5110-520-20A-520



RA5110-520-20A-520