

ID-H17P-LED 17" High Brightness LCD w/ LED-backlit Display

Universal open frame mounting



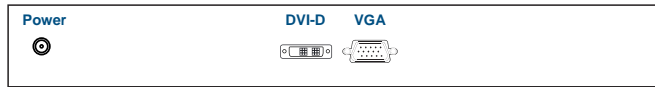
Display Benefits

- ▶ 17" LCD with high brightness 1000 cd/m²
- ▶ Green LED-backlit panel technology
- ▶ Rugged construction against external impact

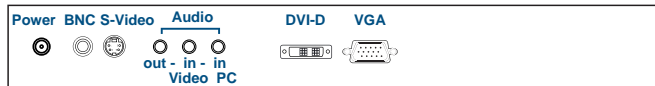
Options

- **MC** Multi-display control solution
- 17" Touchscreen : Capacitive, Resistive
- S-Video + Composite (BNC) or Audio input
- HDMI or DVI-D (either one for AV2.2 upgrade)
- MIL-type or lockable connector
- 48V or 24VDC power
- Quad display for CCTV
- TV - Analog
- Auto / switch dimming

Basic I/O



AV2.2D upgrade I/O



AV2.2H upgrade I/O



Specifications

• LCD Panel

Size (diagonal) :	17" TFT
Max resolution :	1280 x 1024
Brightness (cd/m ²) :	1000
Backlight :	LED
Colors :	16.7 M
Contrast ratio (typ) :	1000 : 1
Viewing angle (H/V) :	170° x 160°
Active area (mm) :	338 x 270
MTBF (hrs) :	50,000
Signal input :	DVI-D / VGA

• Weight

Net : 4.9 kgs (10.8 lbs)

• Mounting :

Universal mount / VESA mount

• Environmental

Operating :	0 to 50°C Degree
Storage :	-5 to 60°C Degree
Relative humidity :	5~90%, non-condensing
Shock :	10G acceleration (11 ms duration)
Vibration :	5~500Hz 1G RMS random vibration

• Casing Color :

Dark grey (RAL 7037)

• Regulatory :

FCC, CE, RoHS

• Power

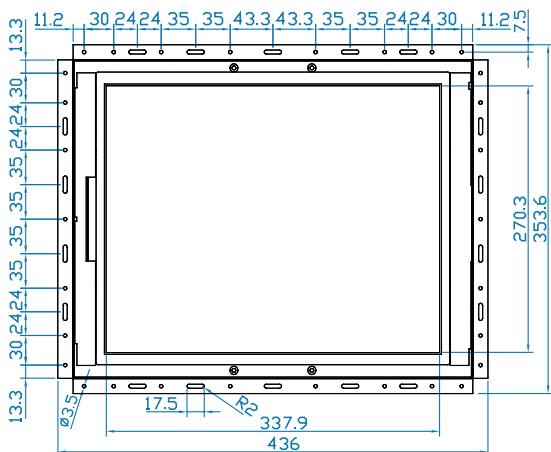
Input :	Auto-sensing 100 to 240VAC, 50 / 60Hz
Consumption :	Max. 84 Watt, Standby 5 Watt

• Dimensions

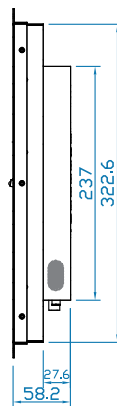
Product : 436 x 58.2 x 354 mm / 17.2 x 2.3 x 13.9 inch

Diagrams (mm)

Front View



Side View



Rear View

