



MiFARE  
Green LED

Proximity  
Blue LED



Cabinet level access security has become critically important for all data centers and server rooms. More and more IT managers have recognized this need and are upgrading their cabinets with smartcard access control. To meet the increasing needs, Synergy Global Technology Inc, offers the Intelligent Door Locks at affordable prices.

## Key Benefits

### >>> Affordable Price

A basic cabinet can be upgraded with Intelligent Door Lock access control at an affordable price.

### >>> Quality Products & Service Commitment

We are committed to providing high quality products and services. All purchases of our long life products with 2 years warranty standard can be upgraded to 5 years.

### >>> Simple Components & Easy Installation

The key hardware components for each cabinet just consists of a pair of Intelligent Door Locks, two door sensors and cable accessories. The hardware installation is so easy that even the end-users can do it. Both Left and Right opening handle models are available.

### >>> LED for Clear Lock Status Indication

Three LED color modes on the Intelligent Door Locks indicate the lock status clearly. An authorized unlock is signaled by a silver white flashing LED. Unauthorized cabinet access will result in a red flashing LED following with an audible alarm while the handles are equipped with door sensors.

### >>> Proximity & MiFARE Compatible

Compatibility issues between different access card standards are a major consideration when deploying a smartcard system. The Intelligent Door Lock series caters for the two most common smartcard alternatives – the Proximity & MiFARE. User's existing smartcard can be used on DL-1001 if it is in either of the above.

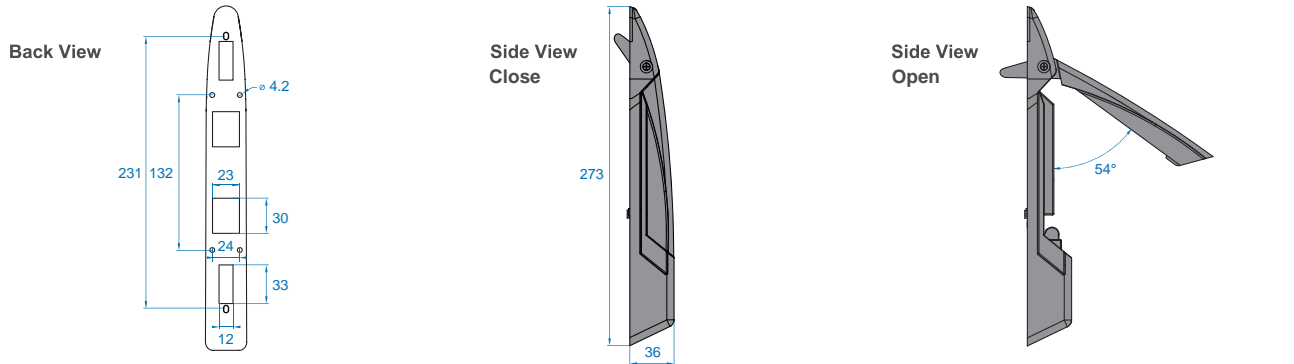
### >>> Dual Card Authentication by Administrator and User Cards

DL-1001 offers an administrator card option to provide dual card authentication cabinet access. Unless the administrator card detects in advance, the Intelligent Door Lock cannot be unlocked by the user smartcard. The dual card authentication access makes sure that any authorization door opening is fully under the data center's monitoring.

## DL-1001

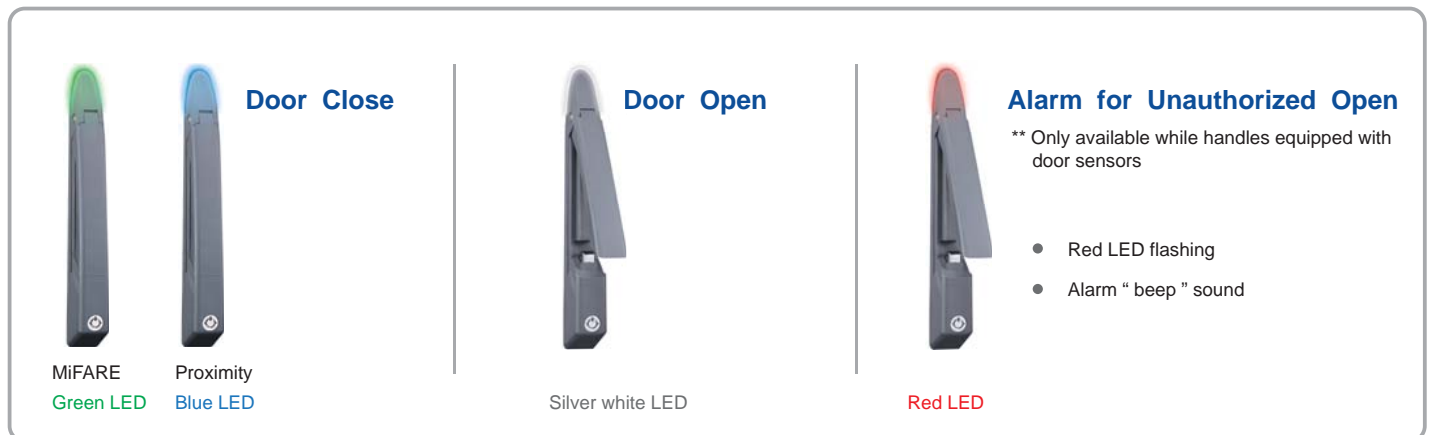
The patented DL-1001 mounting is specially for CR16xx Series Cabinet. Nevertheless, the cabinet manufacturers just need to make a custom handle mounting cut-out on the door to suit DL-1001. It is an alternative for users who look for a door lock with a stylish and different outlook design.

### Mounting Cut-out



## Handle LED for Lock Status Indication

The LED color on DL-1001 Intelligent Cabinet Door Lock provides the clear indication on the lock status. User can view the handle lock status just by LED handle colors.



## Door Sensor

Optional door sensor is an essential item for alarm functions. User can be alerted by visual and audio alarm for unauthorized door opening.

Two door sensors are offered in order to suit different sensor integration scenarios.

### ( I ) Inductive Door Sensor



- light weight / adhesive
- mini size ( 32.5 x 12.2 x 9.2 mm )
- no custom cutting required on doors
- easy for existing cabinet retrofit
- with 2m cord

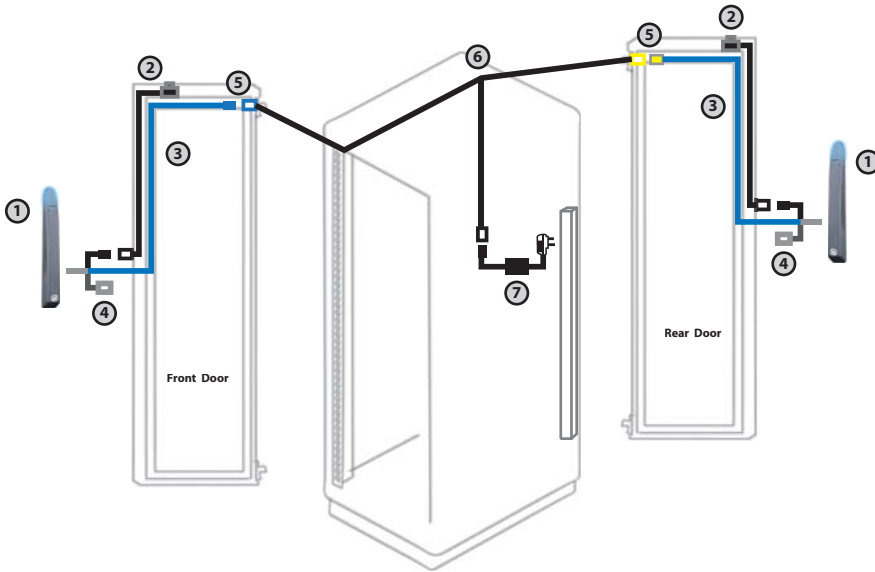
### ( II ) Mechanical Door Sensor



- low cost / precise
- size ( 52 x 22.5 x 30.75 mm )
- cost efficient integration to new cabinet
- custom cutting required on doors
- with 2m cord

**Quick Installation**

Intelligent Door Lock installation is simple and quick - it just involves the smartcard handles, door sensors and easy cabling.



- ① DL-1001P Proximity or DL-1001M MiFARE smartcard handle : 2pcs for front & rear door, with cables to connect ② ③ ④
- ② Optional door sensor with cable : 2pcs for front & rear door ( 2m )
- ③ Power cable ( door section ) : 2pcs for front & rear door ( 2m )
- ④ Data input connector ( for handle activation / data input / configuration )
- ⑤ Joint connector of ③ & ⑥
- ⑥ Y-Power cable ( cabinet section )
- ⑦ Universal Auto switching 2.5A power adapter & 6' power cord

**Free & User friendly Software**

Intelligent Door Lock provides two user-friendly software free. **UTILITIES** is ideal for the initial setup and simple operation. To look for relatively high requirements like the reporting feature and password security, **MANAGER** will be the one you should apply for.

Software Features	Utilities	Manager
Max. 500 pairs of handle		✓
Max. 50 user card authentication per handle	✓	✓
Dual or single card mode authentication **	✓	✓
Enable or disable door sensor detection **	✓	✓
Detailed user card information		✓
Reporting on configuration details		✓
Log in password		✓

\*\* Optional feature

Utilities

**Handle Information**

Handle ID: SHID-01FD701DE8A  
 Model no.: S-600P  
 Type: Proximity  
 Last updated: 2013 / 04 / 16 17:09

**Handle Location**

Zone: Demo\_Zone\_A  
 Rack: Demo\_Rack\_A  
 Handle position:  Front  Rear

**Door Sensor**

Disable  Enable  
Ensure you have ordered door sensors and finished the installation and connection. Otherwise, DO NOT enable door sensor as it will cause malfunction.

**Card Access Mode**

Normal ( User card only )  
 Dual card authentication ( Administrator card + User card )

Buttons: Apply, Cancel, Export, Import

Status: Synchronizing data with handle [ SHID-01FD701DE8A ].....100%

**Card Assignment ( Max. 50 )**

Card ID#	Delete
00104531	26
000028126	27
10800074	28
00105200	29
10803508	30
10803513	31
10803512	32
00104532	33
10800077	34
00105308	35
00105209	36
00104534	37
10803353	38
10803325	39
000028125	40
000028128	41
10800088	42
10800079	43
00104452	44
00104823	45
00104618	46
00105311	47
00105671	48
00105689	49
00105666	50

Manager

**SmartCard Handle**

View  
Setting  
Event  
Report  
Backup  
Restore

**Help**

User Manual  
FAQ  
Trouble shooting  
Support

**Event**

First / Previous 1 2 3 4 5 6 7 8 9 10 Next / Last Last 2000 Events.

Date	Time	Event	Description
2013/04/12	18:19:23	Handle	Enable SHID-01FD162C77E Door Sensor
2013/04/12	18:19:22	Handle	Change SHID-01FD162C77E Position - rear
2013/04/12	18:19:21	Handle	Change SHID-01FD162C77E Rack - 59889
2013/04/12	18:19:20	Handle	Change SHID-01FD162C77E Zone - 5989898
2013/04/12	18:19:19	Handle	Delete SHID-01FD162C77E Card Holder - 1231
2013/04/12	17:59:43	Administrator Card Holder	Add Administrator Card Holder - 265 156156(161)
2013/04/12	17:46:33	Handle	Disable SHID-01FD162C77E Door Sensor
2013/04/12	17:46:32	Handle	Change SHID-01FD162C77E Position - front

## Order Tips

### >> Intelligent Door Lock model - Proximity OR MiFARE

Model	Proximity	MiFARE
DL-1001P	✓	
DL-1001M		✓

### >> Order the handle data input cable ( DLS-201 )

At least one data input cable for each installation site.

### >> Optional door sensor - Inductive ( DLS-102 ) OR Mechanical ( DLS-101 )

Door sensor is essential for visual & audio alarm and able to achieve a more user-friendly operation.

Skip the option If audio & visual alarm is not required.

### >> Select the free software - Utilities OR Manager

Intelligent Door Lock provides two user-friendly software free. Utilities is ideal for the initial setup and simple operation. To look for relatively high requirements like the reporting feature, Manager will be the one you should apply for.

### >> Pick the right power plug

Different power cords for selection :



## Value-Add Options

### >> Enjoy the warranty upgrade from 2 years to 5 years



### >> Upgrade key lock

- Individual key lock ( DLS-501 )
- Unique key lock ( Call for options )
- Up to 500 individual key-locks available
- Unique key dedicated to single project / customer regionally
- For project size over 500 cabinets

### >> Order smartcard & card reader

- Proximity 26-bit Smartcard ( DLS-401P )
- MiFARE 26-bit Smartcard ( DLS-401M )
- Proximity Smartcard Reader ( DLS-402P )
- MiFARE Smartcard Reader ( DLS-402M )

### >> Consider dual card authentication for additional security



( DLS-301 )

## Optional Accessories

Inductive door sensor, pair ( DLS-102 )

- Light weight, mini size & adhesive
- No custom cutting required on doors
- Easy for existing cabinet retrofit or integration to new cabinet

Mechanical door sensor, pair ( DLS-101 )

- Low cost
- Precise
- Cost efficient integration to new cabinet
- Custom cutting required on doors

Handle data input cable, pc ( DLS-201 )

- Connect the smartcard handle to the laptop for handle activation, data input & configuration

Individual key lock, set of 2 for front & rear door ( DLS-501 )

- Up to 500 individual key-locks available

Unique key lock ( CALL FOR OPTIONS )

- Unique key dedicated to single project / customer regionally
- For project size over 500 cabinets

Dual card authentication ( DLS-301 )

- Software upgrade for additional security
- Cabinet access by administrator card + user card

\*\* Order this option before the delivery

Proximity smartcard, pack of 10 ( DLS-401P )

- Proximity 26-bit format
- Single card for multiple application
- Custom card layout available

MiFARE smartcard, pack of 10 ( DLS-401M )

- MiFARE 26-bit format
- Single card for multiple application
- Custom card layout available

Proximity card reader ( DLS-402P )

- Proximity 26-bit smartcard compatible
- Convenient way for smartcard ID reading
- Driverless for easy installation

MiFARE card reader ( DLS-402M )

- MiFARE 26-bit smartcard compatible
- Convenient way for smartcard ID reading
- Driverless for easy installation