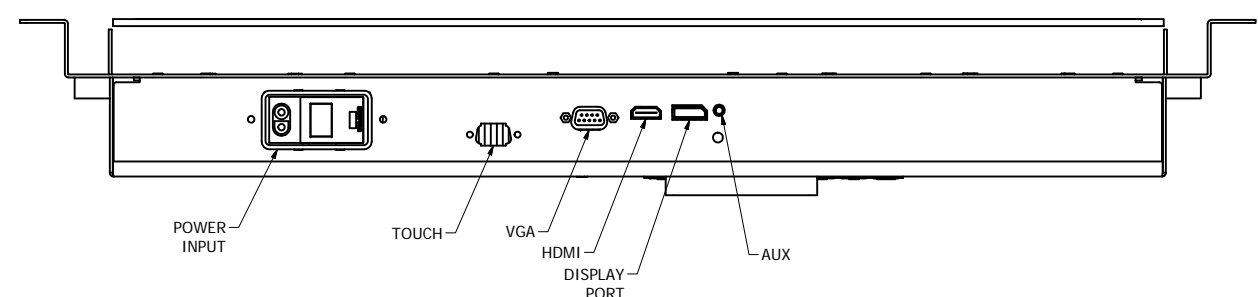
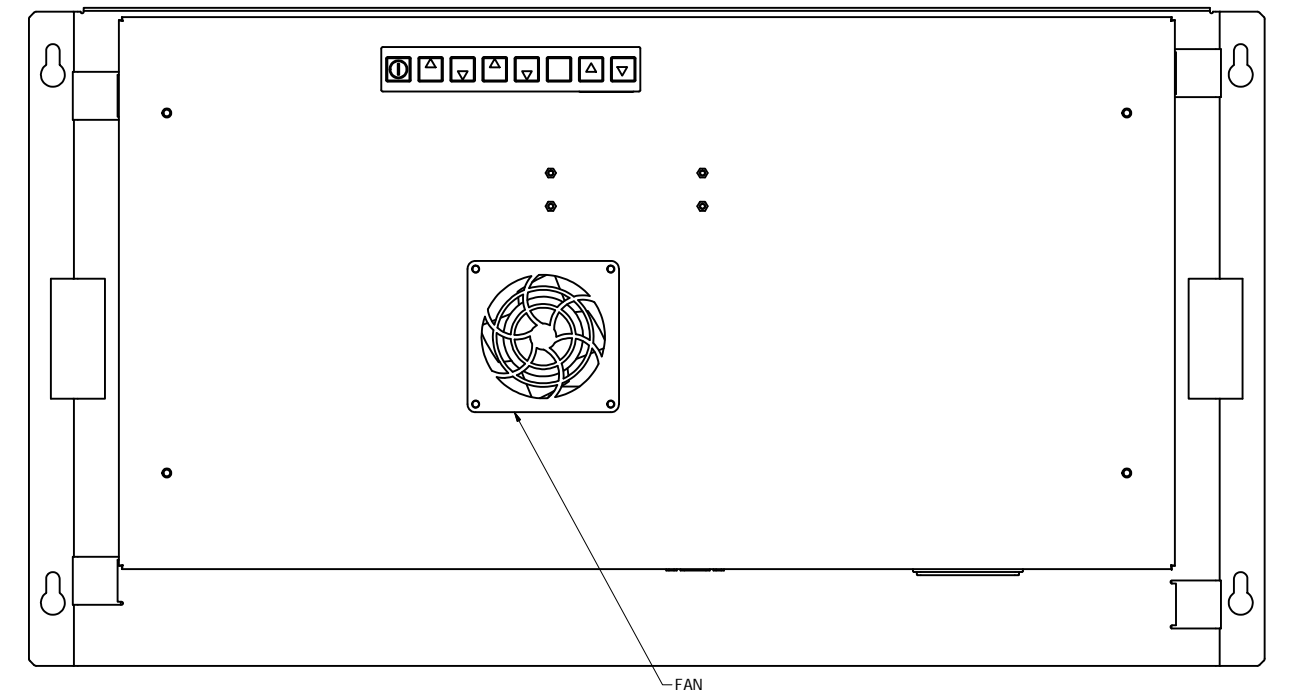
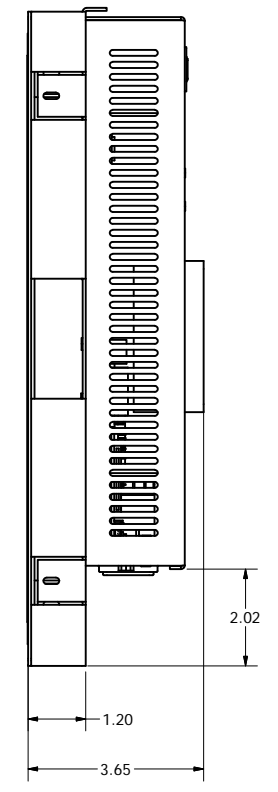
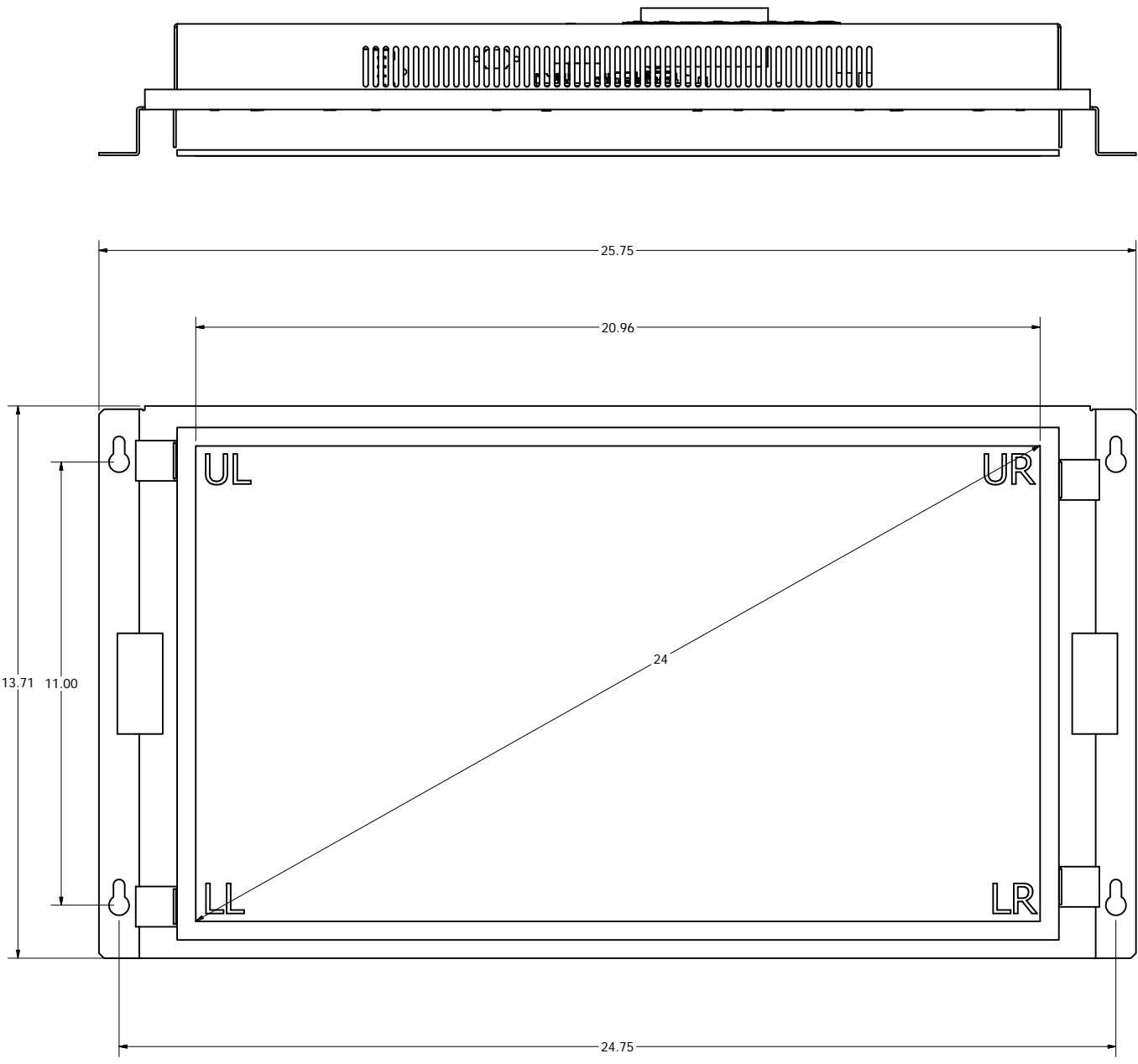
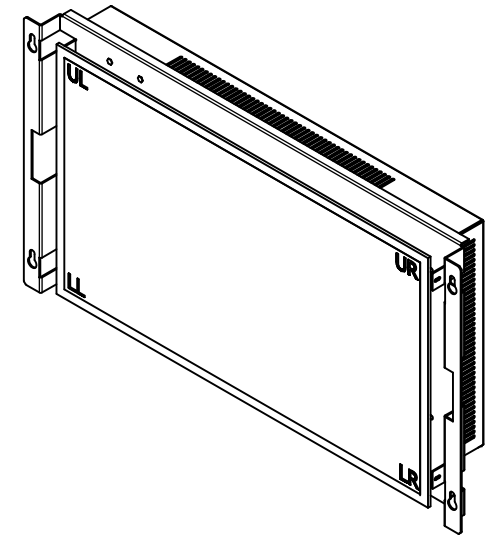


REVISION HISTORY				
ZONE	REV	DESCRIPTION	DATE	APPROVED
	1		11/19/2014	



Synergy Global Technology Inc
www.RackmountMart.com

DRAWN		ID-11-H24Pw TITLE OUTLINE DRAWING			
CHECKED					
QA					
MFG					
APPROVED					
USED ON	MATERIAL:	SIZE D	TOLERANCES: .XX = .01 .XXX = .005	DWG NO 	REV 1
APPLICATION		FINISH:			SHEET 1 OF 1