



**Key Benefits**

- ▶ 1280 x 1024 native resolution
- ▶ 16.7 M colors
- ▶ HDMI 1.4 & VGA video input ; Optional DP & DVI-D
- ▶ Video decoding capability up to 1080p ( option )
- ▶ Rugged structure ensures high mobility
- ▶ Universal mount
- ▶ Professional-use durability & around-the-clock operation

**Applications**

- Broadcasting / Advertising
- Traffic control / Command center
- Directory / Ticket kiosk
- Surveillance system
- Vehicle mount display
- Bathroom TV

**Options**

**Video Management & Transmission over Network**

- Multi Monitor OSD Control Module over serial
- 3G / HD / SD-SDI Input Module
- Auto / Manual Brightness Dimming Module (for High Bright model)

**Bezel & Frame Customization**

- Dimension
- Color & Treatment
- Screen Printing
- Stainless Steel Bezel

**Touchscreen & Glass Protection**

- Resistive 1-point Touch
- Capacitive 1-point Touch
- Projected Capacitive 10-point Touch
- Anti-reflective Glass
- Vandal Proof Glass

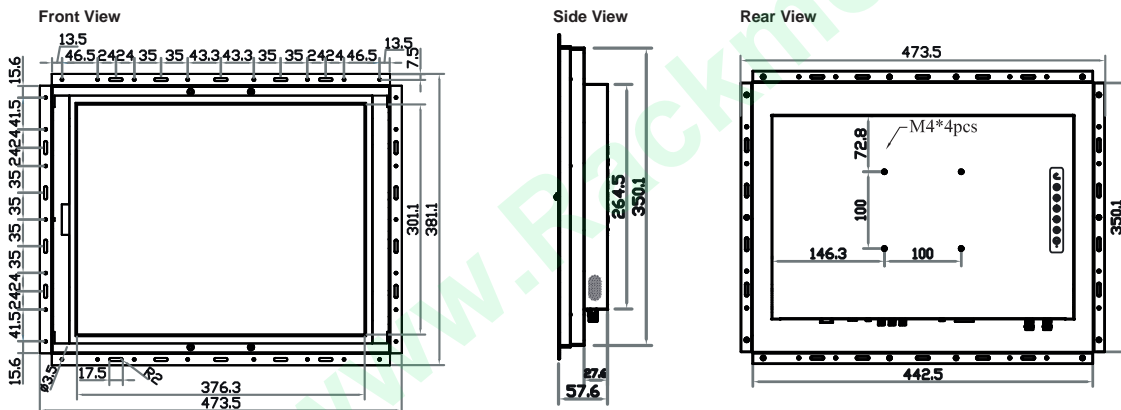
**DC Power & connector**

- 12V / 24V / 48V / 110V / 125V / 250VDC
- MIL-type or lockable connector

**Mounting**

- VESA mount kit

**Diagrams ( mm )**



## Product Specifications

LCD Panel	ID-19P	ID-H19P
Brightness (cd/m <sup>2</sup> )	250	1000
Contrast ratio (typ.)	1000 : 1	
MTBF (hrs)	30,000	
Panel size (diagonal)	19"	
Native resolution	1280 x 1024	
Colors	16.7M	
Viewing angle (L/R/U/D)	85/85/80/80	
Response time (ms)	5	
Dot pitch (mm)	0.294	
Display area (mm)	376.32H x 301.06V	
Surface treatment	Haze 25% Hard-coating	
Surface hardness	3H	
Backlight type	LED	

Video	
VGA	Analog 0.7Vp-p
HDMI	HDMI 1.4 / HDCP 1.4

Video Option	
DVI-D	DVI-D single link
Composite (BNC)	NTSC & PAL

Audio	
Audio input :	
Connector	3.5mm stereo jack
Impedance / Power level	30kΩ / 750mV
Audio output :	
Connector	3.5mm stereo jack
Resistance / Power level	30kΩ / 2.8V
Speaker :	
Dual stereo speaker	2W x 2

\*When the audio output is connected, speaker output is OFF

Power	ID-19P	ID-H19P
Input	Auto-sensing 100 to 240VAC, 50 / 60Hz	
Consumption :		
Screen on	Max. 22W	Max. 39W
Power saving mode	Max. 4W	Max. 4W
Power button on	Max. 1W	Max. 1W

Environment	
Operating temp.	0 to 55°C degree
Storage temp.	-20 to 60°C degree
Operating humidity	10-90%, non-condensing
Storage humidity	5 -90%, non-condensing
Operating altitude	16,000 ft
Non-operating altitude	40,000 ft
Shock	10G acceleration ( 11ms duration )
Vibration	10-300Hz 0.5G RMS random vibration

Design	ID-19P / ID-H19P
Protection	Open frame
Front panel	-
Rear casing	Black, RAL 9005

Mounting	ID-19P / ID-H19P
VESA mount	100 x 100 mm
Universal mount	bundled
Desktop stand	-
Wall mount	-

Physical	ID-19P / ID-H19P
Product (W x D x H) :	
mm	473.5 x 57.6 x 381.1
inch	18.6 x 2.3 x 15
Net weight	5.7 kg / 12.5 lb

Compliance	
EMC	FCC & CE
Safety	CE / LVD & UKCA
Environment	REACH & RoHS3 / WEEE

VGA / DVI input	
PC signal	1280 x 1024 x 60 / 75Hz 1280 x 960 x 60Hz 1280 x 768 x 60 / 75Hz 1152 x 864 x 75Hz 1024 x 768 x 60 / 70 / 75Hz 848 x 480 x 60Hz 800 x 600 x 60 / 72 / 75Hz 720 x 400 x 70Hz 640 x 480 x 60 / 72 / 75Hz 640 x 400 x 70Hz 640 x 350 x 70Hz
Audio signal	2ch Linear PCM

HDMI input	
PC signal	Same as VGA
HDMI 1.3 / 1.2	1280 x 720 x 50 / 60Hz ( 720p ) 720 x 480 x 50 / 60Hz ( 576p / 480p )
Audio signal	2ch Linear PCM