

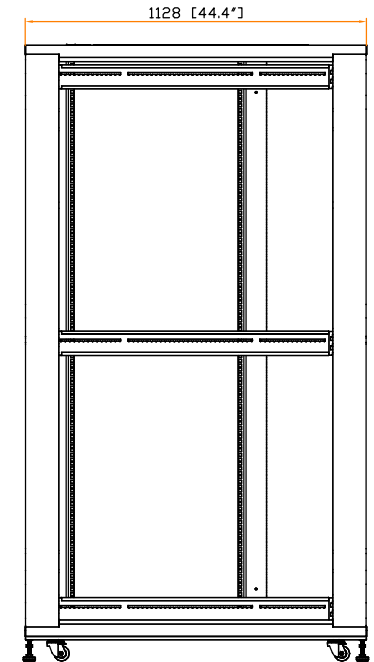
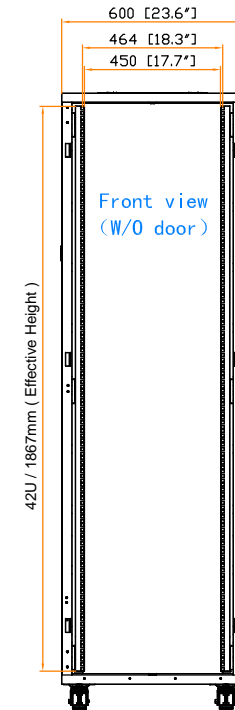
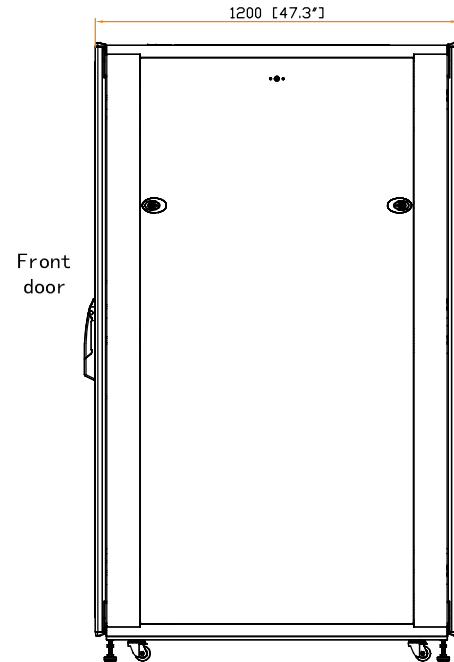
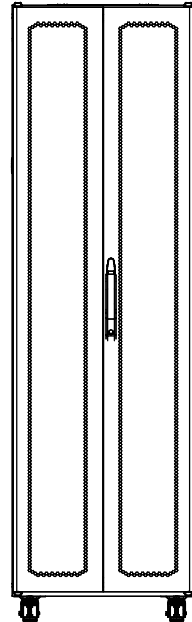
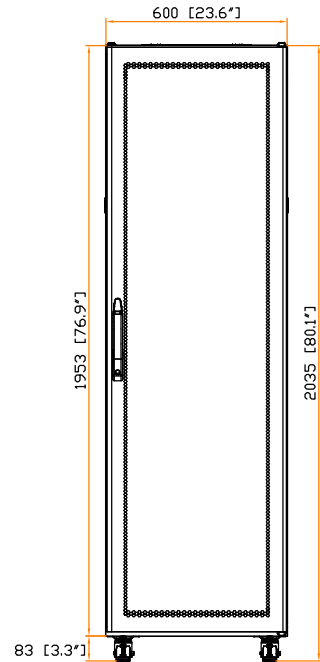
Front view

Rear view

Side view

600 [23.6"]

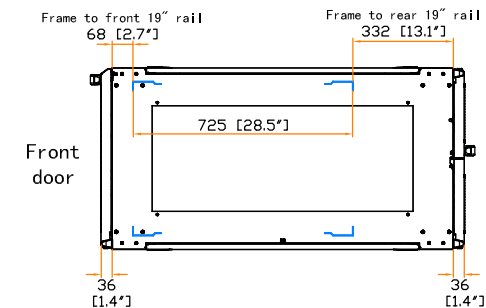
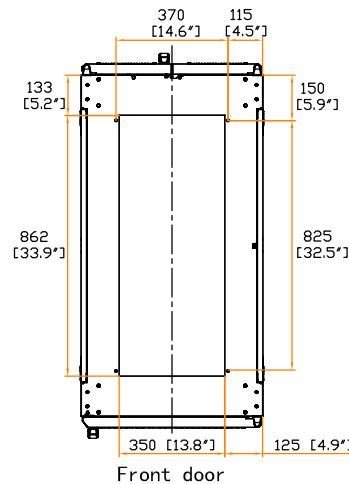
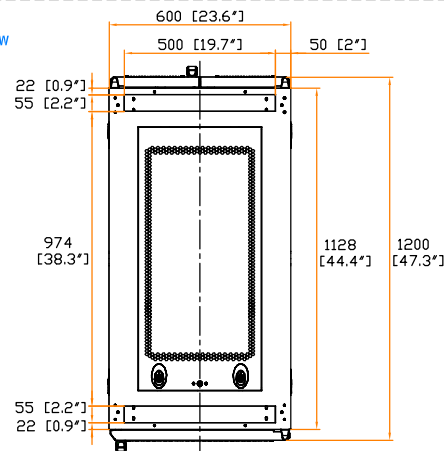
Side view(W/O side panel)



Top view

Bottom view

19" rail position



Front door

Front door



The company reserves the right to modify product specifications without prior notice and assumes no responsibility for any error which may appear in this publication.

Copyright 2013 Synergy Global Technology Inc. All rights reserved.

Dimension (Overall)	: 600 (W) x 1200 (D) x 2035 (H) mm / 23.6 (W) x 47.3 (D) x 80.1 (H) in.
Dimension (Effective)	: 600 (W) x 1128 (D) x 1867 (H) mm / 23.6 (W) x 44.4 (D) x 73.5 (H) in.
Net Weight	: 113.5kg / 249.7lb
Color	: Black (RAL-9005)
Static Loading	: 1000kg / 2200lb
Environmental	: RoHS2 & REACH compliant by SGS