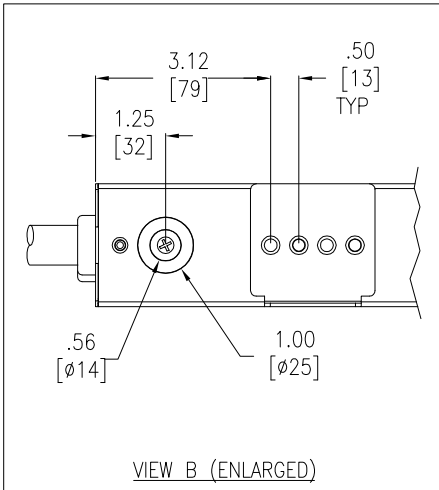
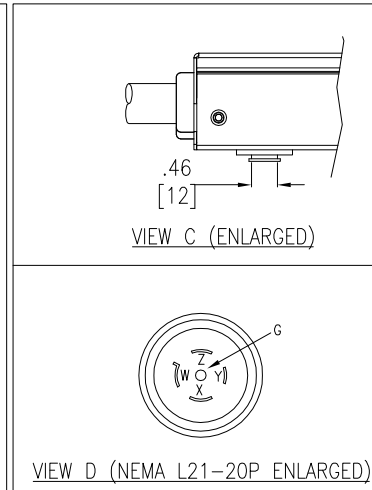


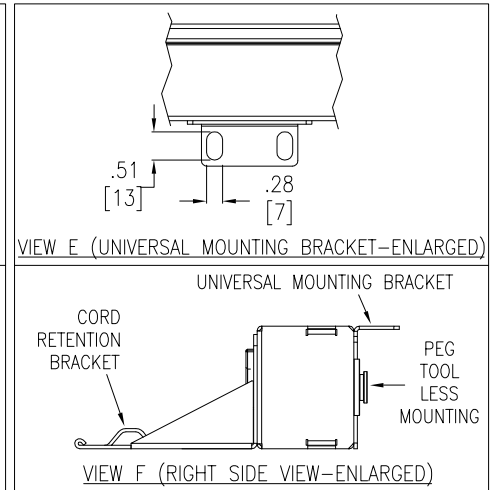
VIEW A (ENLARGED-DISPLAY INTERFACE)



VIEW B (ENLARGED)

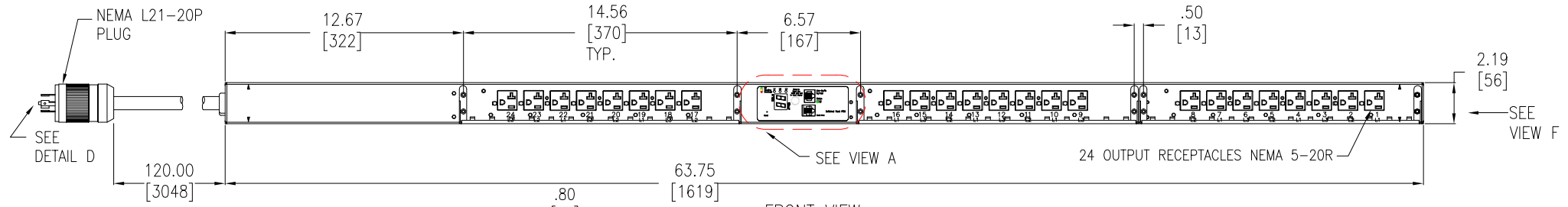


VIEW D (NEMA L21-20P ENLARGED)

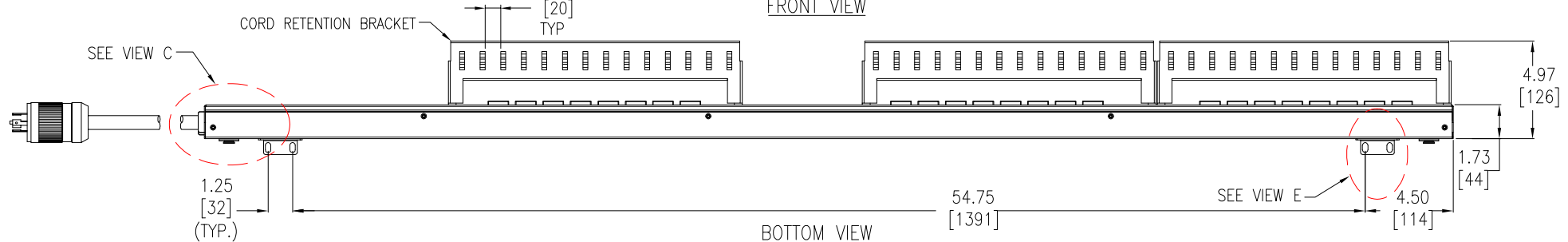


VIEW E (UNIVERSAL MOUNTING BRACKET-ENLARGED)

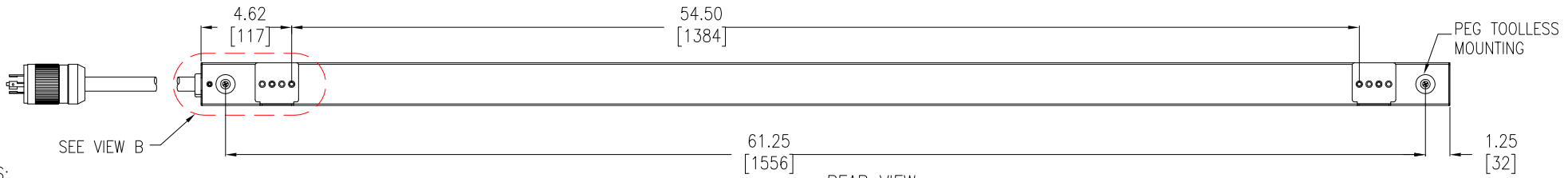
VIEW F (RIGHT SIDE VIEW-ENLARGED)



FRONT VIEW



BOTTOM VIEW



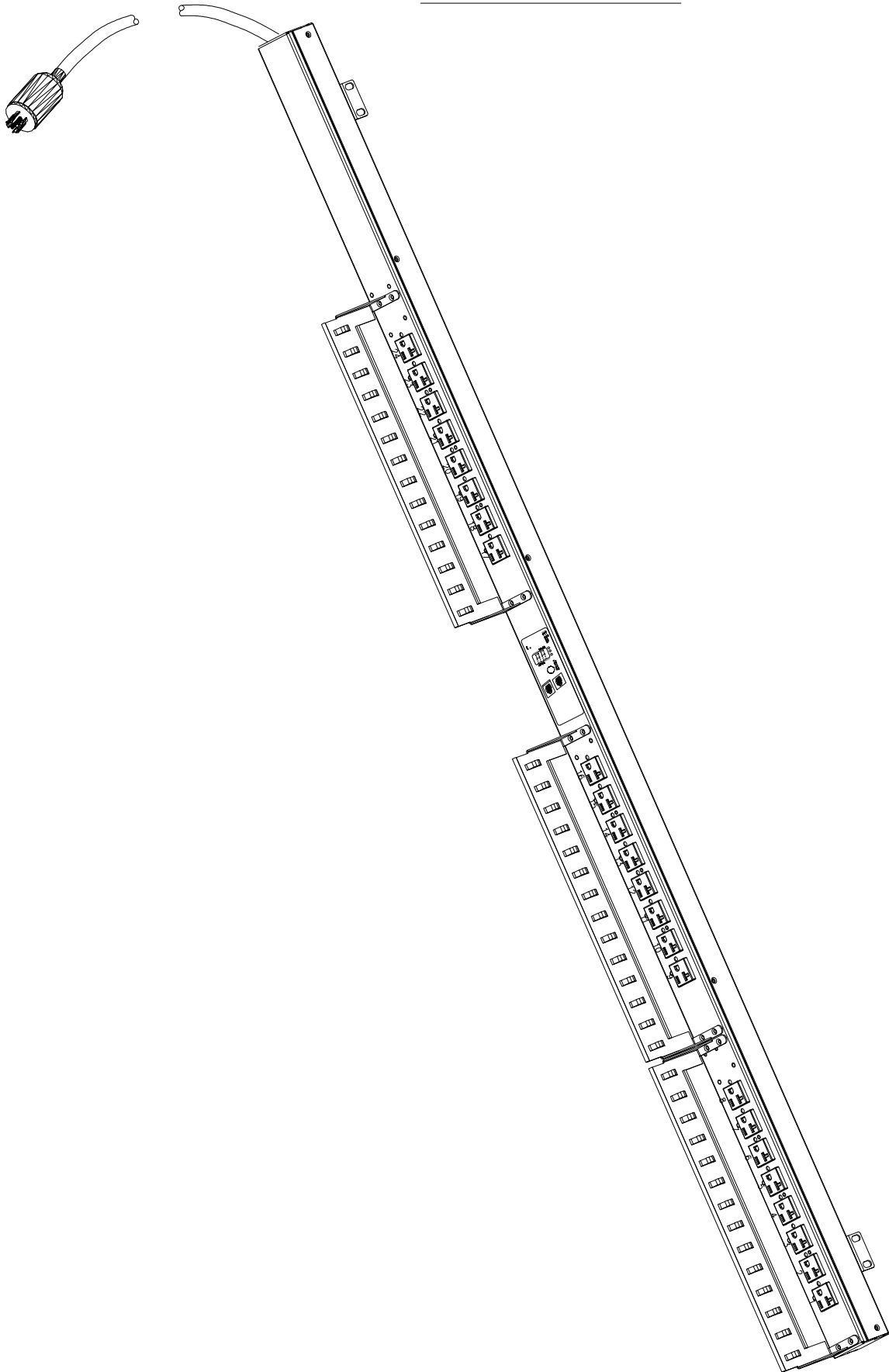
REAR VIEW

NOTES:

1. ALL DIMENSIONS ARE IN INCHES [MILLIMETERS].
2. NET WEIGHT IS 13 LBS [5.9kg]
3. UNIVERSAL MOUNTING BRACKET IS AN ALTERNATIVE MOUNTING METHOD TO THE TOOLLESS MOUNT FOR NON APC RACKS.
4. BRACKET KITS TO MOUNT TO SPECIFIC COMPETITORS RACKS ARE AVAILABLE AS OPTIONS.
5. INSTALLATION MUST COMPLY WITH ALL APPLICABLE NATIONAL AND LOCAL CODES.

<p>ASH-024-520-20A-L212-A</p>	<p>TITLE: RACK PDU, SWITCHED ZERO U, 5.7kW, 120V, INPUT: NEMA L21-20P OUTPUT: (24) NEMA 5-20R MAIN MECHANICAL</p>	<p>Synergy Global Technology Inc www.RackmountMart.com</p>
--------------------------------------	---	---

ISOMETRIC VIEW



ASH-024-520-20A-L212-A

TITLE: RACK PDU, SWITCHED
ZERO U, 5.7kW, 120V, INPUT: NEMA L21-20P
OUTPUT: (24) NEMA 5-20R
ISOMETRIC VIEW

SHEET 2 OF 2