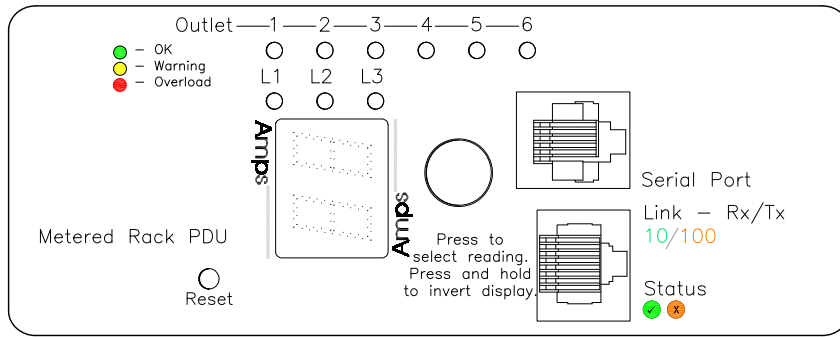
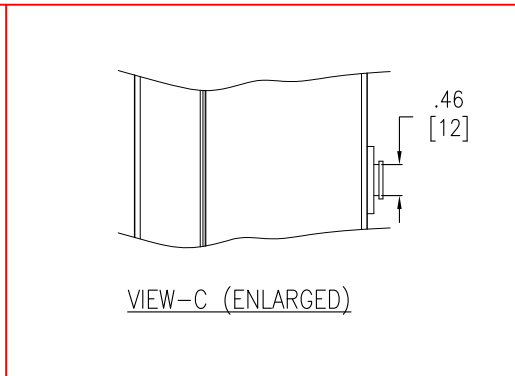
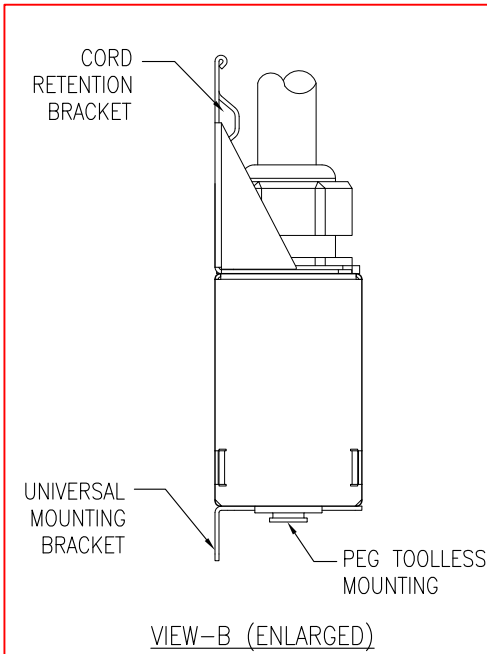


NOTES:

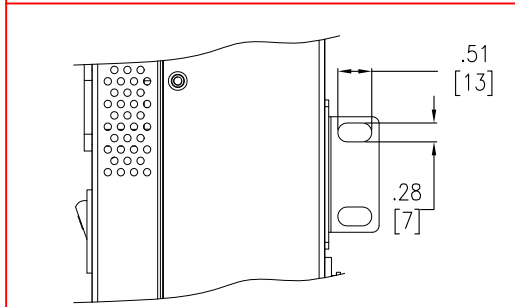
1. ALL DIMENSIONS ARE IN INCHES [MILLIMETERS].
2. NET WEIGHT IS 18.00 LBS [8.18 kg]
3. LENGTH OF THE CORD IS 72 INCHES [1830 mm].
4. UNIVERSAL MOUNTING BRACKET IS AN ALTERNATIVE MOUNTING METHOD TO THE TOOLLESS MOUNT
5. BRACKET KITS TO MOUNT TO SPECIFIC COMPETITORS RACKS ARE AVAILABLE AS OPTIONS.
6. INSTALLATION MUST COMPLY WITH ALL APPLICABLE NATIONAL AND LOCAL CODES.



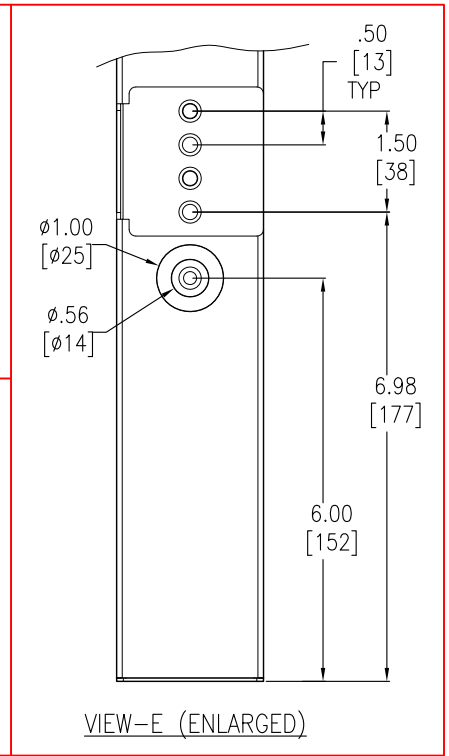
VIEW-A (DISPLAY INTERFACE-ENLARGED)



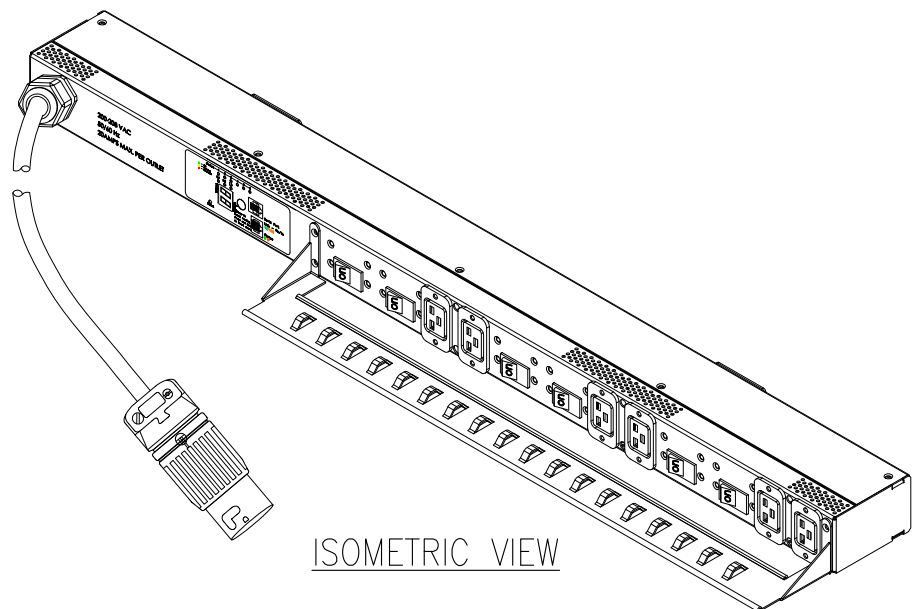
VIEW-C (ENLARGED)



VIEW-D (ENLARGED)



VIEW-E (ENLARGED)



NOTES:

1. ALL DIMENSIONS ARE IN INCHES [MILLIMETERS].
2. INSTALLATION MUST COMPLY WITH ALL APPLICABLE NATIONAL AND LOCAL CODES.